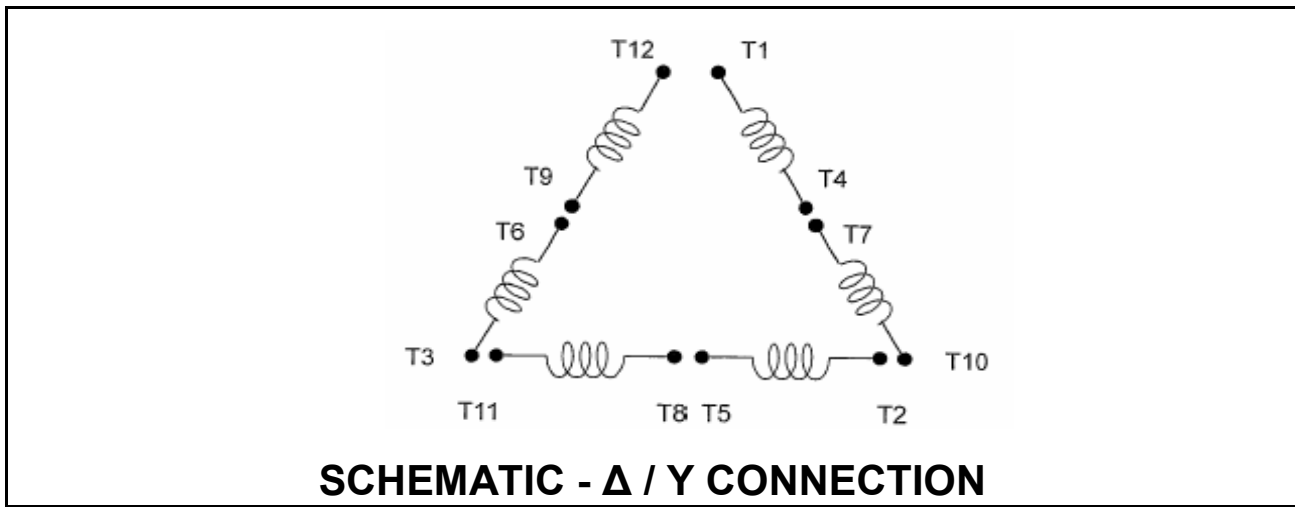
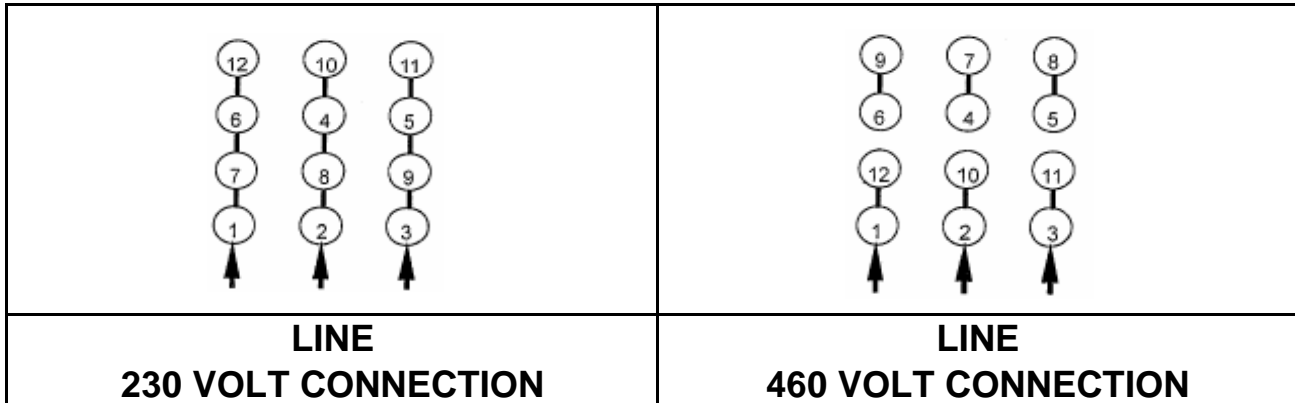


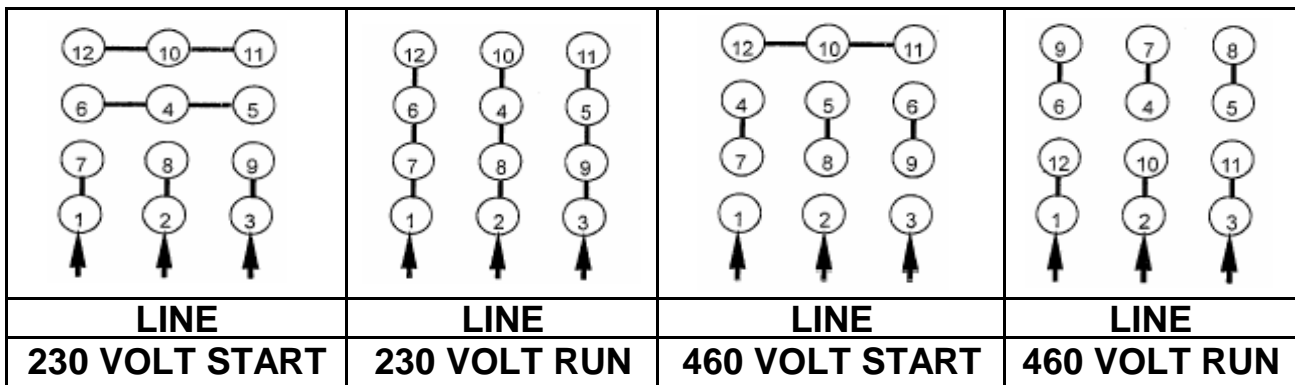
DATE: May 28, 2009	<b>CONNECTION DIAGRAM</b>	GP7/54
-----------------------	---------------------------	--------



### ACROSS THE LINE CONNECTION



### WYE START-DELTA RUN CONNECTION



	DWG NO. <b>DAC-1565-4</b>
--	------------------------------