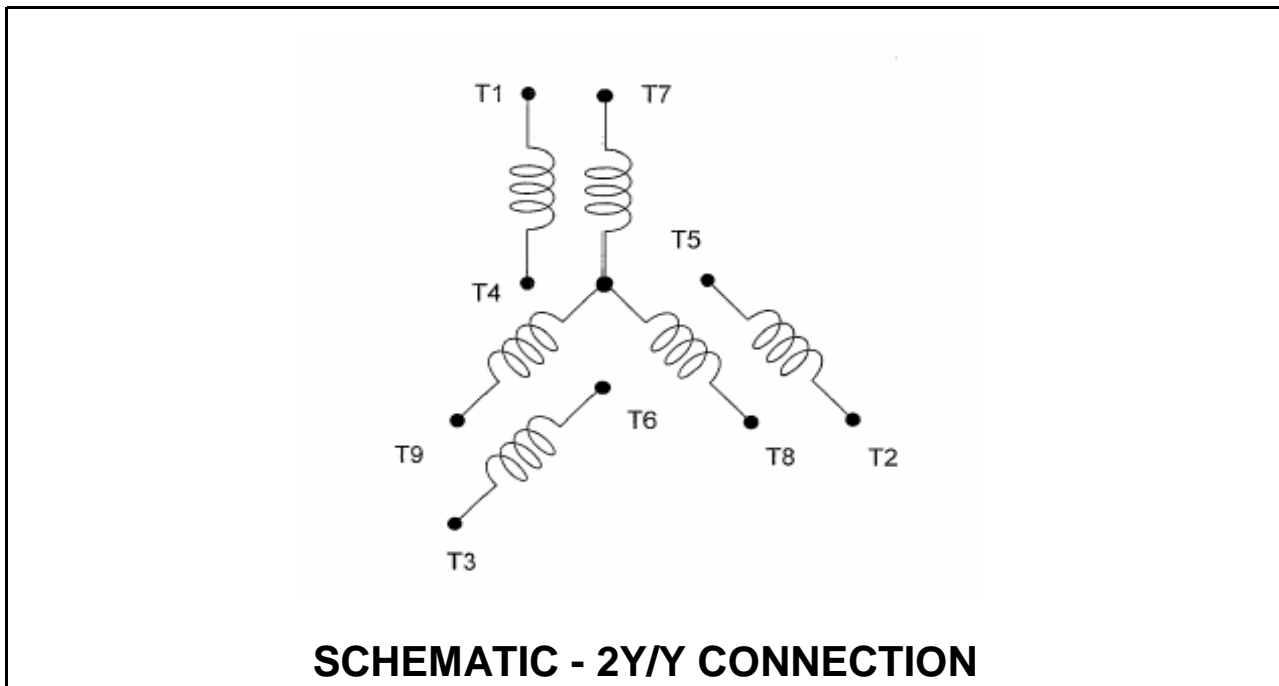


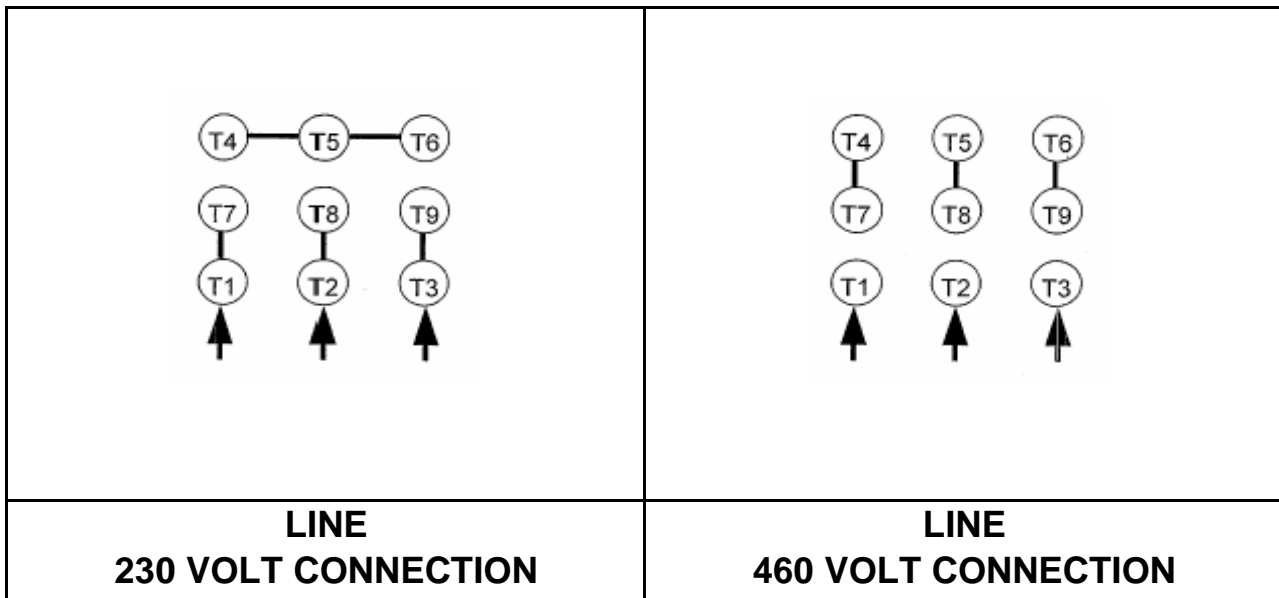
DATE:  
May 28, 2009

# CONNECTION DIAGRAM

CATALOG NO.:  
GP0016



## ACROSS THE LINE CONNECTION



DWG NO.  
**DAC-1566-2**