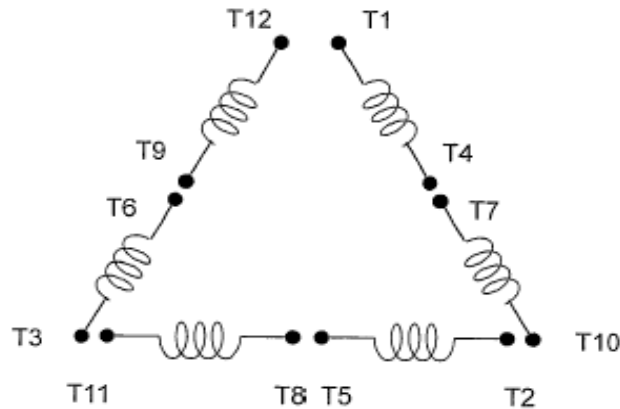


DATE:  
September 13, 2006

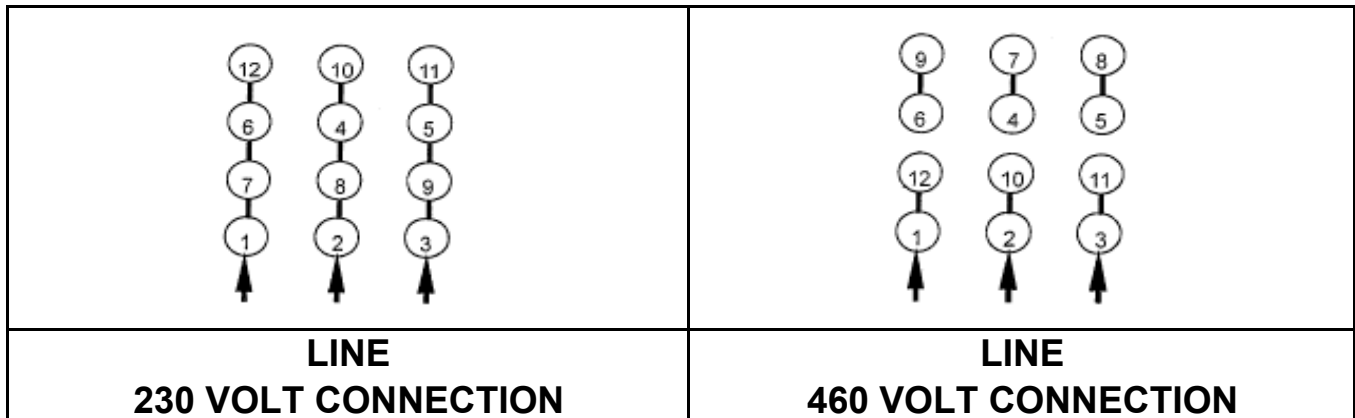
# CONNECTION DIAGRAM

CATALOG NO.:  
EP0402C

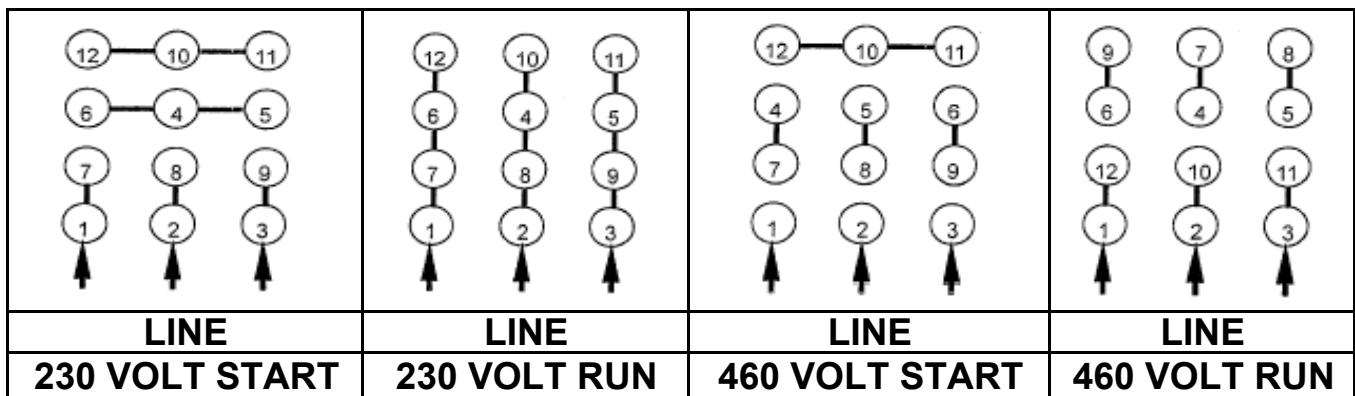


**SCHEMATIC - Δ / Y CONNECTION**

## ACROSS THE LINE CONNECTION



## WYE START-DELTA RUN CONNECTION



DWG NO.  
**DAC-1565-4**