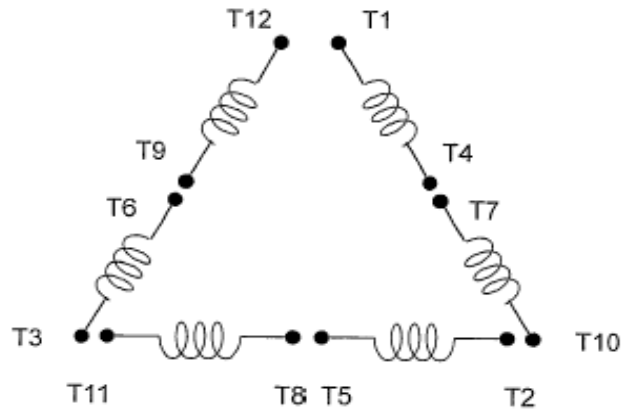


DATE:
September 13, 2006

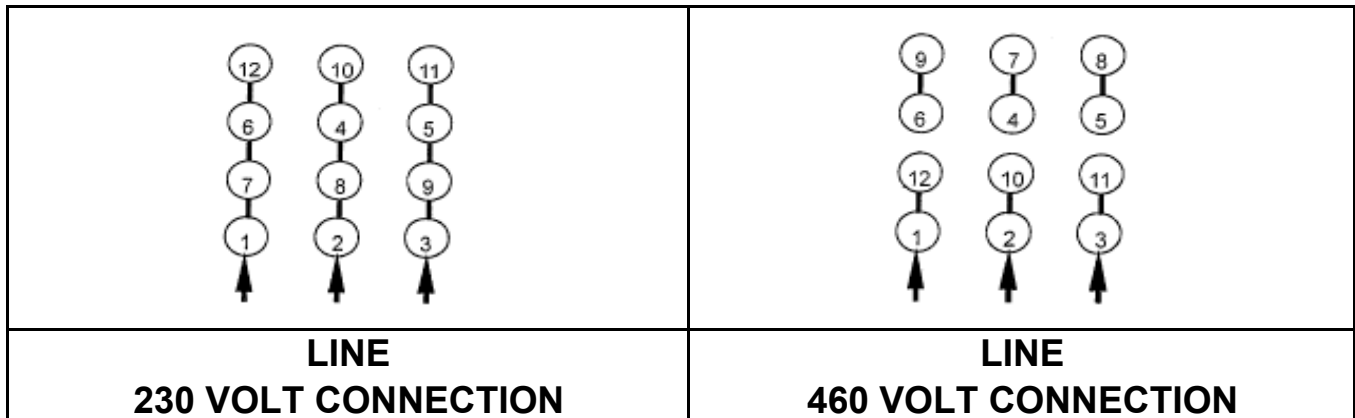
CONNECTION DIAGRAM

CATALOG NO.:
EP0102C

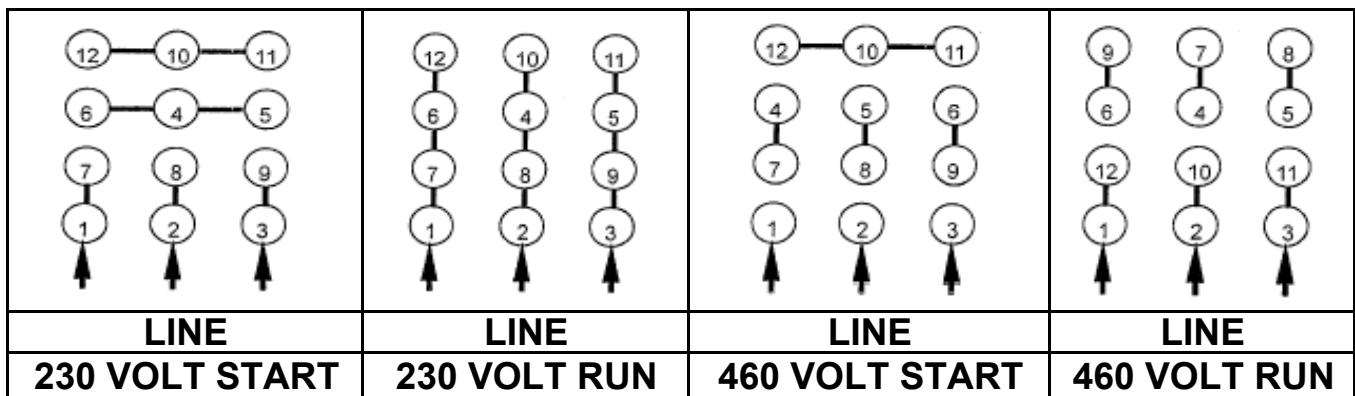


SCHEMATIC - Δ / Y CONNECTION

ACROSS THE LINE CONNECTION



WYE START-DELTA RUN CONNECTION



DWG NO.
DAC-1565-4