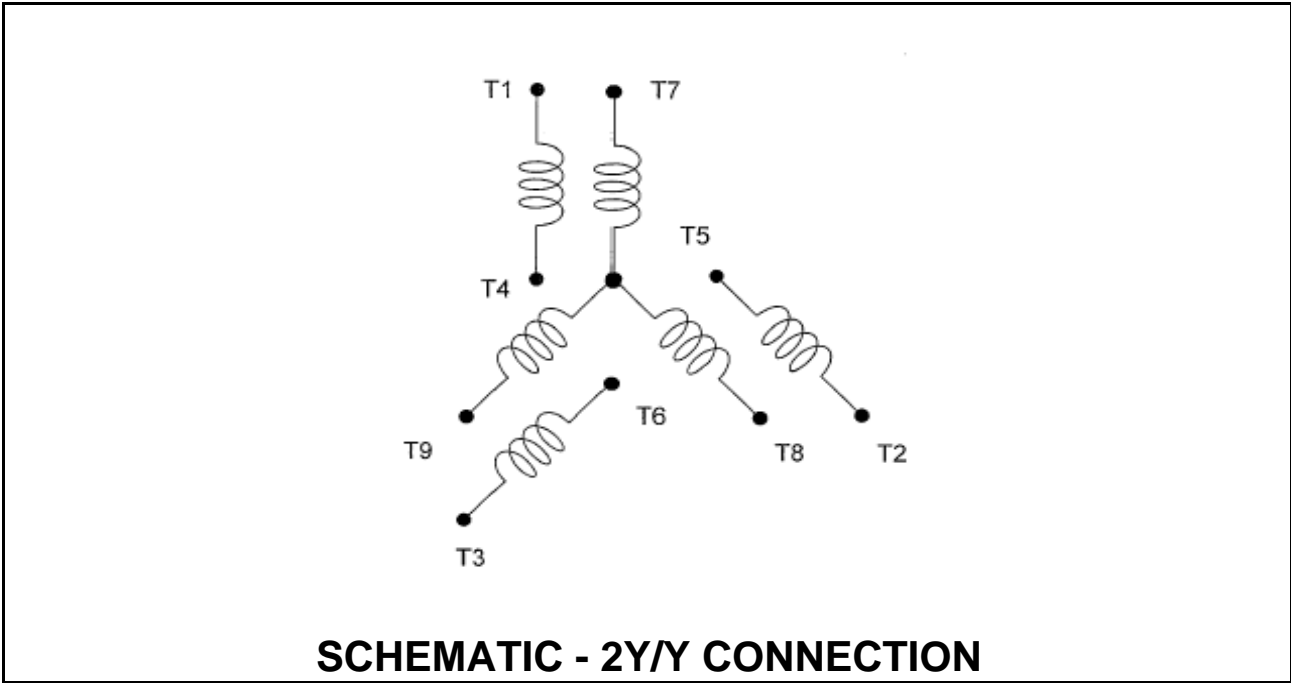


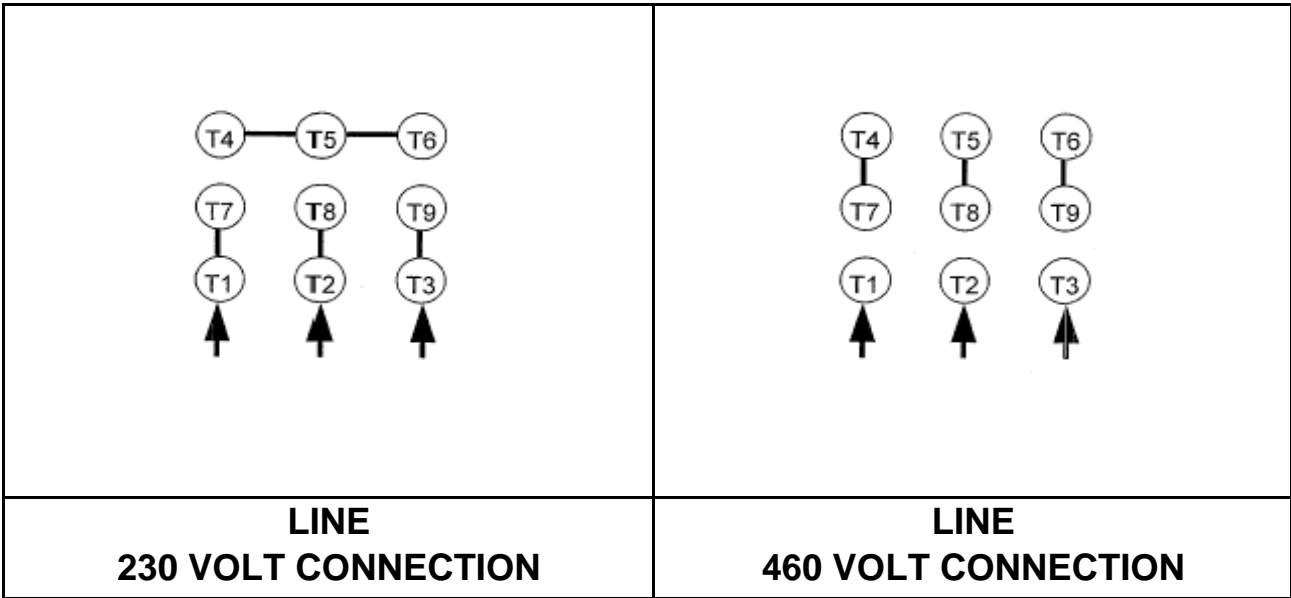
DATE:
September 13, 2006

CONNECTION DIAGRAM

CATALOG NO.:
EP0056C



ACROSS THE LINE CONNECTION



DWG NO.
DAC-1566-2