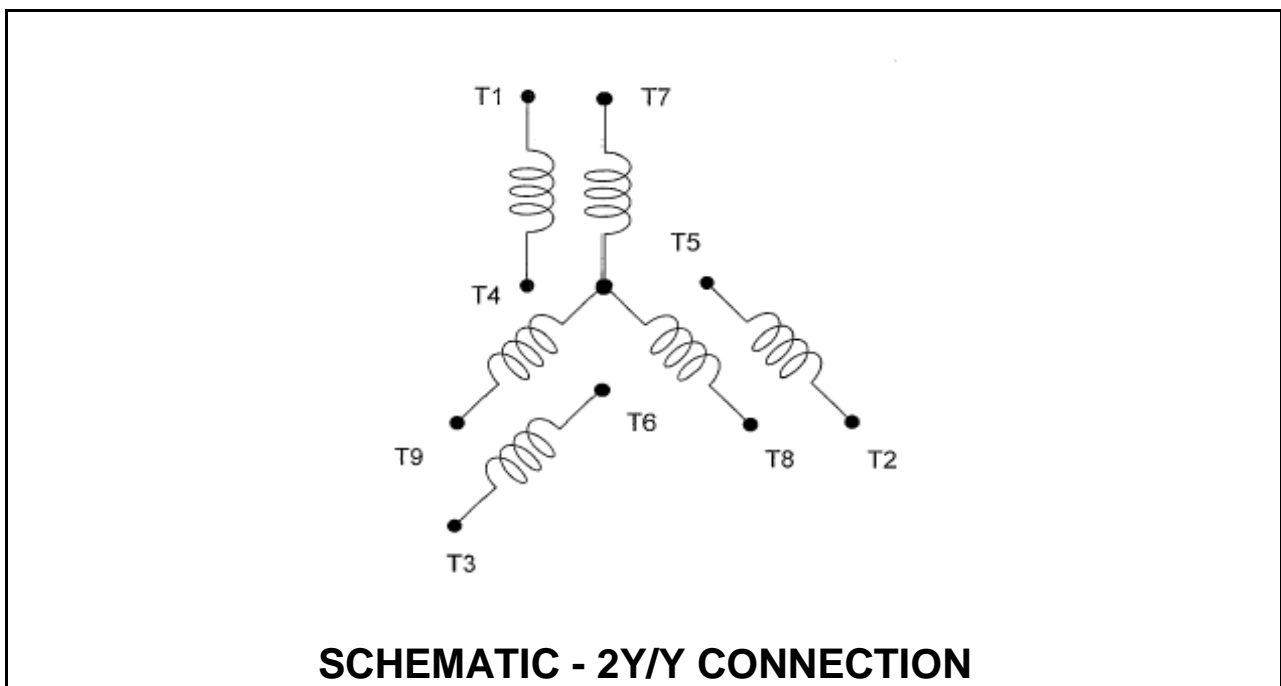


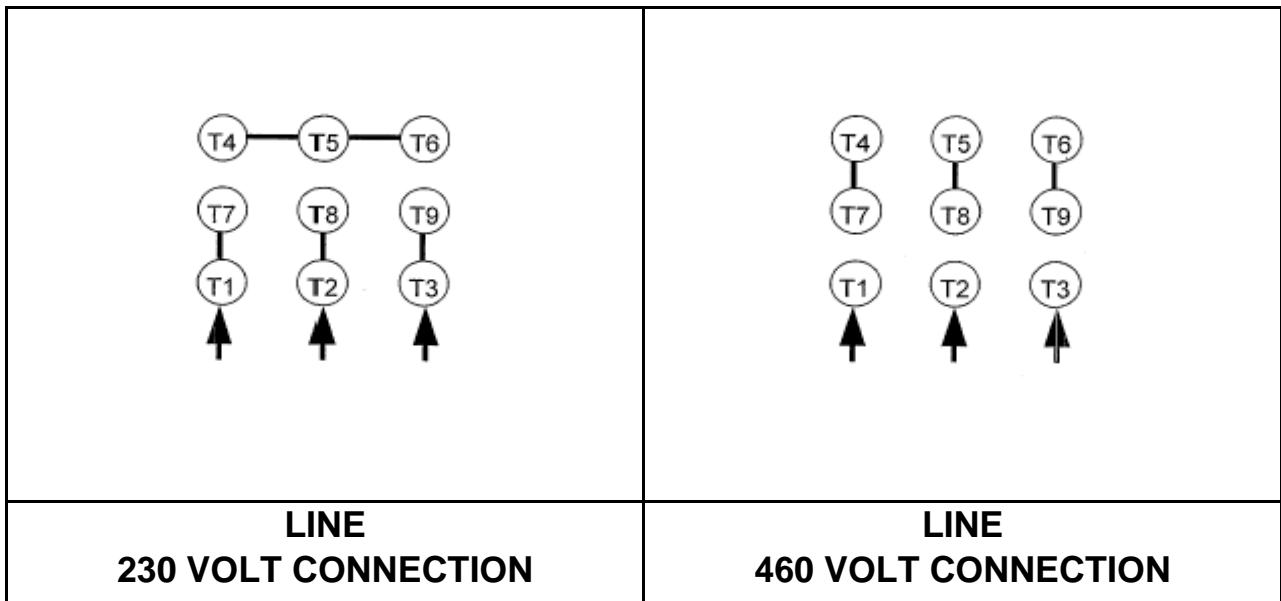
DATE:
August 19, 2015

CONNECTION DIAGRAM

CATALOG NO.:
DTP1/54G



ACROSS THE LINE CONNECTION



DWG NO.
DAC-1566-2