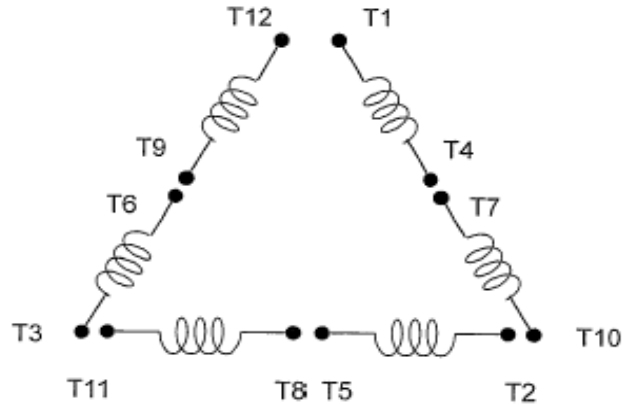


DATE:  
June 14, 2012

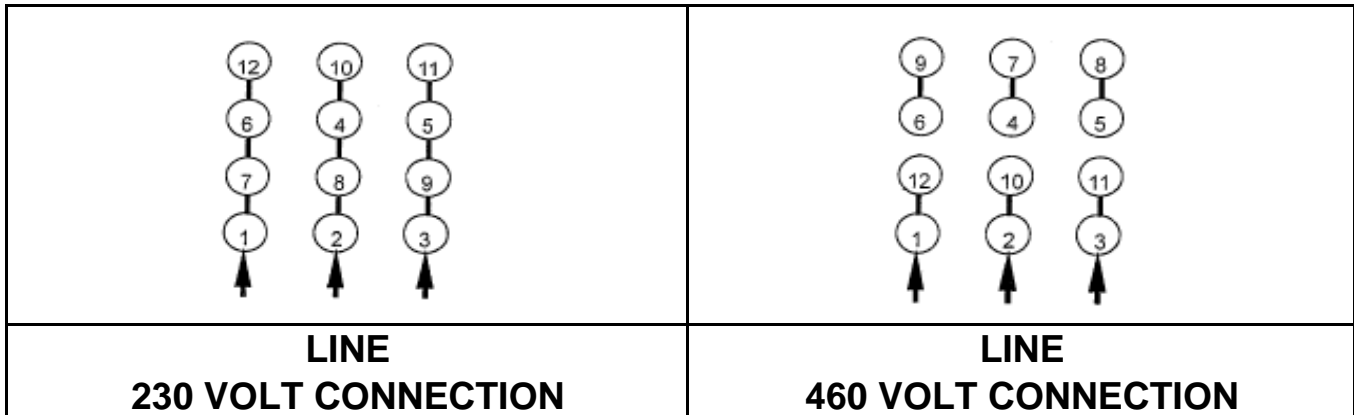
# CONNECTION DIAGRAM

DTP0204

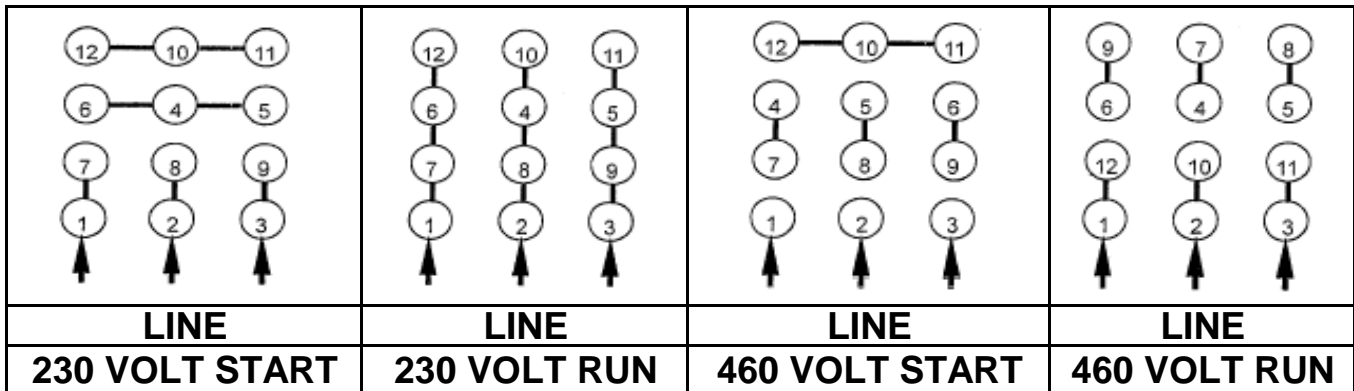


**SCHEMATIC - Δ / Y CONNECTION**

## ACROSS THE LINE CONNECTION



## WYE START-DELTA RUN CONNECTION



DWG NO.  
**DAC-1565-4**