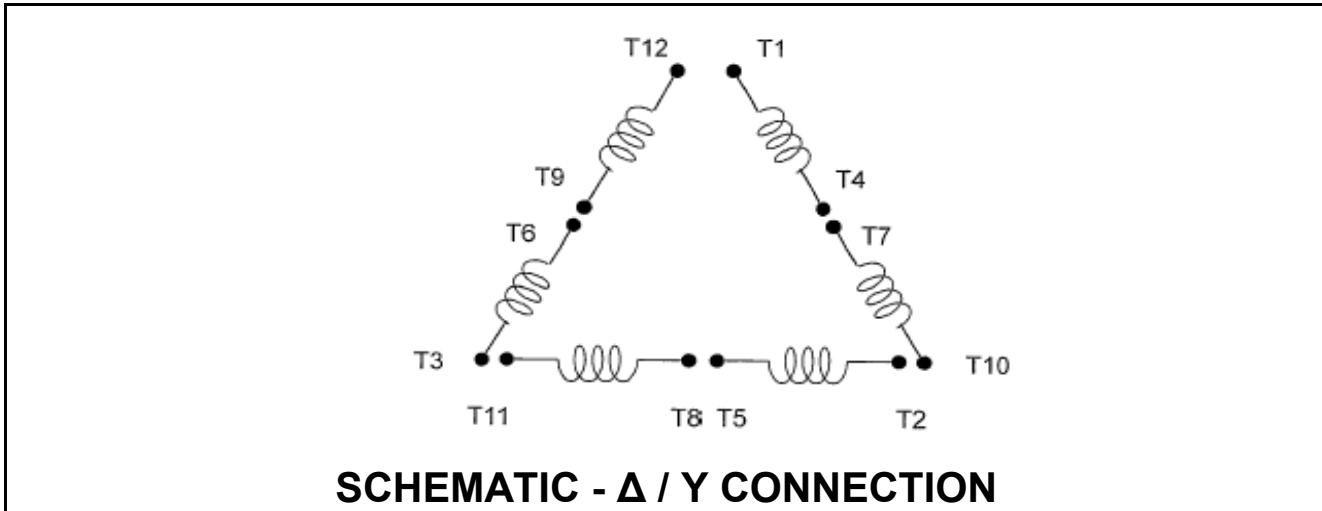
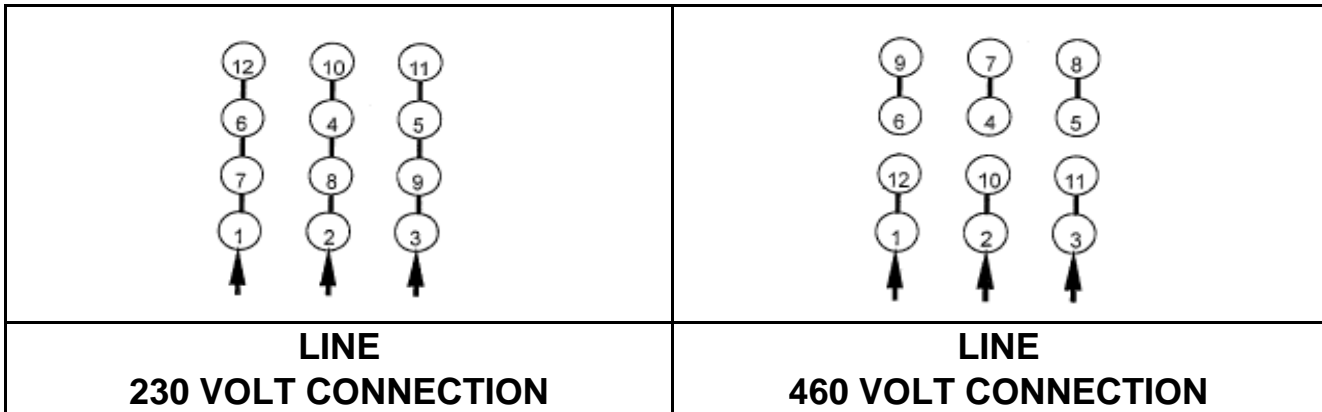


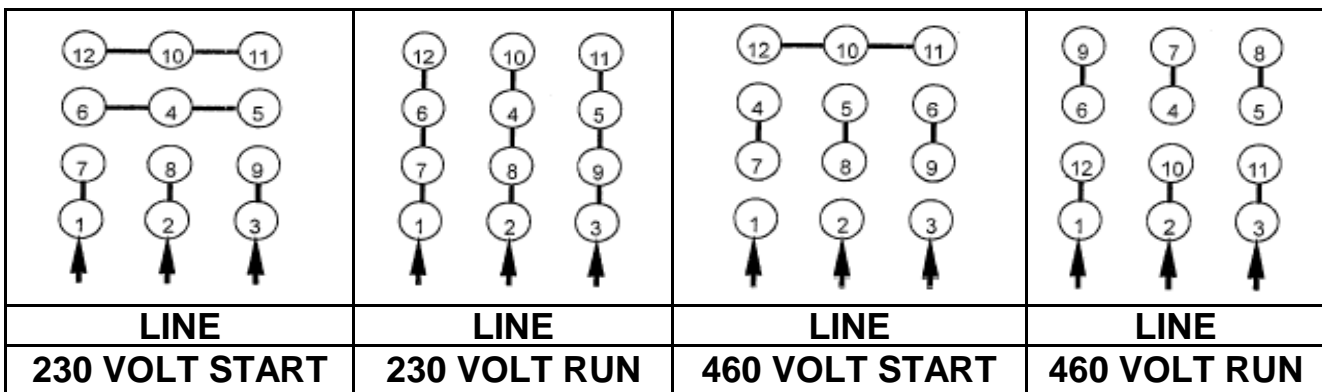
DATE: August 19, 2015	CONNECTION DIAGRAM	DTP0156G
---------------------------------	---------------------------	-----------------



ACROSS THE LINE CONNECTION



WYE START-DELTA RUN CONNECTION



	DWG NO. DAC-1565-4
--	------------------------------