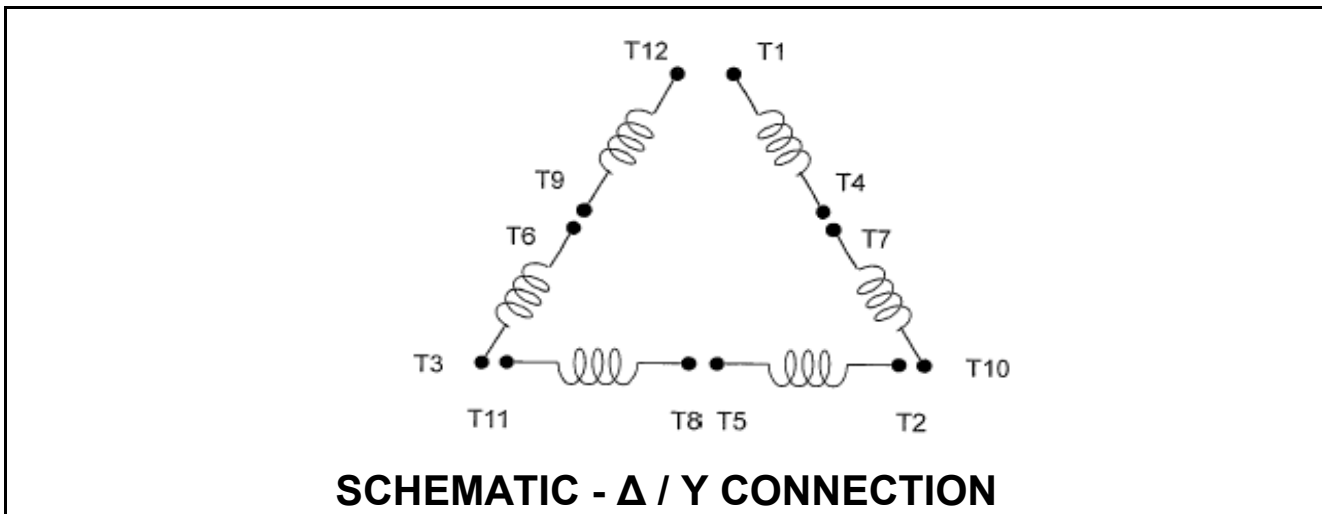
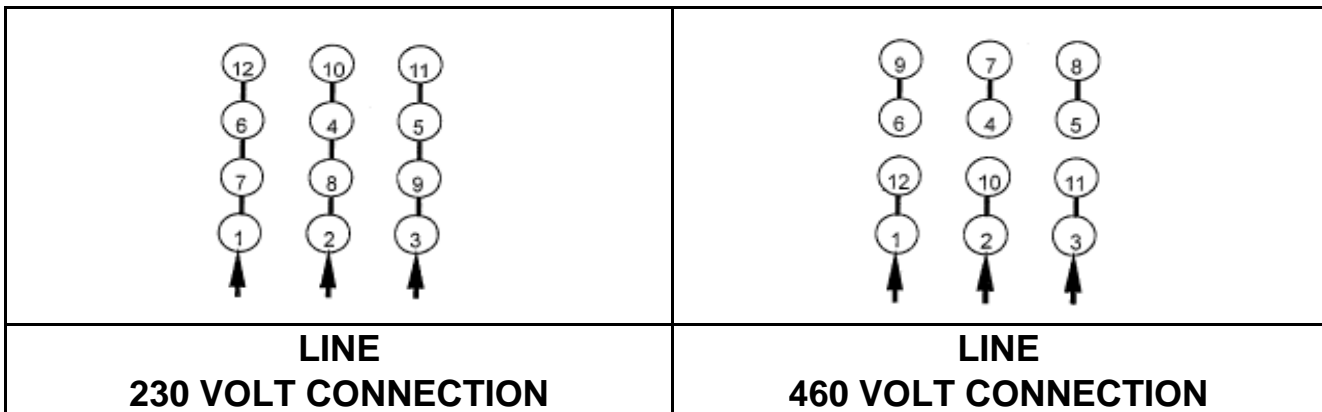


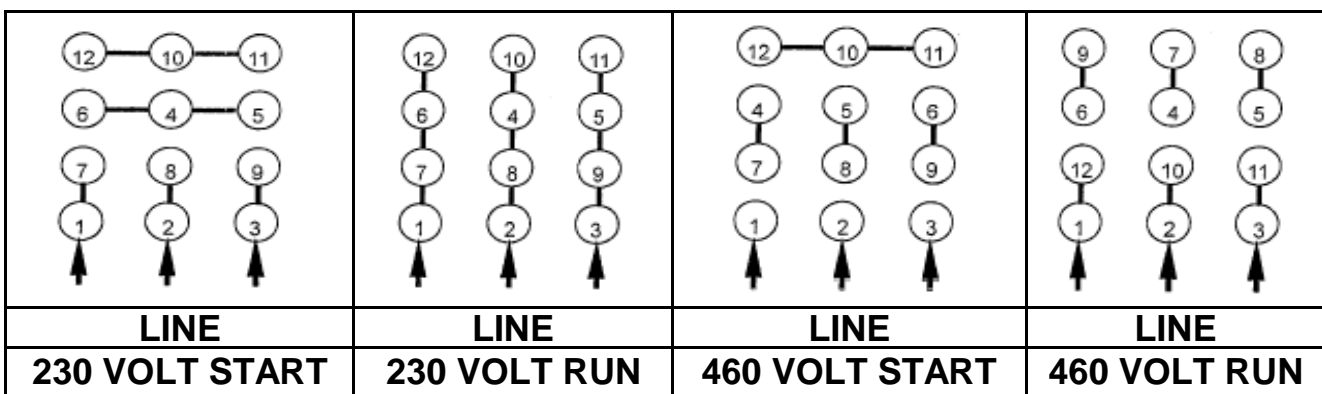
DATE: <b>August 19, 2015</b>	<b>CONNECTION DIAGRAM</b>	<b>DTP0102G</b>
---------------------------------	---------------------------	-----------------



### ACROSS THE LINE CONNECTION



### WYE START-DELTA RUN CONNECTION



	DWG NO. <b>DAC-1565-4</b>
--	------------------------------