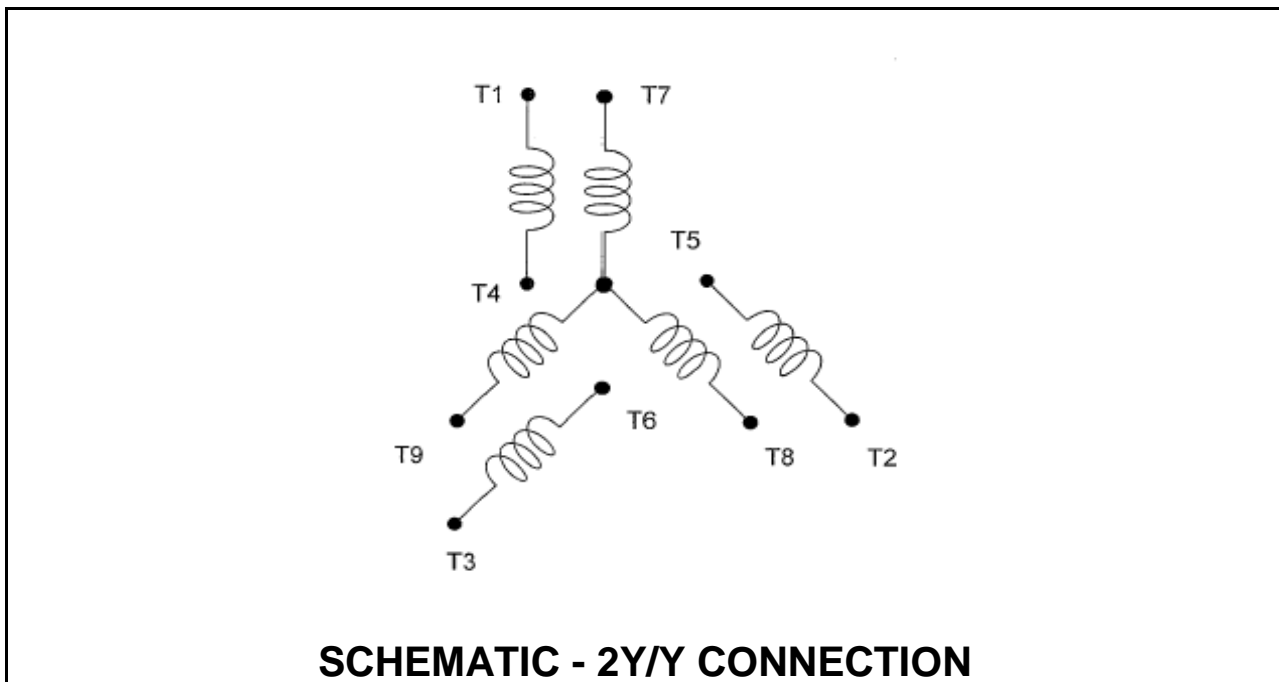


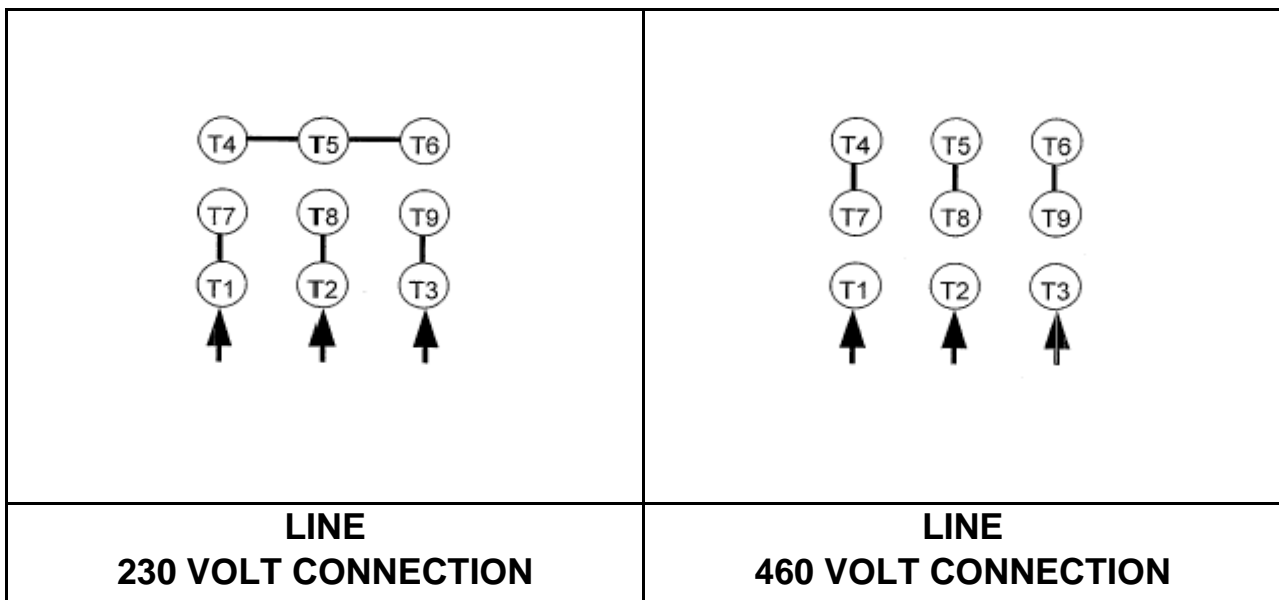
DATE:  
August 19, 2015

# CONNECTION DIAGRAM

CATALOG NO.:  
DTP0034G



## ACROSS THE LINE CONNECTION



DWG NO.  
DAC-1566-2