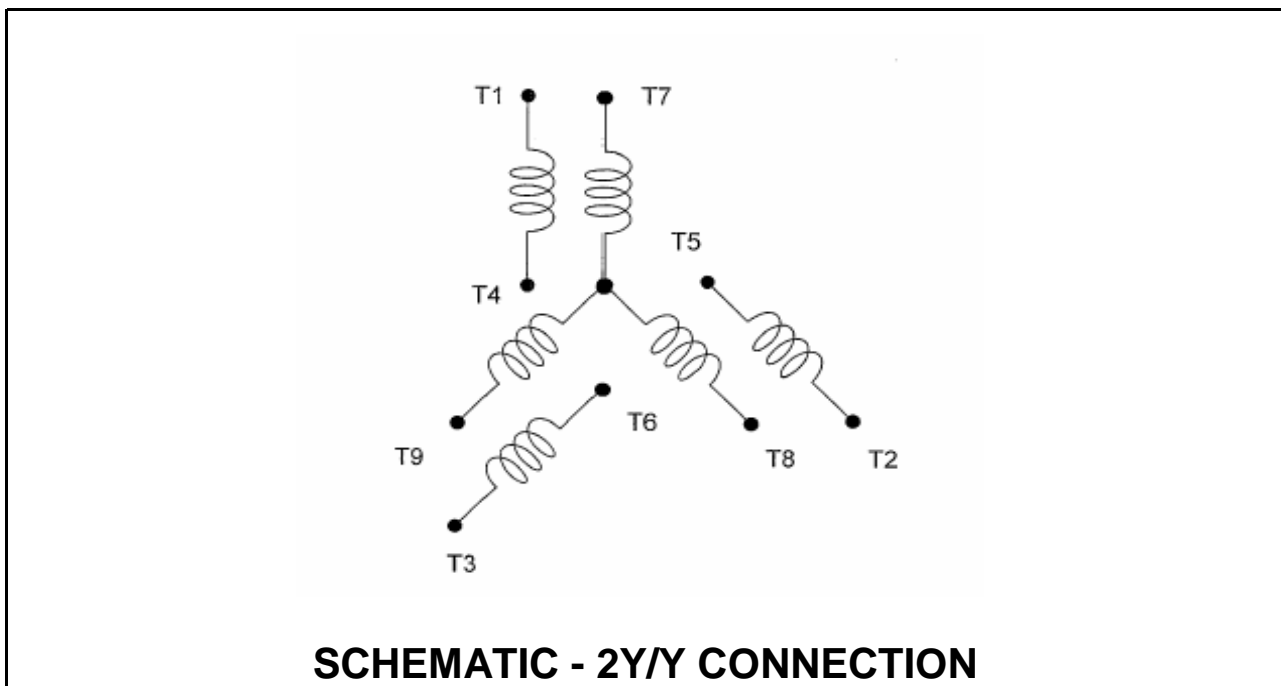


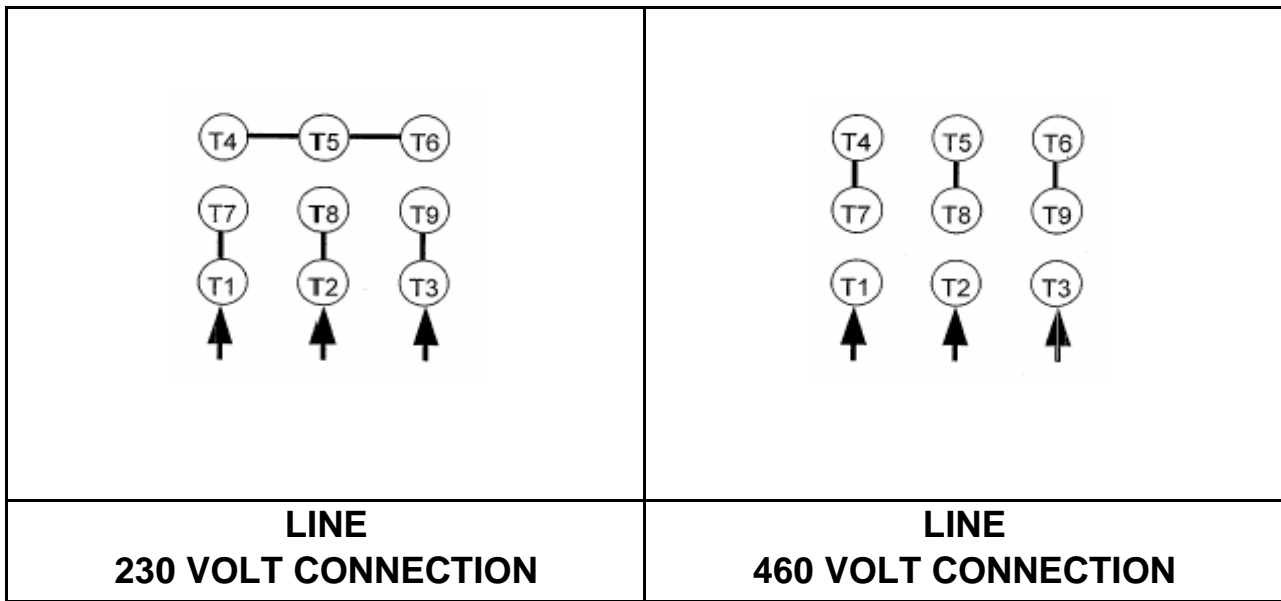
DATE:  
May 28, 2009

# CONNECTION DIAGRAM

CATALOG NO.:  
DTP0012



## ACROSS THE LINE CONNECTION



DWG NO.  
DAC-1566-2