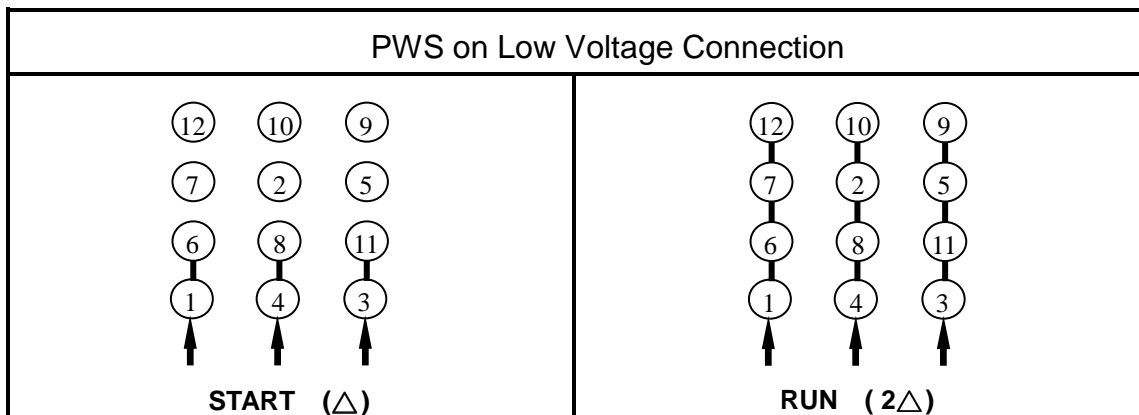
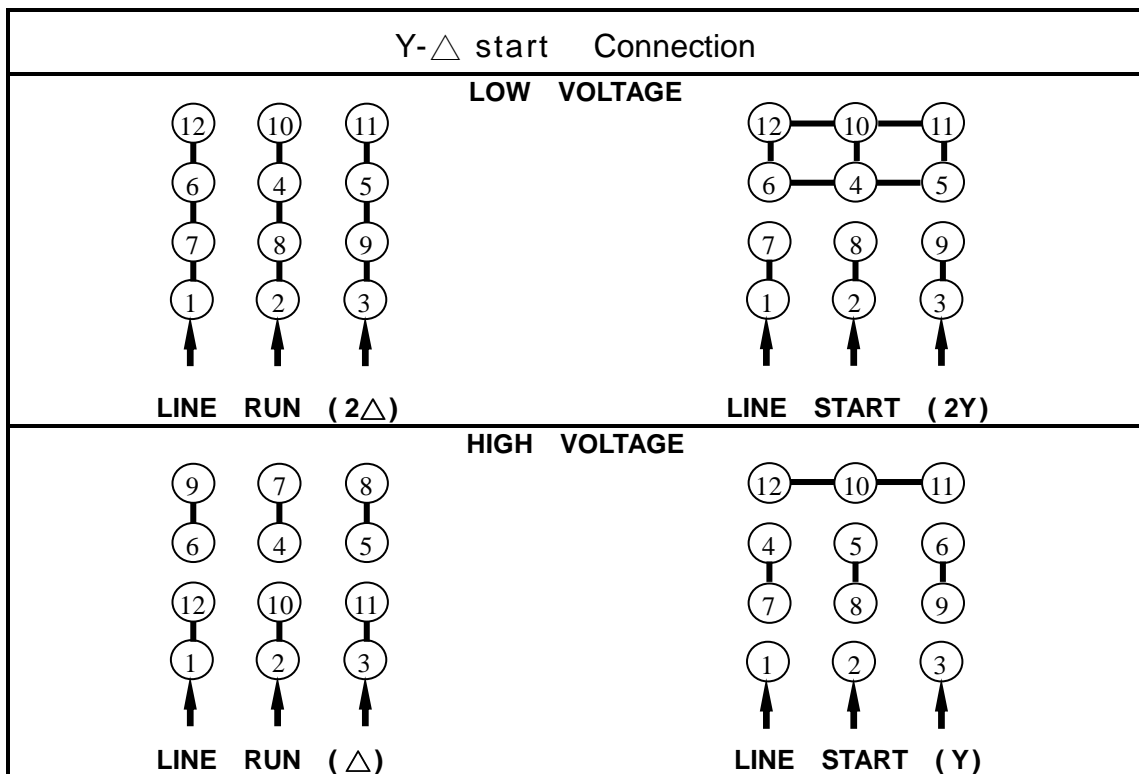

 SCHEMATIC – 2 Δ /2Y/ Δ /Y CONNECTION


APPD.	M.C.Tsai	May,01,'09	TECO Electric & Machinery Co., Ltd.	DWG NO :	DAC-1705
CHKD.	C.L.Huang	May,01,'09			
DWN.	J.C.Lan	May,01,'09			