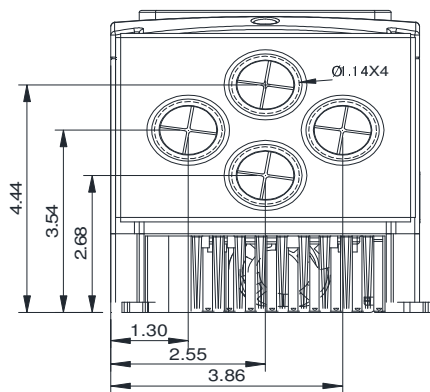
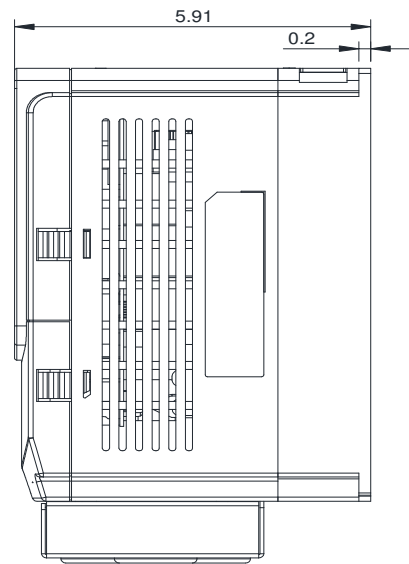
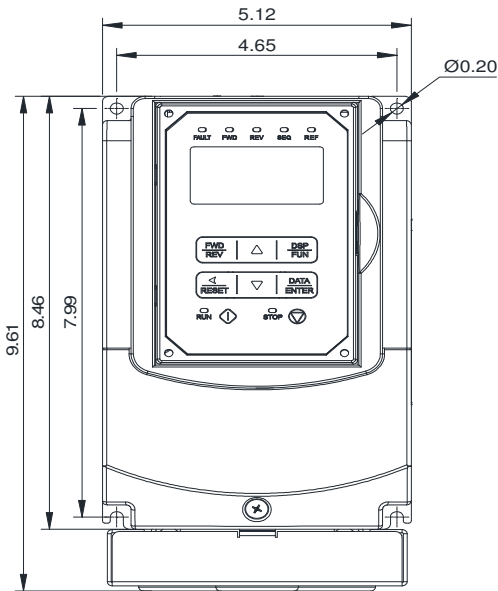


GENERAL DATASHEET VARIABLE SPEED DRIVE

Series A510				MODEL# A510-4001-C3-U		
ISSUED 8/31/2016				ENCLOSURE/ FRAME NEMA 1 (IP20) / F1		
INPUT AMPS				AC INPUT VOLTAGE	AC INPUT FREQUENCY	AC INPUT PHASE
HD (CT)		ND (VT)				
3.7		4.5		380-480	50/60	3
OUTPUT HP				AC OUTPUT VOLTAGE	AC OUTPUT FREQUENCY	AC OUTPUT PHASE
HD (CT)		ND (VT)				
1		1		0-480	0-599	3



Approved By:	Brian Smith	Drawing No:	A510-460-001-F1	Revision: 0
--------------	-------------	-------------	-----------------	-------------