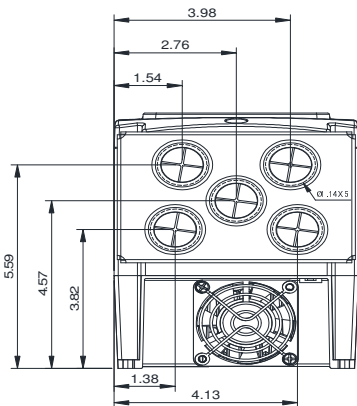
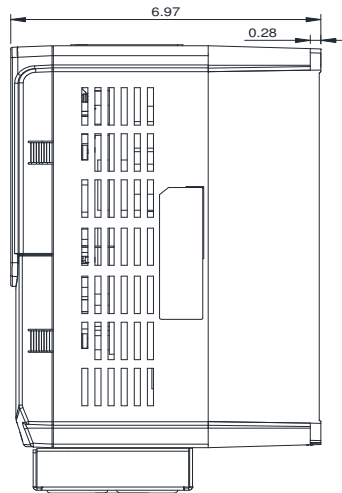
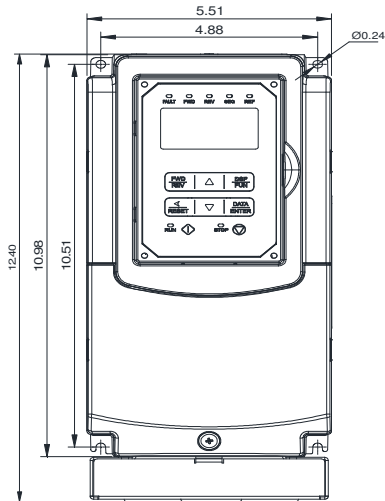


GENERAL DATASHEET VARIABLE SPEED DRIVE

Series A510				MODEL# A510-2003-C-U		
ISSUED 8/30/2016				ENCLOSURE/ FRAME NEMA 1 (IP20) / F2		
SINGLE PHASE INPUT AMPS		AC INPUT VOLTAGE		AC INPUT FREQUENCY		AC INPUT PHASE
HD (CT)	ND (VT)	200-240		50/60		1/3
20.3	22.1					
THREE PHASE INPUT AMPS						
HD (CT)	ND (VT)					
11.7	12.8					
OUTPUT HP		AC OUTPUT VOLTAGE		AC OUTPUT FREQUENCY		AC OUTPUT PHASE
HD (CT)	ND (VT)	HD (CT)	ND (VT)	0-240		0-599
3	3	11	12			
						3



Approved By:	Brian Smith	Drawing No:	A510-230-003-F2	Revision: 0
--------------	-------------	-------------	-----------------	-------------