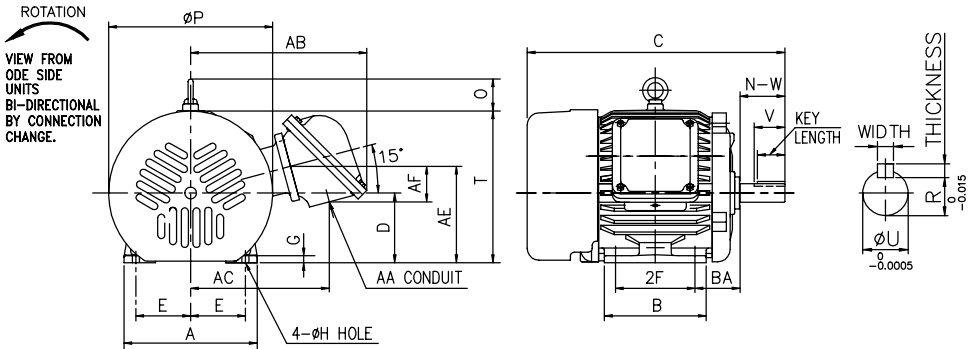


TOSHIBA/HOUSTON CT EXPLOSION PROOF MOTORS Fr. 143T-145T
HORIZONTAL FOOT-MOUNTED



UNITS: INCHS

FRAME SIZE	MOUNTING			CONDUIT BOX					
	E	2F	H	BA	AA	AB	AC	AF	AE
143T	2.75	4.00	0.34	2.25	NPT3/4"	8.74	6.85	1.73	4.84
145T	2.75	5.00	0.34	2.25	NPT3/4"	8.74	6.85	1.73	4.84

FRAME SIZE	HP	POLE	WEIGHT
143T	1.5HP	2	83 lbs
143T	1HP	4	79 lbs
145T	2HP	2	94 lbs
145T	1.5HP	4	88 lbs
145T	2HP	4	90 lbs
145T	1HP	6	90 lbs

FRAME SIZE	MOTOR DIMENSIONS						
	A	B	C	D	G	P	O+T
143T	6.69	5.12	12.95	3.50	0.35	8.40	9.30
145T	6.69	6.10	13.94	3.50	0.35	8.40	9.30

FRAME SIZE	SHAFT EXTENSION				KEY			BEARINGS	
	N-W	U	V	R	WIDTH	THICKNESS	LENGTH	LS	OS
143T	2.25	0.875	2.20	0.771	0.188	0.188	1.375	6205ZZ	6205ZZ
145T	2.25	0.875	2.20	0.771	0.188	0.188	1.375	6205ZZ	6205ZZ

ALL DATA SUBJECT TO CHANGE WITHOUT NOTICE.
 FOR CONSTRUCTION USE ONLY CERTIFIED DATA.

- NOTES:
1. DIMENSION V REPRESENTS LENGTH OF STRAIGHT PART OF SHAFT.
 2. MOTOR WEIGHT SHOWN IS MAXIMUM HORSEPOWER IN FRAME.

CERTIFIED DATA

CUSTOMER: _____ P.O. NO.: _____ TAG NO.: _____
 MOTOR MODEL NO.: **Y154XPEA31A-P** TOSHIBA FILE NO.: _____
 HP: **1.5** RPM (SYN.): **1800** VOLTAGE: **230/460** Hz: **60**
 FRAME SIZE: **145T** LOG NO.: _____ LOG REV. LEVEL: _____
 REMARKS: _____
 PER: _____ ISSUE DATE: _____ SUPERSEDES: _____

TOSHIBA INTERNATIONAL CORPORATION
Industrial Division / Houston Motor Plant

**SQUIRREL CAGE INDUCTION MOTOR
 PERFORMANCE SPECIFICATIONS**

INDEX	MPCF-1033
SHEET NO.	1 of 1
ISSUED	11/08/96
SUPERSEDES	10/06/95
REVISION	1
WRITTEN BY	R. EVANS
APPROVED BY	<i>Jay Bugbee</i>

Customer Tag:

CUSTOMER:
 TIC SR No.:
 Customer PO:

MOTOR NAMEPLATE DATA

H.P.: 1.5	VOLTS: 230/460	3 Ø / 60	Hz	S. RPM: 1800
FRAME: 145T	ENCL: TEXP	FLAMPS: 2.1		FLRPM: 1730
FORM: FBK1XX	S.F.: 1.15	NEMA DESIGN: B		INSUL CLASS: F
TYPE: IK	AMB.: 40C	CODE: K		DUTY: CONT.
MODEL No.: Y154XPEA31A-P		kW: 1.1		Serial No.:
NOM. EFF.: 87.5	MIN. EFF.:	P.F.:0.8		

AMPERAGE Locked Rotor: 16	TORQUES FULL LOAD (lb-ft.): 4.50 LOCKED ROTOR (%): 300 BREAK DOWN (%): 320	** BEARINGS: Drive End: 6205ZZ Opposite Drive End: 6205ZZ
-------------------------------------	--	--

EFFICIENCY (%) FULL LOAD: 87.5 3/4 LOAD: 87.7 1/2 LOAD: 86.0	POWER FACTOR (%) FULL LOAD: 78.5 3/4 LOAD: 72.0 1/2 LOAD: 60.0
--	--

ALL CHARACTERISTICS ARE AVERAGE EXPECTED VALUES BASED UPON RATED VOLTAGE, FREQUENCY AND SINEWAVE POWER INPUT.

* TEMPERATURE RISE WILL BE CONSISTENT WITH INSULATION, AMBIENT AND SERVICE FACTOR AS DEFINED BY NEMA-MG-12.43 OR -20.40.

** BEARINGS ARE THE ONLY RECOMMENDED SPARE PART(S).

CERTIFIED BY:
DATE:

TOSHIBA

Reliability in Motion

TOSHIBA INTERNATIONAL CORPORATION

INDUSTRIAL DIVISION

PO BOX 40906

HOUSTON TX 77240

(713) 466-0277

(800) 231-1412

FAX (713) 466-8773

SPARE PARTS (RECOMMENDED)

OTHER THAN THE GREASE USED FOR RE-GREASABLE BEARINGS, **TOSHIBA** ADVISES THAT THERE ARE NO "USE" PARTS. THE ONLY INSURANCE SPARES THAT **TOSHIBA** SUGGESTS FOR THESE SQUIRREL CAGE INDUCTION MOTORS ARE INDUSTRY STANDARD, AND COMMERCIALY AVAILABLE ANTI-FRICTION BEARINGS, AS NOTED BELOW.

MOTOR COMPONENTS (SUCH AS TERMINAL BOXES, FAN COVERS, MACHINED PARTS) ARE AVAILABLE UPON SPECIAL REQUEST. IN THIS CASE, PLEASE ADVISE OUR ORDER ENTRY DEPARTMENT THE MODEL AND SERIAL NUMBERS (FOUND ON THE MOTOR NAMEPLATE) , AND A DESCRIPTION OF THE COMPONENT REQUIRED. THEY WILL THEN FURNISH THE CURRENT PART NUMBER, PRICE AND AVAILABILITY.

(NOTE: OUR INTERNAL PART NUMBERS ARE SUBJECT TO CHANGE WITHOUT NOTICE, AND ARE NOT PUBLISHED).

PLEASE ADVISE IF YOU HAVE ANY QUESTIONS.

CUSTOMER:

PURCHASE ORDER #

Customer Tag:

TOSHIBA FILE #

MODEL # Y154XPEA31A-P

HP / RPM / ENCL / FRAME: 1.5 / 1800 / TEXP / 145T

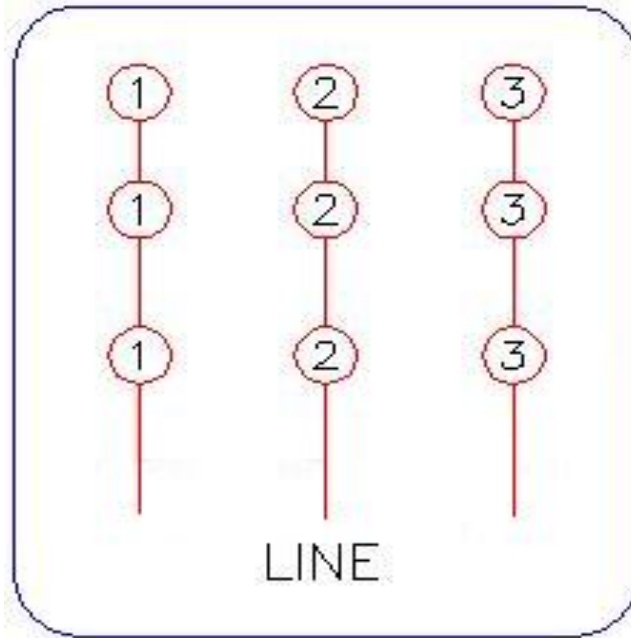
DRIVE END BEARING: 6205ZZ

OPPOSITE DRIVE END BEARING: 6205ZZ

Prepared By:

Date:

Three Phase Motor Wiring Diagram
"Across the line" (Full Voltage) Starting



Customer Name:	
PO No.:	
Customer Tag:	
TIC File No.:	
Motor Model No. Y154XPEA31A-P	

For Further Information Regarding Toshiba motor starting, maintenance or wiring,
Please refer to the "Toshiba - A Quality Product for World Energy" Installation and
Maintenance Manual, or contact the Toshiba Low Voltage Motor Marketing Department.
(800) 231-1412

Prepared By
Date: