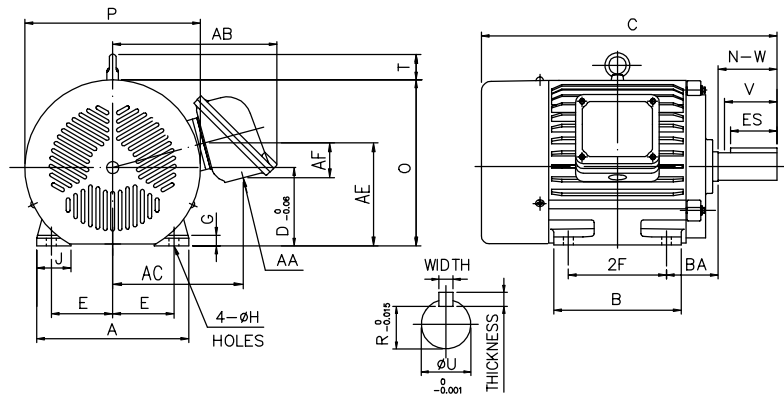


TOSHIBA/HOUSTON CT EXPLOSION PROOF MOTORS Fr. 254T-256T
HORIZONTAL FOOT-MOUNTED

ROTATION
VIEW FROM
ODE SIDE
UNITS
BI-DIRECTIONAL
BY CONNECTION
CHANGE.



UNITS: INCHS

FRAME SIZE	MOUNTING				CONDUIT BOX				
	E	2F	H	BA	AA	AB	AC	AF	AE
254T	5.00	8.25	0.53	4.25	NPT1-1/4	12.75	10.00	2.71	8.13
256T	5.00	10.00	0.53	4.25	NPT1-1/4	12.75	10.00	2.71	8.13

FRAME SIZE	MOTOR DIMENSIONS							
	A	B	C	D	G	J	P	O+T
254T	12.36	9.84	23.88	6.25	0.75	2.36	13.19	15.04
256T	12.36	11.81	25.61	6.25	0.75	2.36	13.19	15.04

FRAME SIZE	SHAFT EXTENSION				KEY			BEARINGS	
	N-W	U	V	R	WIDTH	THICKNESS	LENGTH	LS	OS
254T	4.00	1.625	3.90	1.416	0.375	0.375	2.91	6310ZZ	6208ZZ
256T	4.00	1.625	3.90	1.416	0.375	0.375	2.91	6310ZZ	6208ZZ

FRAME SIZE	HP	POLE	WEIGHT
254T	15HP	2	401 lbs
256T	20HP	2	454 lbs
254T	15HP	4	383 lbs
256T	20HP	4	421 lbs
254T	7.5HP	6	356 lbs
256T	10HP	6	428 lbs

ALL DATA SUBJECT TO CHANGE WITHOUT NOTICE.
FOR CONSTRUCTION USE ONLY CERTIFIED DATA.

CERTIFIED DATA

- NOTES:
1. DIMENSION V REPRESENTS LENGTH OF STRAIGHT PART OF SHAFT.
2. MOTOR WEIGHT SHOWN IS MAXIMUM HORSEPOWER IN FRAME.

CUSTOMER: _____ P.O. NO.: _____ TAG NO.: _____
MOTOR MODEL NO.: **0106XPEA31A-P** TOSHIBA FILE NO.: _____
HP: **10** RPM (SYN.): **1200** VOLTAGE: **230/460** Hz: **60**
FRAME SIZE: **256T** LOG NO.: _____ LOG REV. LEVEL: _____
REMARKS: _____

PER: _____ ISSUE DATE: _____ SUPERSEDES: _____

TOSHIBA INTERNATIONAL CORPORATION
Industrial Division / Houston Motor Plant

**SQUIRREL CAGE INDUCTION MOTOR
 PERFORMANCE SPECIFICATIONS**

INDEX	MPCF-1033
SHEET NO.	1 of 1
ISSUED	11/08/96
SUPERSEDES	10/06/95
REVISION	1
WRITTEN BY	R. EVANS
APPROVED BY	<i>Jay Bugbee</i>

Customer Tag:

CUSTOMER:
 TIC SR No.:
 Customer PO:

MOTOR NAMEPLATE DATA

H.P.: 10	VOLTS: 230/460	3 Ø / 60	Hz	S. RPM: 1200
FRAME: 256T	ENCL: TEXP	FLAMPS: 13.2		FLRPM: 1170
FORM: FBK1XX	S.F.: 1.15	NEMA DESIGN: B		INSUL CLASS: F
TYPE: IKK	AMB.: 40C	CODE: H		DUTY: CONT.
MODEL No.: 0106XPEA31A-P		kW: 7.5		Serial No.:
NOM. EFF.: 91.7	MIN. EFF.:	P.F.:0.8		

AMPERAGE Locked Rotor: 81	TORQUES FULL LOAD (lb-ft.): 44.90 LOCKED ROTOR (%): 200 BREAK DOWN (%): 240	** BEARINGS: Drive End: 6310ZZ Opposite Drive End: 6208ZZ
-------------------------------------	---	--

EFFICIENCY (%) FULL LOAD: 91.7 3/4 LOAD: 92.1 1/2 LOAD: 91.7	POWER FACTOR (%) FULL LOAD: 79.0 3/4 LOAD: 74.5 1/2 LOAD: 65.0
--	--

ALL CHARACTERISTICS ARE AVERAGE EXPECTED VALUES BASED UPON RATED VOLTAGE, FREQUENCY AND SINEWAVE POWER INPUT.

* TEMPERATURE RISE WILL BE CONSISTENT WITH INSULATION, AMBIENT AND SERVICE FACTOR AS DEFINED BY NEMA-MG-12.43 OR -20.40.

** BEARINGS ARE THE ONLY RECOMMENDED SPARE PART(S).

CERTIFIED BY:
DATE:

TOSHIBA

Reliability in Motion

TOSHIBA INTERNATIONAL CORPORATION

INDUSTRIAL DIVISION

PO BOX 40906

HOUSTON TX 77240

(713) 466-0277

(800) 231-1412

FAX (713) 466-8773

SPARE PARTS (RECOMMENDED)

OTHER THAN THE GREASE USED FOR RE-GREASABLE BEARINGS, **TOSHIBA** ADVISES THAT THERE ARE NO "USE" PARTS. THE ONLY INSURANCE SPARES THAT **TOSHIBA** SUGGESTS FOR THESE SQUIRREL CAGE INDUCTION MOTORS ARE INDUSTRY STANDARD, AND COMMERCIALY AVAILABLE ANTI-FRICTION BEARINGS, AS NOTED BELOW.

MOTOR COMPONENTS (SUCH AS TERMINAL BOXES, FAN COVERS, MACHINED PARTS) ARE AVAILABLE UPON SPECIAL REQUEST. IN THIS CASE, PLEASE ADVISE OUR ORDER ENTRY DEPARTMENT THE MODEL AND SERIAL NUMBERS (FOUND ON THE MOTOR NAMEPLATE) , AND A DESCRIPTION OF THE COMPONENT REQUIRED. THEY WILL THEN FURNISH THE CURRENT PART NUMBER, PRICE AND AVAILABILITY.

(NOTE: OUR INTERNAL PART NUMBERS ARE SUBJECT TO CHANGE WITHOUT NOTICE, AND ARE NOT PUBLISHED).

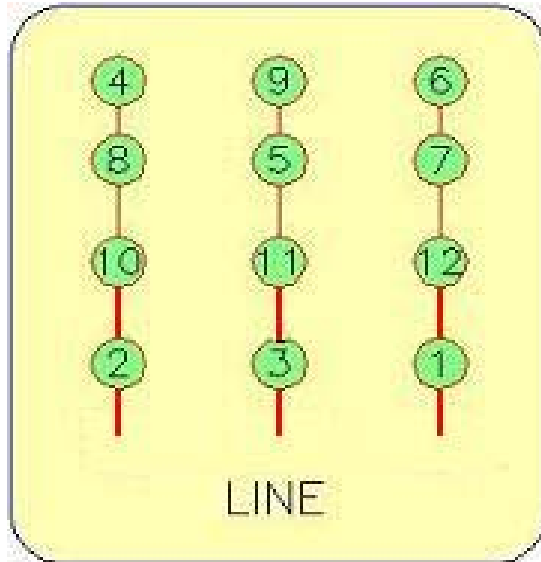
PLEASE ADVISE IF YOU HAVE ANY QUESTIONS.

CUSTOMER:
PURCHASE ORDER #
Customer Tag:

TOSHIBA FILE #
MODEL # 0106XPEA31A-P
HP / RPM / ENCL / FRAME: 10 / 1200 / TEXP / 256T
DRIVE END BEARING: 6310ZZ
OPPOSITE DRIVE END BEARING: 6208ZZ

Prepared By:
Date:

Three Phase Motor Wiring Diagram
"Across the line" (Full Voltage) Starting



Customer Name:	
PO No.:	
Customer Tag:	
TIC File No.:	
Motor Model No.	0106XPEA31A-P

For Further Information Regarding Toshiba motor starting, maintenance or wiring,
Please refer to the "Toshiba - A Quality Product for World Energy" Installation and
Maintenance Manual, or contact the Toshiba Low Voltage Motor Marketing Department.
(800) 231-1412

Prepared By:
Date: