

# Data sheet for three-phase Squirrel-Cage-Motors SIMOTICS

**Motor type:** FS: 447TS - 2p - 200 hp -

Client order no.	Item-No.	Offer no.
Order no.	Consignment no.	project

Remarks

**Electrical data** **Class I Division 1 Groups D**

U [V]	$\Delta/Y$	f [Hz]	P [HP]	P [kW]	n [rpm]	I Load [Amps]					Nom. Eff Load [%]			Pwr. Factor Load [%]			Torque [lb-ft]	T <sub>A</sub> /T <sub>N</sub> LRT [%]	T <sub>k</sub> /T <sub>N</sub> BDT [%]
						4/4	3/4	1/2	0	LRC	4/4	3/4	2/4	4/4	3/4	2/4			
460		60	200.00	-/-	3,575	216.00	163.20	111.60	44.00	1450.0	95.4	95.6	95.3	91.0	90.0	88.0	294.0	120	200

Frame Type: 447TS	Type of constr.: ( A ) Foot mounted - End shield	Ins. Cl.:Insulation class F	Motor Prot.:(A) No winding protection	NEMA Des.: B	S.F.: 1.15
Mtr. WT:2,250		Temp. Rise Cl.: B	Amb. Temp.: + to -20 °C @1000 m	kVA: G	I.P.: IP65

**Mechanical data**

Sound level (SPL / SWL) at 60 Hz	83.0 dB(A) / 94.0 dB(A)	Thickener	Polyurea
Octave Band Center Frequencies Hertz	250 500 1000 2000 4000 8000 Hz	Safe Stall Time Hot	16 s
SPL@3		Safe Stall Time Cold	20 s
Moment of inertia	31.4 Lb-ft <sup>2</sup>	Frame material	cast iron
Ext Load Inertia Capability:	172.0 Lb ft <sup>2</sup>	Color, paint shade	
<b>Bearings</b>		Coating (paint finish)	
Bearing DE   NDE	6316 Z C3 S0   6316 Z C3 S0	<b>Ventilation Type</b>	
Bearing_Type	Ball Bearing   Ball Bearing	Method of cooling	TEFC
AFBMA:	80BC03JP30   80BC03JP30	Direction of rotation	Bidirectional
<b>Grease</b>		Fan Material	Polypropylen ESD
Capacity	7.50 oz   7.50 oz	VFD	CT: 4:1 VT: 20:1
Grease Type:	Exxon Mobile EM	Space heaters	without
		Brake:	-/-


**Terminal box**

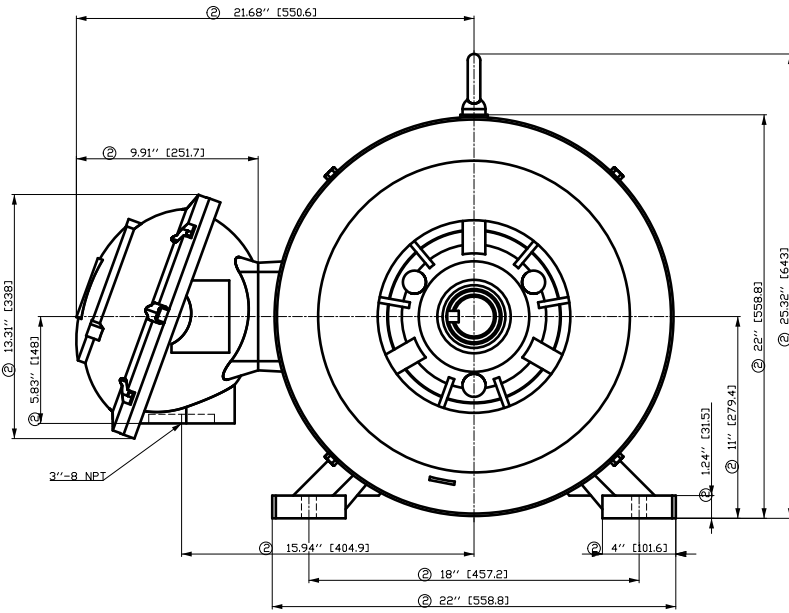
Lead Wire Connection	6 LEAD - DELTA	Terminal box position	(3) Mounting - F-1
Voltage	L1 L1 L1 Connected together	Material of terminal box	
---	---	Cable entry	-/-
---	T1 T2 T3		

Notes:

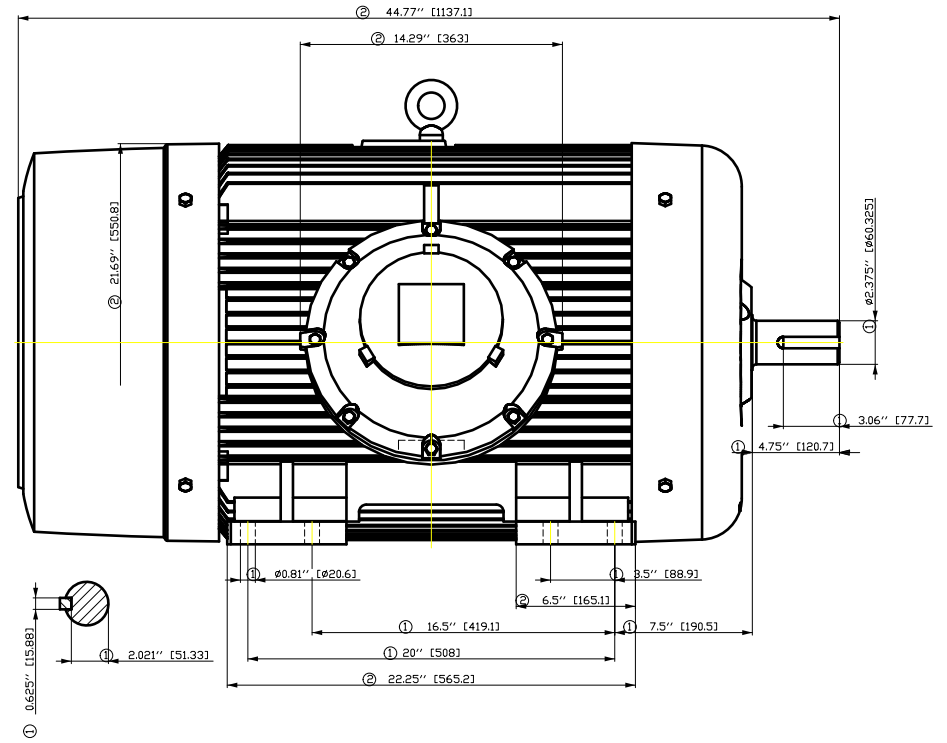
I<sub>L</sub>/I<sub>N</sub> = locked rotor current / current nominal  
M<sub>L</sub>/M<sub>N</sub> = locked rotor torque / torque nominal  
M<sub>b</sub>/M<sub>N</sub> = break down torque / nominal torque

3) Value is valid only for DOL operation with motor design IC411  
2) at rated power / at full load

responsible dep. DI MC LVM	technical reference	created by DT Configurator	approved by	<i>Technical data are subject to change! There may be discrepancies between software and hardware versions</i>			
	document type datasheet	document status released	customer		document number		
	title 1MB2221-4DA31-2AA3	rev. 01	creation date 2020-12-22 16:42	language en	Page 1/1		
© Siemens AG 2020							

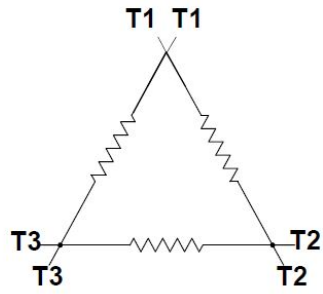


- ① Tolerances according to NEMA std.
- ② All these dimensions corresponding to assemblies and castings shall have a tolerance as per DIN standard 1686-GTB 19.
- ③ Not according to NEMA std.



Tolerance	Surface	Material	Weight	Scale
FT ÖGGEFÄ ÖCH-FÖÖEH	Author	Öä \}•ä}ä{ä}ä *	É	{ {
É	Creator	ÖVS		
	Approval	T ä : ^ä@` } *		
	Department			
	Change Order	MLFB		Doc Type
<b>SIEMENS</b>	Doc. State	FCÖÖÖE		Paper Size
© Siemens AG 2018	Revision	Index	RS	1st Language
	Project No	É		2nd Language
	Ref No	É		Sheet
				F of F

Main terminal diagram



6 LEAD DELTA			
LINES			CONN.
L1	L2	L3	
T1	T2	T3	Δ

responsible dep.  
DI MC LVM

technical reference

created by

approved by

project

**SIEMENS**

document type  
Wiring Diagram

title  
1MB2221-4DA31-2AA3

document status  
free

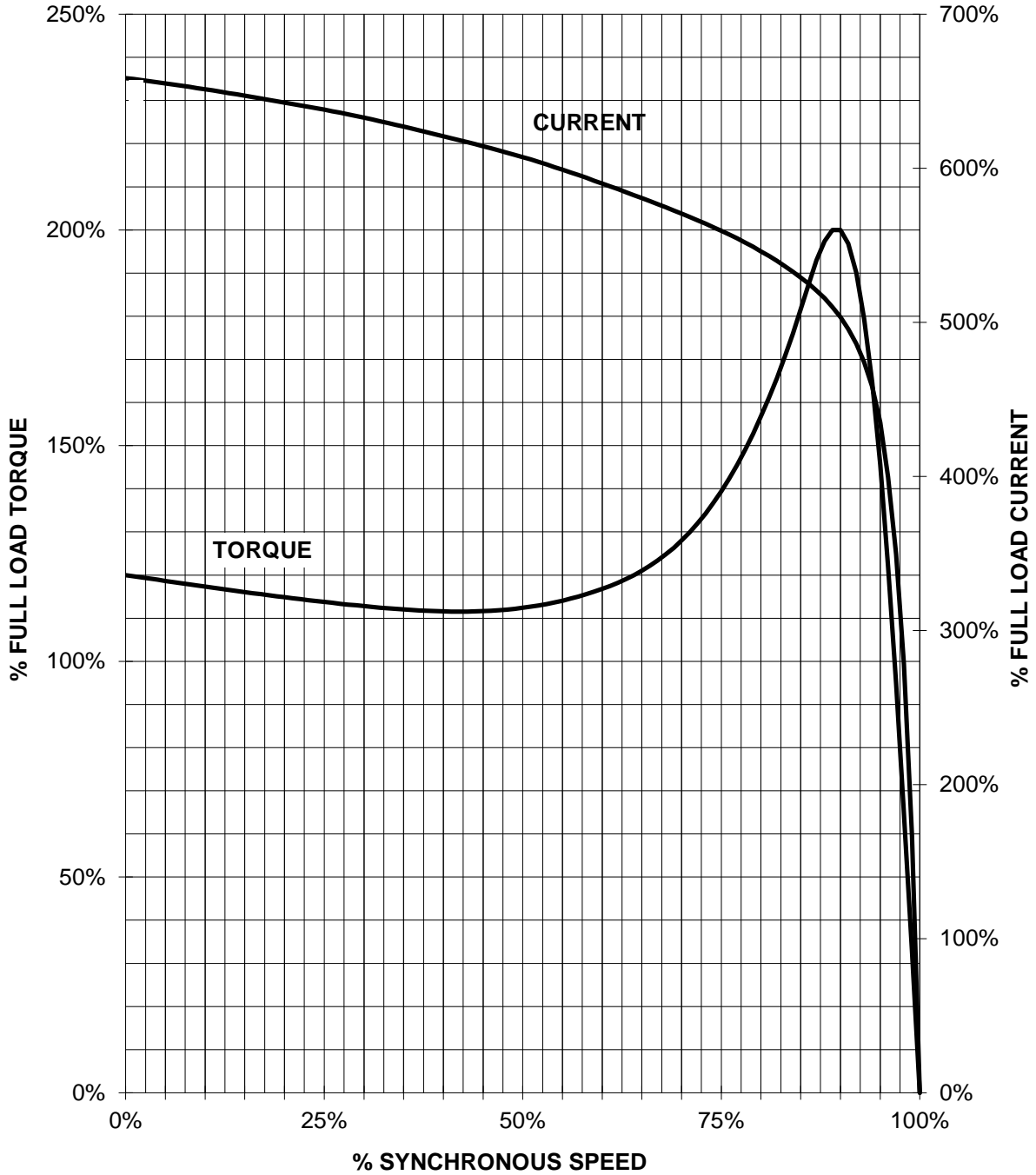
document number

customer

# SIEMENS INDUSTRY, INC.

HP 200    VOLTS <600    RPM 3600    TYPE XP100 1D1  
HZ 60    PHASE 3    FRAME 447TS    NEMA B

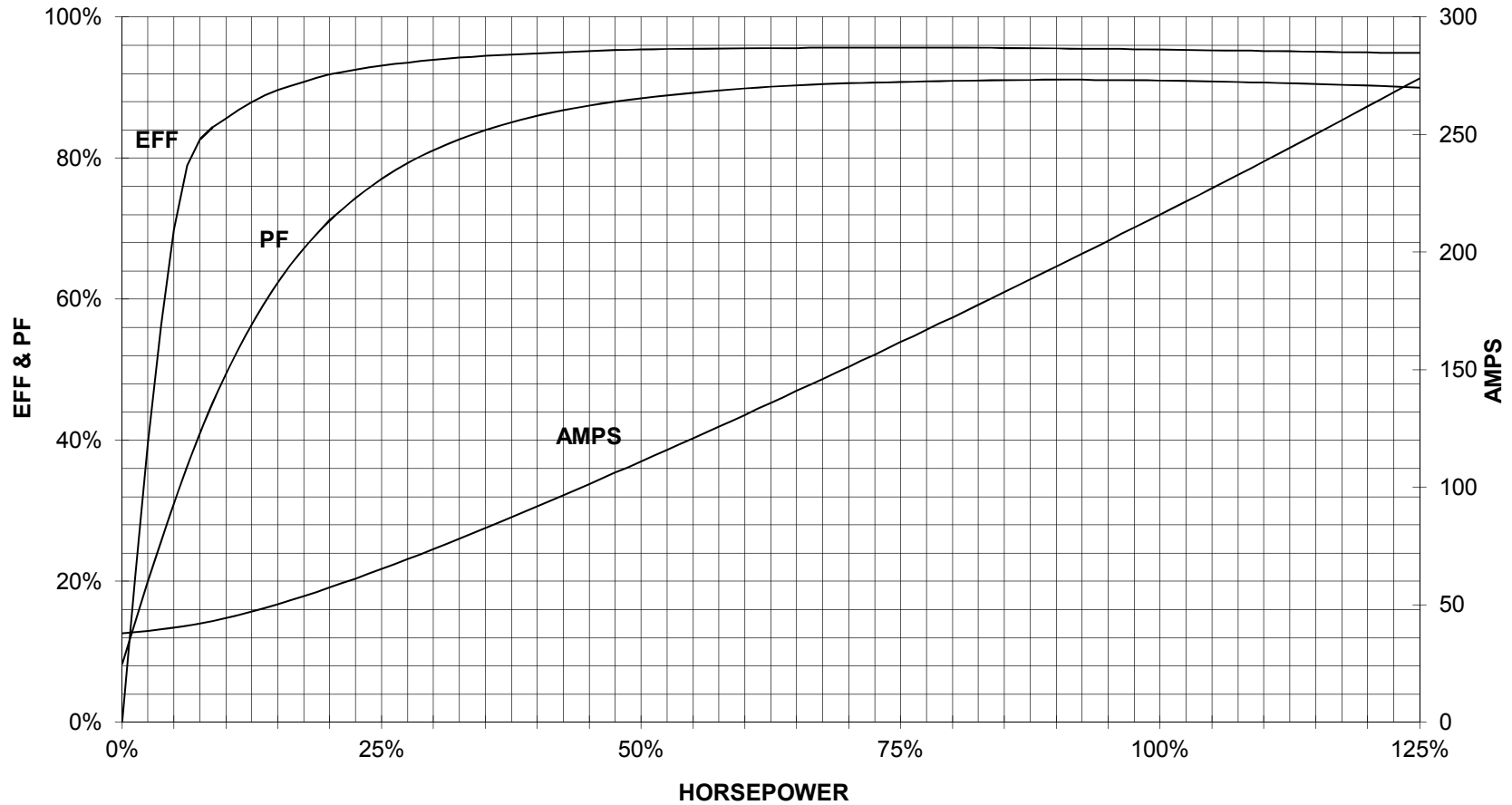
## TORQUE & CURRENT VS. SPEED



CUSTOMER: \_\_\_\_\_ ORDER#: \_\_\_\_\_

200HP 3600 RPM 447TS FRAME 460 VOLTS 3 PHASE NEMA DESIGN B

**SIEMENS INDUSTRY, INC.**  
**PERFORMANCE CURVE**  
**XP100 1D1**



CUSTOMER \_\_\_\_\_ ORDER # \_\_\_\_\_ PO # \_\_\_\_\_

PERFORMANCE BASED ON DESIGN CALCULATIONS. SUBJECT TO CHANGE WITHOUT NOTICE.

REV. 1