



Data sheet for three-phase Squirrel-Cage-Motors

Totally Enclosed Fan Cooled (TEFC)

MLFB-Ordering data: 1LE2311-2AA21-4GA3

Motor type: SD100 - NEMA Premium Efficiency Plus

Client order no.:

Order no.:

Offer no.:

Remarks:

Item no.:

Consignment no.:

Project:

U [V]	Δ / Y	f [Hz]	P [HP]	P [kW]	n [rpm]	I Load [Amps]					LRC	Nom. Eff Load [%]			Pwr. Factor Load [%]			Torque [lb-ft]	T _A /T _N LRT [%]	T _k /T _N BDT [%]
						4/4	3/4	1/2	0	4/4		3/4	1/2	4/4	3/4	1/2				
460	Y	60	10.00	7.50	3,555	11.50	8.80	6.50	3.40	81.0	91.7	92.3	92.0	89.0	86.0	78.0	15.0	200	353	
230	YY	60	10.00	7.50	3,555	23.00	17.69	13.05	6.80	162.0	91.7	92.3	92.0	89.0	86.0	78.0	15.0	200	353	

Frame Type 215TC	Type of constr.: (G) Round body - C-Face	Ins. Cl.: F	Motor Prot.: (A) Without Protection	NEMA Des.: B	S.F.: 1.15
Mtr WT: 189 lbs	Mounting: (3) F-1, Standard Floor Mount, T. Box LHS	Temp. Rise Cl.: B	Amb. Temp.: +40 to -20 °C @1000 m	kVA: H	IP55

Mechanical data

WK2

Rotor Moment of Inertia:	1	Lb-ft ²
Ext Load Inertia Capability:	11.0	Lb-ft ²

Safe Stall Time

Hot:	13.0	s
Cold:	24.0	s

Typical Noise Data

A-weighted Sound		
Sound Pressure:	78.0	dB(A)
Sound Power:	66.0	dB(A)

Octave Band Center Frequencies Hertz

	250	500	1000	2000	4000	8000	Hz
SPL@3 feet	53.0	55.0	63.0	62.0	58.0	47.0	dB(A)

Bearings

	DE	NDE
Bearing size:	6208 Z C3 S0	6208 Z C3 S0
Bearing Type:	Ball Bearing	Ball Bearing
AFBMA:	40BC02JP30	40BC02JP30

Grease

Capacity:	0.30	oz	0.30	oz
Type:	Exxon Mobile EM			
Thickener:	Polyurea			

Frame

Frame material:	cast iron
Coating (paint finish):	Standard Paint
Color, paint shade:	RAL 7030

Terminal box

Terminal box position:	(3) F-1, Standard Floor Mount, T. Box LHS
------------------------	---

Lead Wire Connection

Description:	9 LEAD - WYE				
Voltage	L1	L2	L3	Connected together	
LOW	T1 T7	T2 T8	T3 T9	T4 T5 T6	Y Y
HIGH	T1	T2	T3	T4 T7-T5 T8-T6	Y
				T9	

Ventilation Type

Type of Cooling:	TEFC
Fan Material:	Polypropylen ESD
Fan Rotation:	Bidirectional

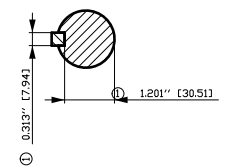
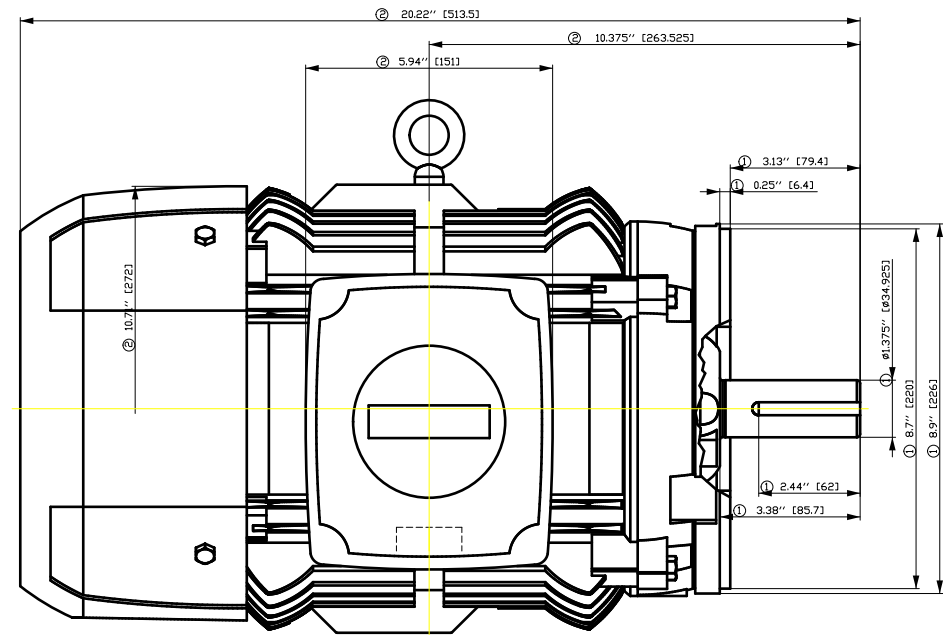
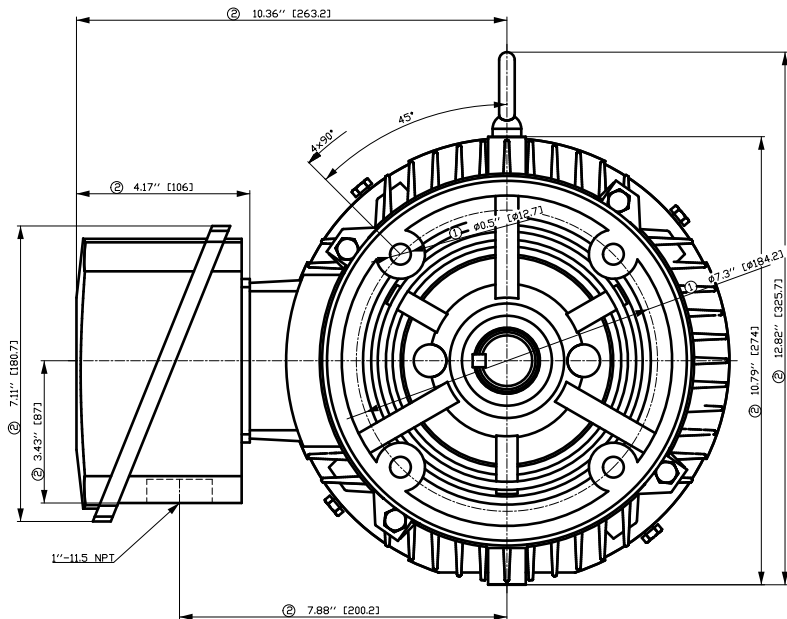
Additional information

VFD Operation:	CT: 4:1	VT: 20:1
Area: classification:	Class I Division 2 Gr. A, B, C or D	

Notes

I_A/I_N = locked rotor current / current nominal T_k/T_N = break down torque / nominal torque
 T_A/T_N = locked rotor torque / torque nominal ¹⁾ Value is valid only for DOL operation with motor design IC411

刀维管
 用转为为
 文全图
 此图
 版
 01
 01
 01



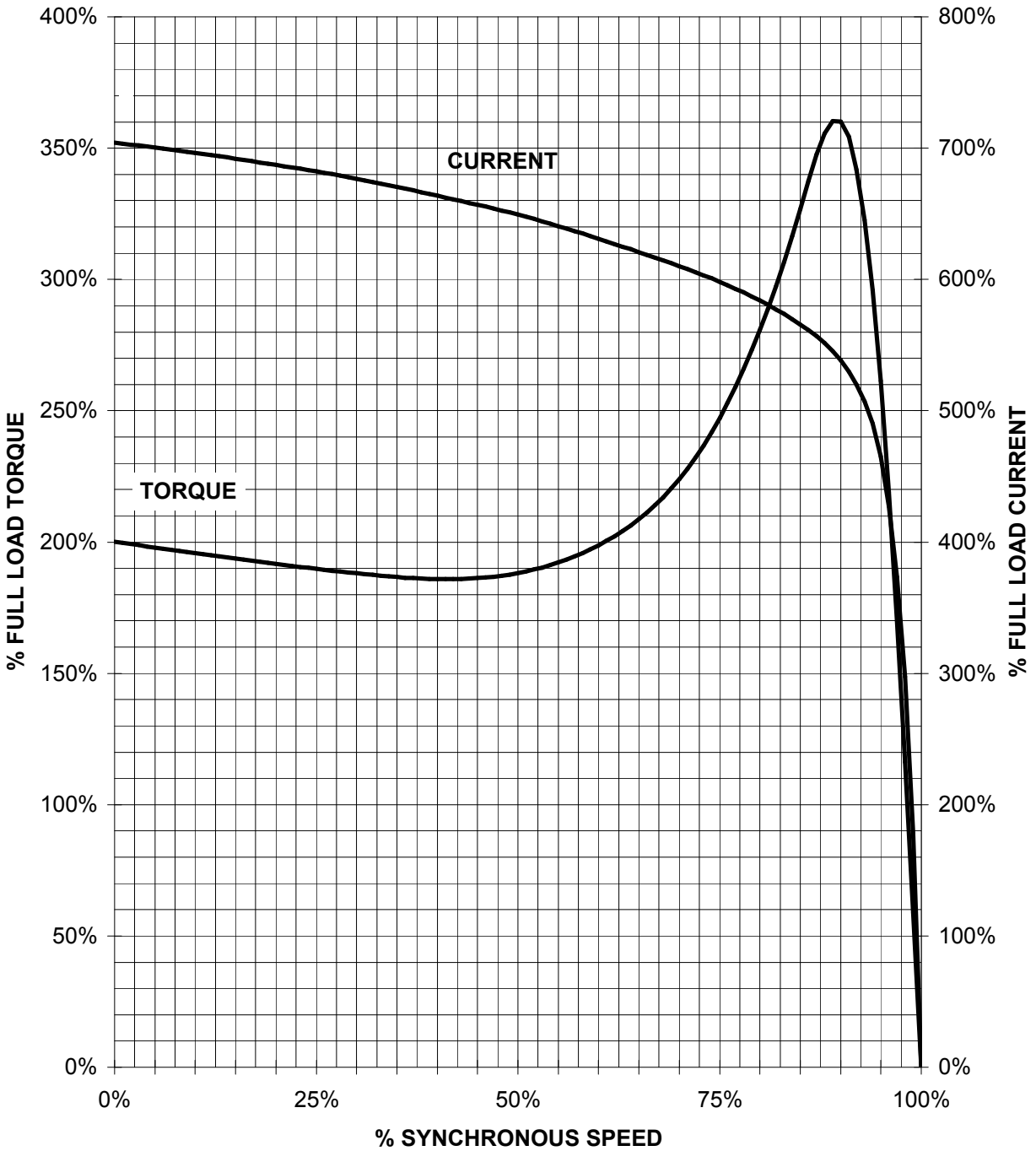
- ① Tolerances according to NEMA std.
- ② All these dimensions corresponding to assemblies and castings shall have a tolerance as per DIN standard 1686-GTB 19.
- ③ Not according to NEMA std.

Tolerance	Surface	Material	Weight	Scale
F50G-FF00GFÖ0CH E	Author Creator Approval Department Change Order	ÖS T a e : ^ & @ } ^ *	E	{ }
SIEMENS	Doc. State	MFB	Doc Type	/
	Revision Index RS	Item No Doc No	Paper Size	CH
© Siemens AG 2018	Project No E	Ref No E	1st Language ^}	2nd Language ä^
			Sheet	F of F

SIEMENS INDUSTRY, INC.

HP 10 VOLTS < 600V RPM 3600 TYPE SD100 NPP
HZ 60 PHASE 3 FRAME 215T NEMA B

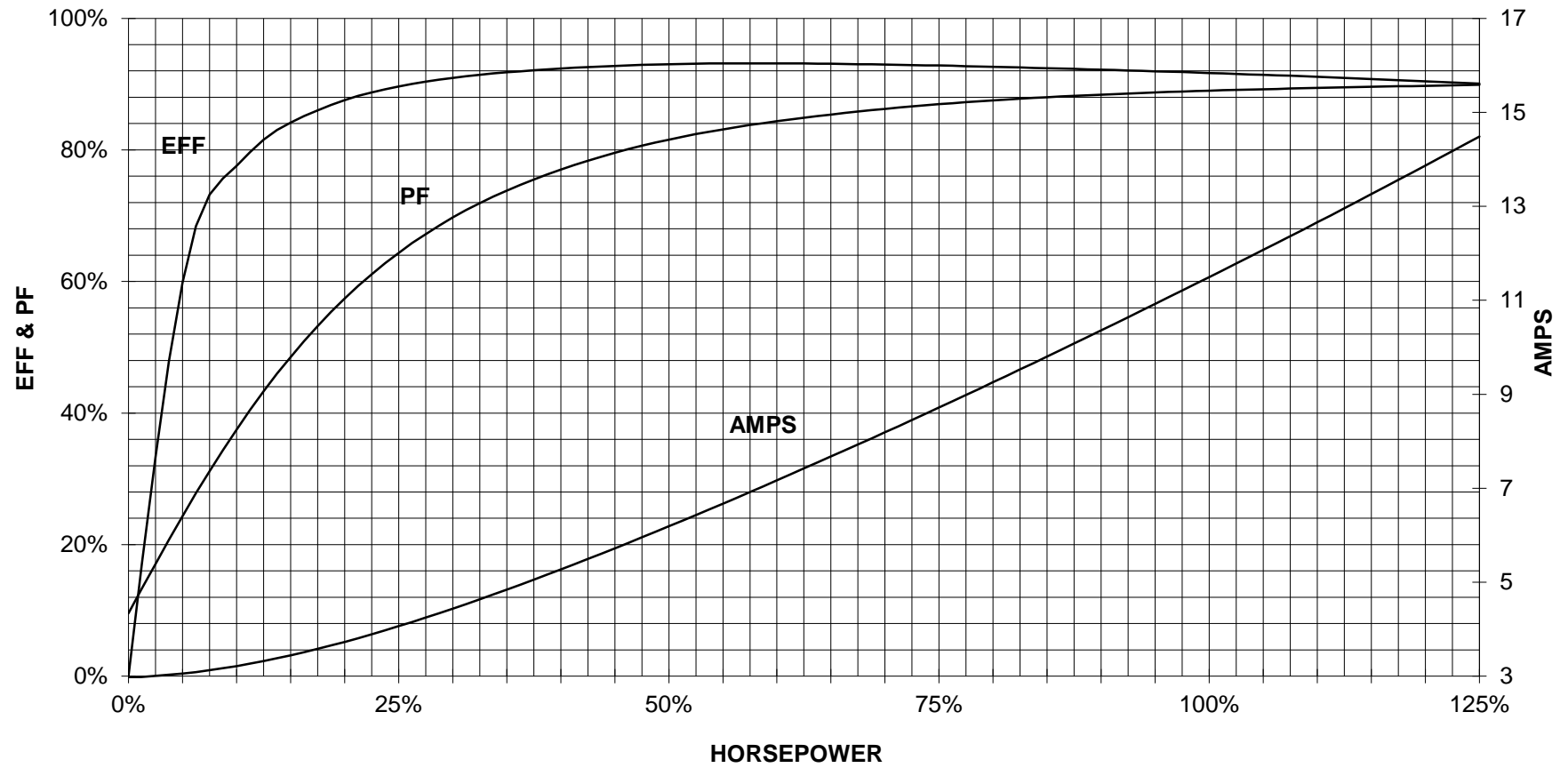
TORQUE & CURRENT VS. SPEED



CUSTOMER: _____ ORDER#: _____

10 HP 3600 RPM 215T FRAME 460 VOLTS 3 PHASE NEMA DESIGN B

SIEMENS INDUSTRY, INC.
PERFORMANCE CURVE
SD100 NPP

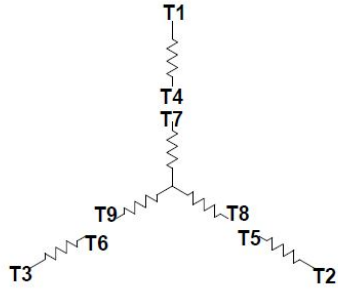


CUSTOMER _____ ORDER # _____ PO # _____

PERFORMANCE BASED ON DESIGN CALCULATIONS. SUBJECT TO CHANGE WITHOUT NOTICE.

REV. 1

Main terminal diagram



9 LEAD WYE						
Volts	LINES			CONNECTED TOGETHER	CONN.	
	L1	L2	L3			
LOW	T1 T7	T2 T6	T3 T9	T4 T5 T6	YY	
HIGH	T1	T2	T3	T4 T7-T5 T8-T6 T9	Y	

responsible dep. DI MC LVM	technical reference	created by	approved by	project
SIEMENS	document type Wiring Diagram	document status free		customer
	title 1LE2311-2AA21-4GA3	document number		
© Siemens AG 2019	rev. 01	creation date 12/03/2019	language en/en	Page 1/1