



Data sheet for three-phase Squirrel-Cage-Motors

Totally Enclosed Fan Cooled (TEFC)

MLFB-Ordering data: **1LE2221-2AD21-4EA3**

Motor type: **GP100 - NEMA Premium Efficiency**

Client order no.:

Order no.:

Offer no.:

Remarks:

Item no.:

Consignment no.:

Project:

| U [V] | Δ / Y | f [Hz] | P [HP] | P [kW] | n [rpm] | I Load [Amps] | | | | | LRC | Nom. Eff Load [%] | | | Pwr. Factor Load [%] | | | Torque [lb-ft] | T _A /T _N LRT [%] | T _k /T _N BDT [%] |
|------------------|--------------|---|--------|--------|---------|-------------------|------|-------------------------------------|------|------|------|-------------------|------|------------|----------------------|------|------|----------------|--|--|
| | | | | | | 4/4 | 3/4 | 1/2 | 0 | 4/4 | | 3/4 | 1/2 | 4/4 | 3/4 | 1/2 | | | | |
| 460 | Y | 60 | 3.00 | 2.00 | 870 | 4.80 | 4.10 | 3.70 | 3.00 | 25.0 | 85.5 | 86.5 | 85.5 | 68.0 | 59.0 | 45.0 | 18.0 | 172 | 289 | |
| 230 | YY | 60 | 3.00 | 2.00 | 870 | 9.60 | 8.26 | 7.30 | 6.00 | 50.0 | 85.5 | 86.5 | 85.5 | 68.0 | 59.0 | 45.0 | 18.0 | 172 | 289 | |
| Frame Type 215TC | | Type of constr.: (E) Foot mounted - C-Face | | | | Ins. Cl.: F | | Motor Prot.: (A) Without Protection | | | | NEMA Des.: B | | S.F.: 1.15 | | | | | | |
| Mtr WT: 141 lbs | | Mounting: (3) F-1, Standard Floor Mount, T. Box LHS | | | | Temp. Rise Cl.: B | | Amb. Temp.: +40 to -20 °C @1000 m | | | | kVA: H | | IP55 | | | | | | |

Mechanical data

WK2

| | | |
|------------------------------|------|--------------------|
| Rotor Moment of Inertia: | 1 | Lb-ft ² |
| Ext Load Inertia Capability: | 87.0 | Lb-ft ² |

Safe Stall Time

| | | |
|-------|------|---|
| Hot: | 19.0 | s |
| Cold: | 31.0 | s |

Typical Noise Data

| | | |
|------------------|------|-------|
| A-weighted Sound | | |
| Sound Pressure: | 73.0 | dB(A) |
| Sound Power: | 64.0 | dB(A) |

Octave Band Center Frequencies Hertz

| | 250 | 500 | 1000 | 2000 | 4000 | 8000 | Hz |
|------------|------|------|------|------|------|------|-------|
| SPL@3 feet | 42.0 | 52.0 | 64.0 | 54.0 | 47.0 | 34.0 | dB(A) |

Bearings

| | DE | NDE |
|---------------|---------------|---------------|
| Bearing size: | 6208 ZZ C3 S0 | 6208 ZZ C3 S0 |
| Bearing Type: | Ball Bearing | Ball Bearing |
| AFBMA: | 40BC02JPP30 | 40BC02JPP30 |

Grease

| | | | | |
|------------|-----------------|----|------|----|
| Capacity: | 0.30 | oz | 0.30 | oz |
| Type: | Exxon Mobile EM | | | |
| Thickener: | Polyurea | | | |

Frame

| | |
|-------------------------|----------------|
| Frame material: | cast iron |
| Coating (paint finish): | Standard Paint |
| Color, paint shade: | RAL 7030 |

Terminal box

| | |
|------------------------|---|
| Terminal box position: | (3) F-1, Standard Floor Mount, T. Box LHS |
|------------------------|---|

Lead Wire Connection

| | | | | | |
|--------------|--------------|-------|-------|--------------------|-----|
| Description: | 9 LEAD - WYE | | | | |
| Voltage | L1 | L2 | L3 | Connected together | |
| LOW | T1 T7 | T2 T8 | T3 T9 | T4 T5 T6 | Y Y |
| HIGH | T1 | T2 | T3 | T4 T7-T5 T8-T6 | Y |
| | | | | T9 | |

Ventilation Type

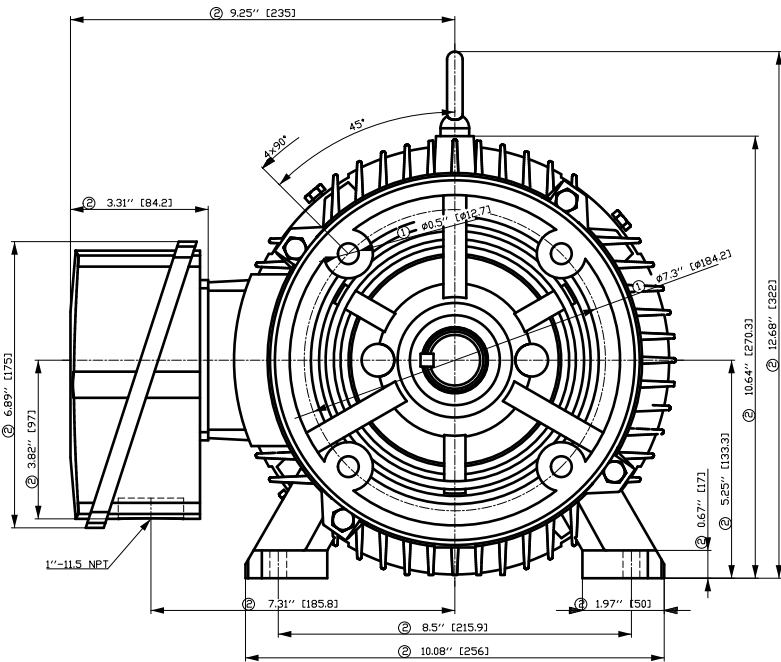
| | |
|------------------|---------------|
| Type of Cooling: | TEFC |
| Fan Material: | Polypropylen |
| Fan Rotation: | Bidirectional |

Additional information

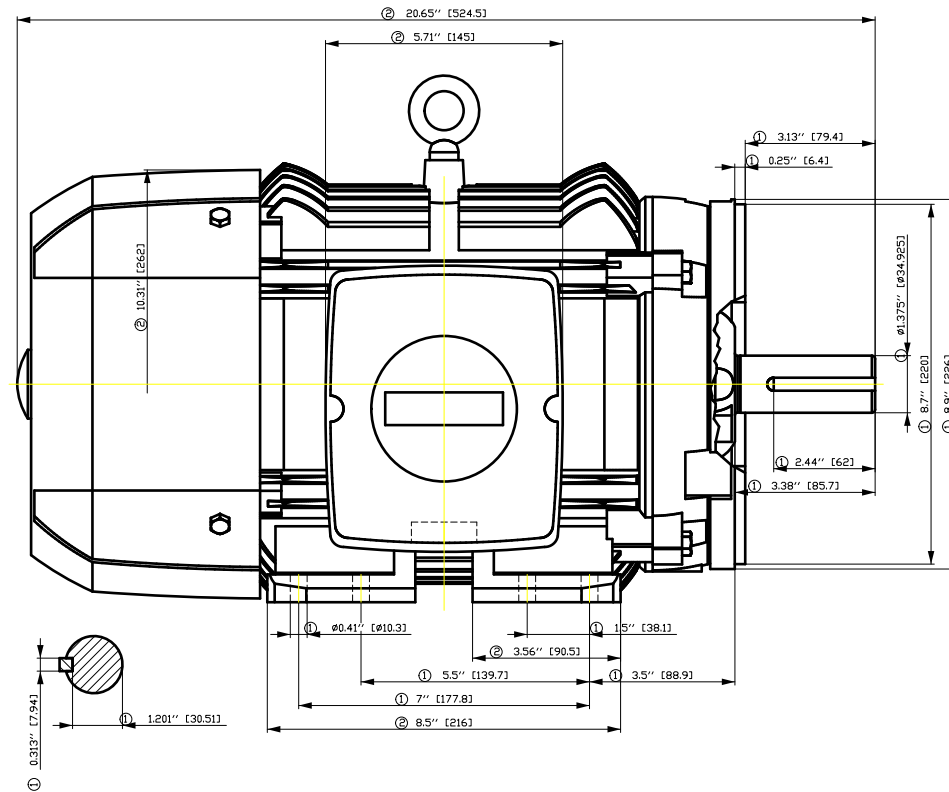
| | | |
|-----------------------|---------|----------|
| VFD Operation: | CT: 4:1 | VT: 20:1 |
| Area: classification: | without | |

Notes

I_r/I_N = locked rotor current / current nominal T_k/T_N = break down torque / nominal torque
 T_A/T_N = locked rotor torque / torque nominal ¹⁾ Value is valid only for DOL operation with motor design IC411



- ① Tolerances according to NEMA std.
- ② All these dimensions corresponding to assemblies and castings shall have a tolerance as per DIN standard 1686-GTB 19.
- ③ Not according to NEMA std.

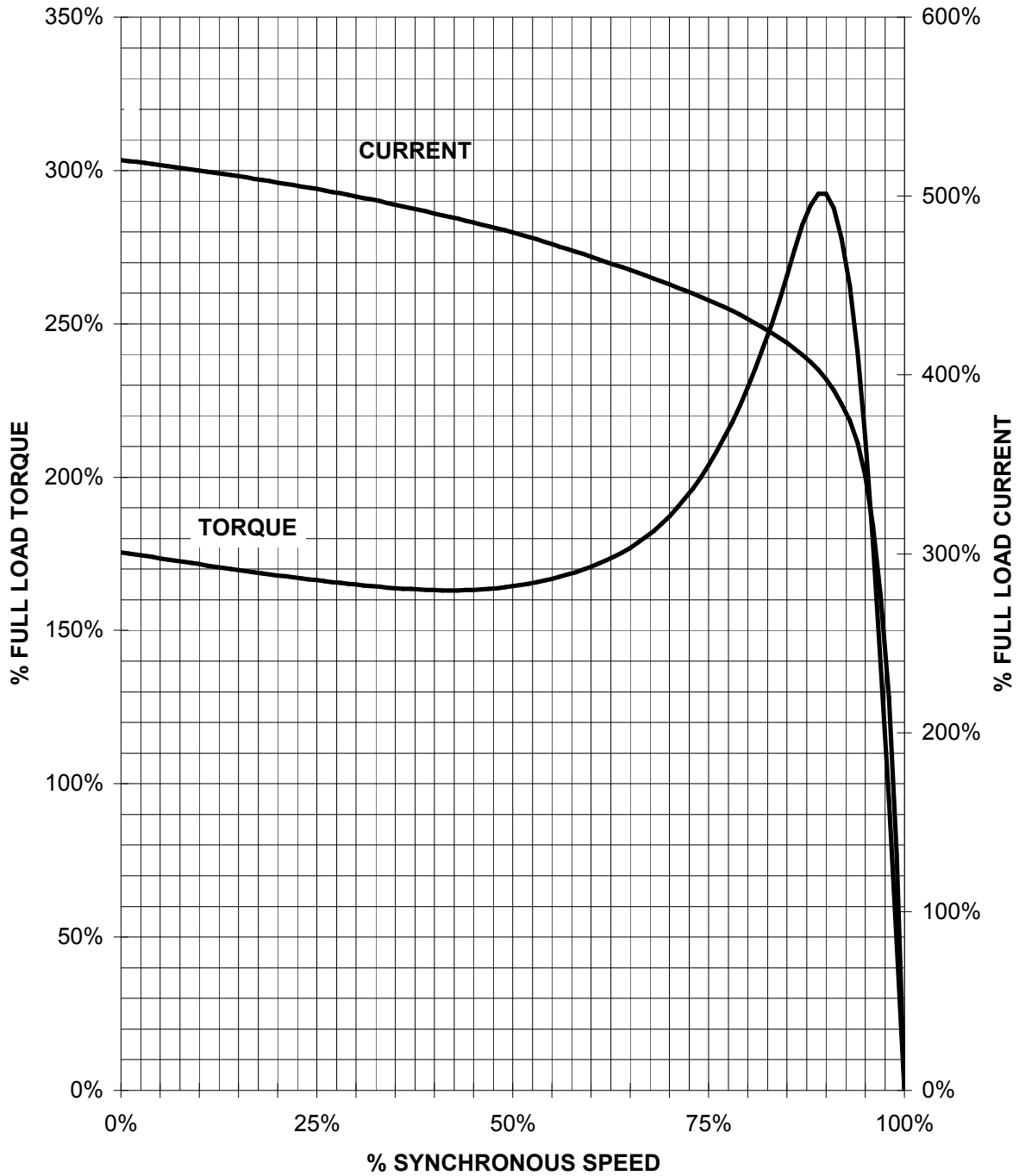


| Tolerance | Surface | Material | Weight | Scale |
|-------------------|--------------|-----------------|--------|-----------------|
| F50CGEFC00GF00EH | Author | ÖV | 1.201 | 1:1 |
| E | Creator | T a : ^ @ ~ } * | 8.9 | 1:1 |
| | Approval | | | |
| | Department | | | |
| | Change Order | MFB | | |
| | Doc. State | i 0 0 E | | Paper Size CH |
| SIEMENS | Revision | Index RS | | 1st Language ^ |
| © Siemens AG 2018 | Project No | E | | 2nd Language a^ |
| | | | | Sheet F of F |

SIEMENS INDUSTRY, INC.

HP 3 VOLTS < 600V RPM 900 TYPE GP100
HZ 60 PHASE 3 FRAME 215T NEMA B

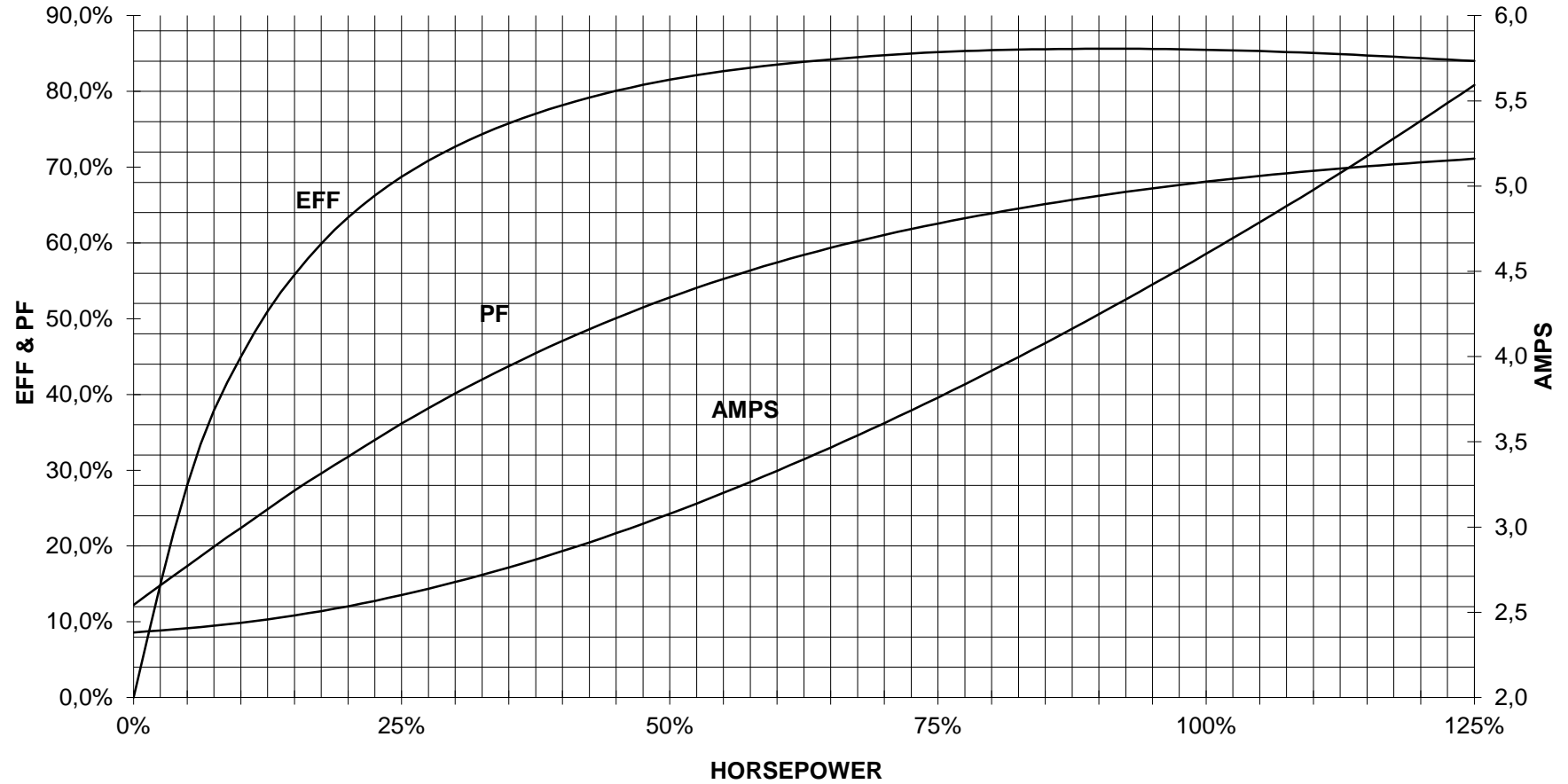
TORQUE & CURRENT VS. SPEED



CUSTOMER: _____ ORDER#: _____

3 HP 900 RPM 215T FRAME 460 VOLTS 3 PHASE NEMA DESIGN B

SIEMENS INDUSTRY, INC.
PERFORMANCE CURVE
GP100

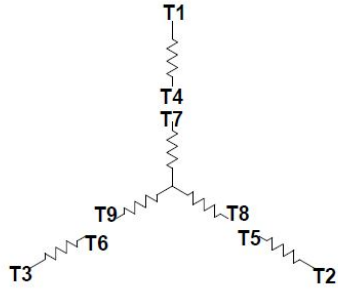


CUSTOMER _____ ORDER # _____ PO # _____

PERFORMANCE BASED ON DESIGN CALCULATIONS. SUBJECT TO CHANGE WITHOUT NOTICE.

REV. 1

Main terminal diagram



| 9 LEAD WYE | | | | | | |
|------------|----------|----------|----------|--------------------|-------|--|
| Volts | LINES | | | CONNECTED TOGETHER | CONN. | |
| | L1 | L2 | L3 | | | |
| LOW | T1 T7 | T2 T6 | T3 T9 | T4 T5 T6 | YY | |
| HIGH | T1 | T2 | T3 | T4 T7-T5 T8-T6 T9 | Y | |

| | | | | |
|-------------------------------|---------------------------------|-----------------------------|-------------------|-------------|
| responsible dep. DI MC LVM | technical reference | created by | approved by | project |
| SIEMENS | document type Wiring Diagram | document status free | | customer |
| | title 1LE2221-2AD21-4EA3 | document number | | |
| © Siemens AG 2019 | rev. 01 | creation date 12/03/2019 | language en/en | Page 1/1 |