

## Data sheet for three-phase Squirrel-Cage-Motors

Totally Enclosed Fan Cooled (TEFC)



MLFB-Ordering data: 1LE2211-1AA31-4AA3

Motor type: GP100 - NEMA Premium Efficiency Plus

Client order no.:

Order no.:

Offer no.:

Remarks:

Item no.:

Consignment no.:

Project:

U [V]	$\Delta/Y$	f [Hz]	P [HP]	P [kW]	n [rpm]	I Load [Amps]					LRC	Nom. Eff Load [%]			Pwr. Factor Load [%]			Torque [lb-ft]	$T_A/T_N$ LRT [%]	$T_k/T_N$ BDT [%]
						4/4	3/4	1/2	0	4/4		3/4	1/2	4/4	3/4	1/2				
460	Y	60	2.00	1.50	3,550	2.60	2.10	1.70	1.20	25.0	88.5	88.0	85.0	83.0	77.0	66.0	3.0	250	500	
230	YY	60	2.00	1.50	3,550	5.20	4.15	3.34	2.40	50.0	88.5	88.0	85.0	83.0	77.0	66.0	3.0	250	500	

Frame Type 145T	Type of constr.: (A) Foot mounted - End shield	Ins. Cl.: F	Motor Prot.: (A) Without Protection	NEMA Des.: B	S.F.: 1.15
Mtr WT: 66 lbs	Mounting: (3) F-1, Standard Floor Mount, T. Box LHS	Temp. Rise Cl.: B	Amb. Temp.: +40 to -20 °C @1000 m	kVA: L	IP55

### Mechanical data

#### WK2

Rotor Moment of Inertia: 0 Lb-ft<sup>2</sup>

Ext Load Inertia Capability: 2.4 Lb-ft<sup>2</sup>

#### Safe Stall Time

Hot: 18.0 s

Cold: 26.0 s

#### Typical Noise Data

##### A-weighted Sound

Sound Pressure: 76.0 dB(A)

Sound Power: 64.0 dB(A)

##### Octave Band Center Frequencies Hertz

	250	500	1000	2000	4000	8000	Hz
SPL@3 feet	44.0	52.0	62.0	59.0	54.0	46.0	dB(A)

#### Bearings

	DE	NDE
Bearing size:	6205 ZZ C3 S0	6205 ZZ C3 S0
Bearing Type:	Ball Bearing	Ball Bearing
AFBMA:	25BC02JPP30	25BC02JPP30

#### Grease

Capacity:	0.10 oz	0.10 oz
Type:	Exxon Mobile EM	
Thickener:	Polyurea	

#### Frame

Frame material:	cast iron
Coating (paint finish):	Standard Paint
Color, paint shade:	RAL 7030

#### Terminal box

Terminal box position: (3) F-1, Standard Floor Mount, T. Box LHS

#### Lead Wire Connection

Description:	9 LEAD - WYE				
Voltage	L1	L2	L3	Connected together	
LOW	T1 T7	T2 T8	T3 T9	T4 T5 T6	YY
HIGH	T1	T2	T3	T4 T7-T5 T8-T6 T9	Y

#### Ventilation Type

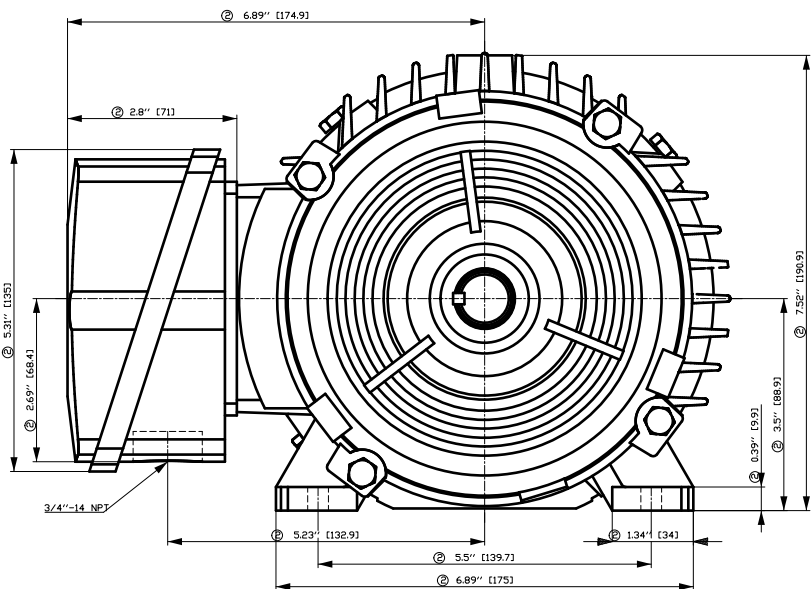
Type of Cooling:	TEFC
Fan Material:	Polypropylen
Fan Rotation:	Bidirectional

#### Additional information

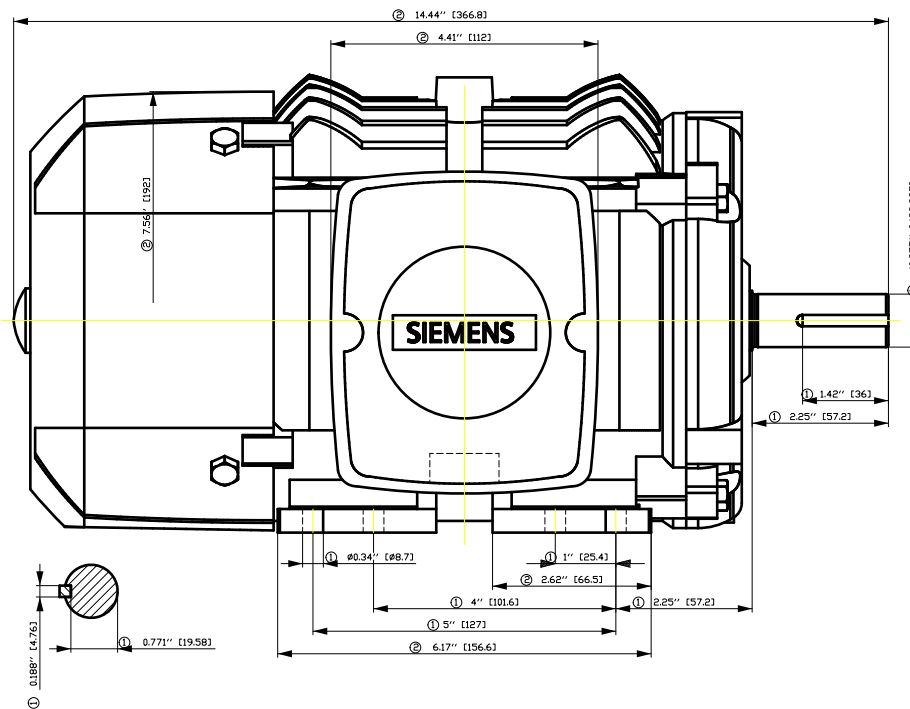
VFD Operation:	CT: 10:1	VT: 20:1
Area: classification:	without	

#### Notes

$I_A/I_N$  = locked rotor current / current nominal  $T_k/T_N$  = break down torque / nominal torque  
 $T_A/T_N$  = locked rotor torque / torque nominal <sup>1)</sup> Value is valid only for DOL operation with motor design IC411



- ① Tolerances according to NEMA std.
- ② All these dimensions corresponding to assemblies and castings shall have a tolerance as per DIN standard 1686-GTB 19.
- ③ Not according to NEMA std.

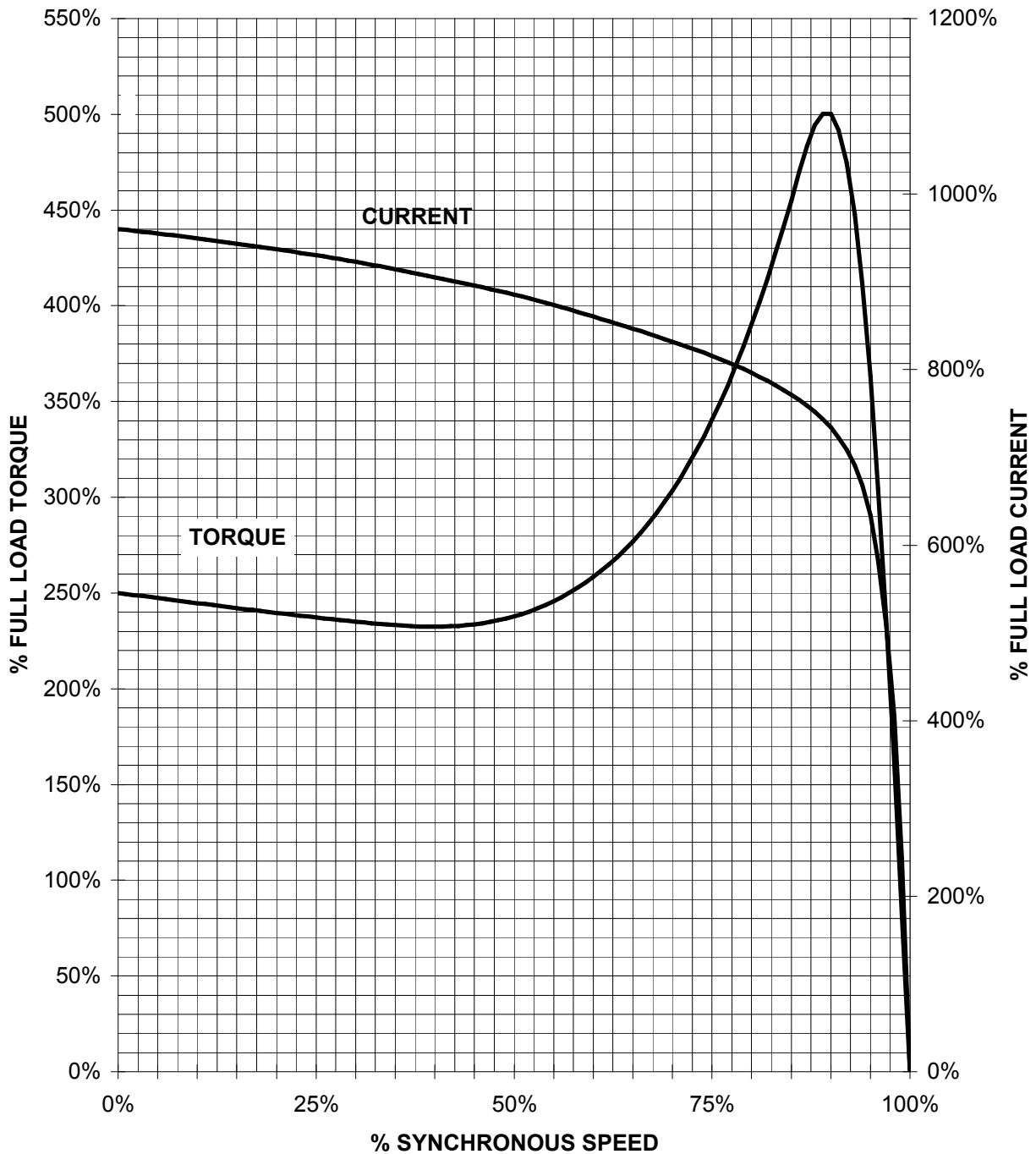


Tolerance	Surface	Material	Weight	Scale
F50GFF001FF001	Author Creator Approval Department Change Order	Õª^)*}ªªªªª* Tªª:ªªªªª* MLFB	Ë	
Ë	ÖVS			
	Tªª:ªªªªª*			
	Doc. State			
	Revision			
SIEMENS	Index	RS	Item No	Paper Size
© Siemens AG 2018	Project No	Ë	Doc No	1st Language 2nd Language
			Ref No	Ë
				Sheet F of F

# SIEMENS INDUSTRY, INC.

HP 2 VOLTS < 600V RPM 3600 TYPE GP100 NPP  
HZ 60 PHASE 3 FRAME 145T NEMA B

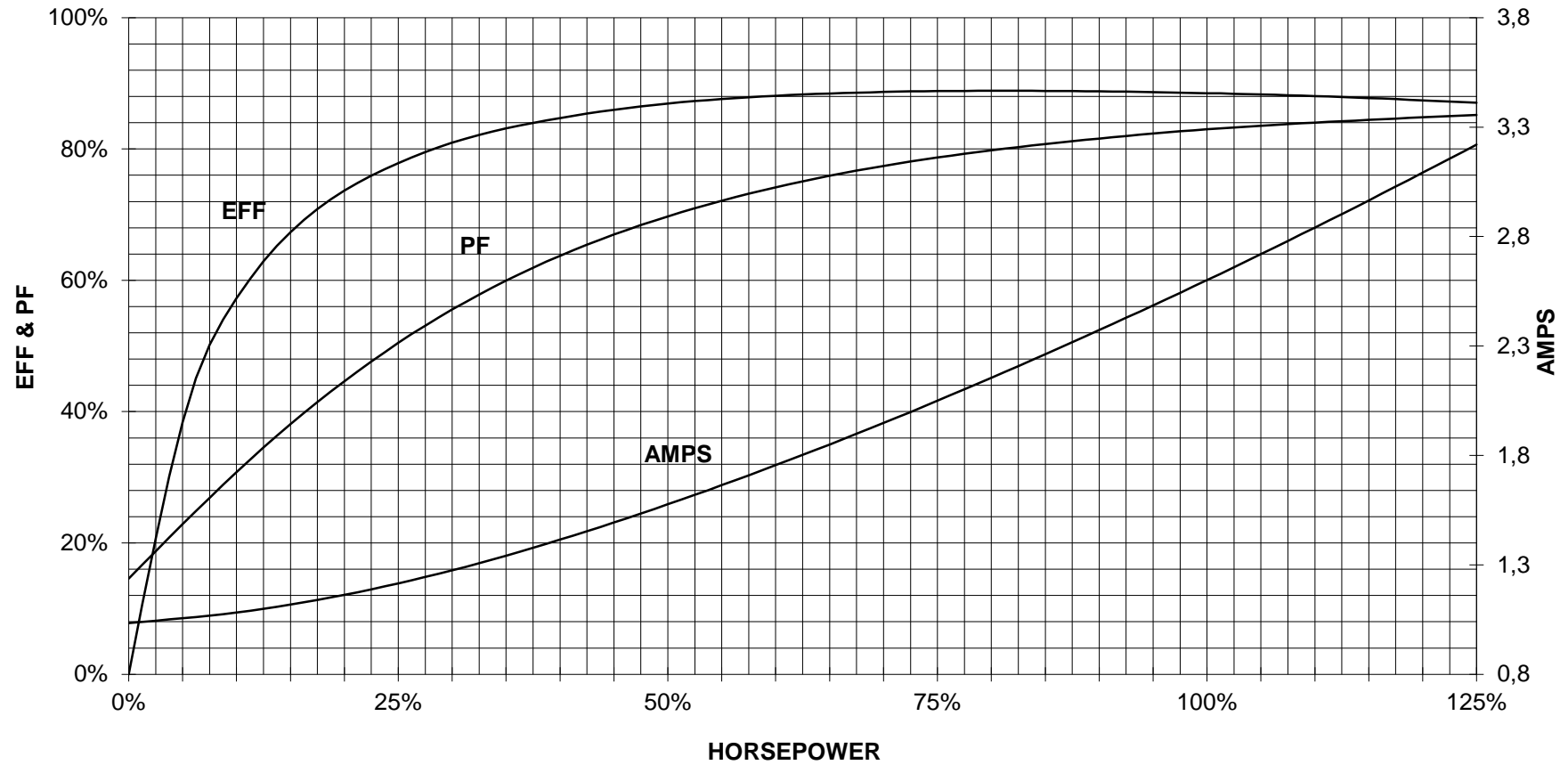
## TORQUE & CURRENT VS. SPEED



CUSTOMER: \_\_\_\_\_ ORDER#: \_\_\_\_\_

2 HP 3600 RPM 145 FRAME 460 VOLTS 3 PHASE NEMA DESIGN B

**SIEMENS INDUSTRY, INC.**  
**PERFORMANCE CURVE**  
**GP100 NPP**



CUSTOMER \_\_\_\_\_ ORDER # \_\_\_\_\_ PO # \_\_\_\_\_

PERFORMANCE BASED ON DESIGN CALCULATIONS. SUBJECT TO CHANGE WITHOUT NOTICE.

REV. 1

Main terminal diagram



9 LEAD WYE						
Volts	LINES			CONNECTED TOGETHER	CONN.	
	L1	L2	L3			
LOW	T1 T7	T2 T6	T3 T9	T4 T5 T6	YY	
HIGH	T1	T2	T3	T4 T7-T5 T8-T6 T9	Y	

responsible dep. DI MC LVM	technical reference	created by	approved by	project
<b>SIEMENS</b>	document type Wiring Diagram	document status free		customer
	title 1LE2211-1AA31-4AA3	document number		
© Siemens AG 2019	rev. 01	creation date 12/03/2019	language en	Page 1/1