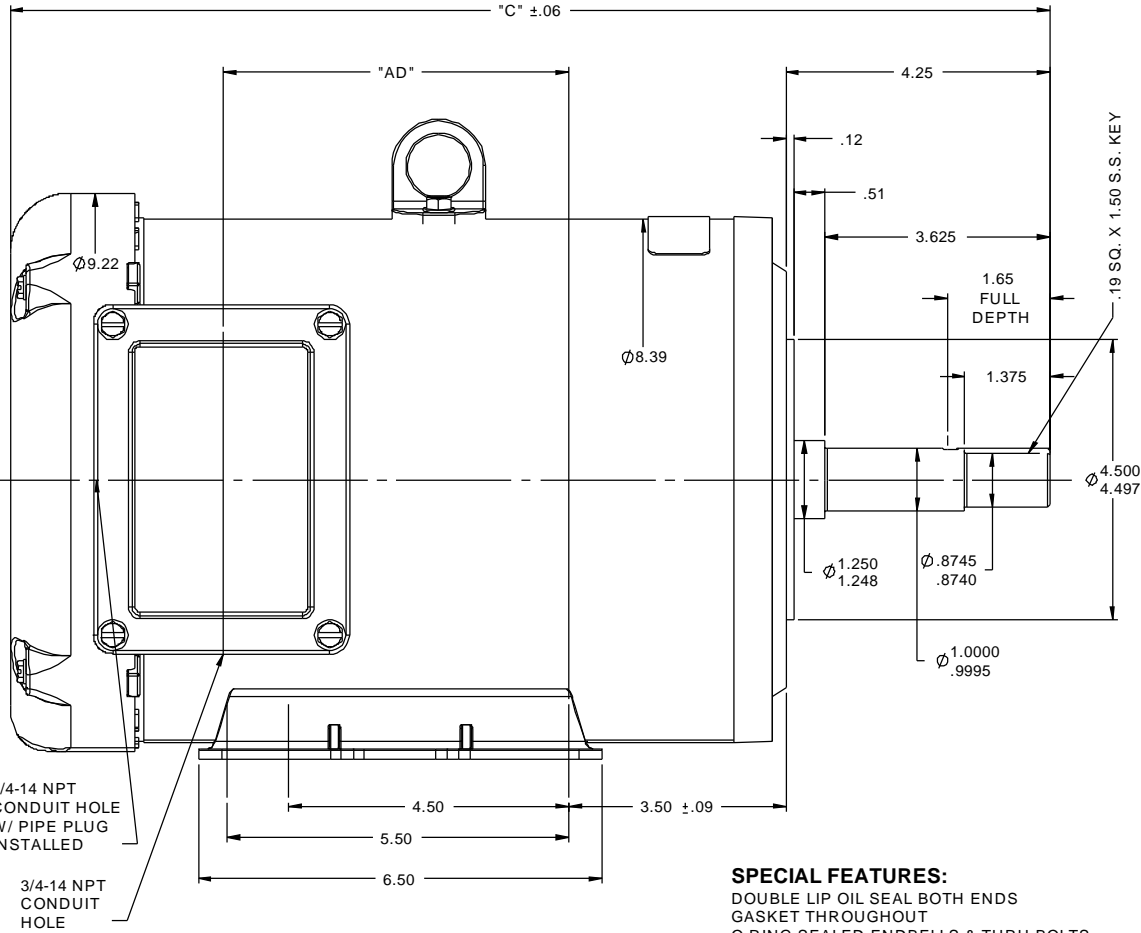


RBC PROPRIETARY AND CONFIDENTIAL INFORMATION  
 This document is the property of REGAL BELOIT CORPORATION ("RBC") including its subsidiaries and divisions and contains proprietary information of RBC. This document is loaned on the express condition that neither it nor the information contained therein shall be disclosed to others without the express written consent of RBC, and that the information shall be used by the recipient only as approved expressly by RBC. This document shall be returned to RBC upon its request. This document may be subject to certain restrictions under U.S. export control laws and regulations.

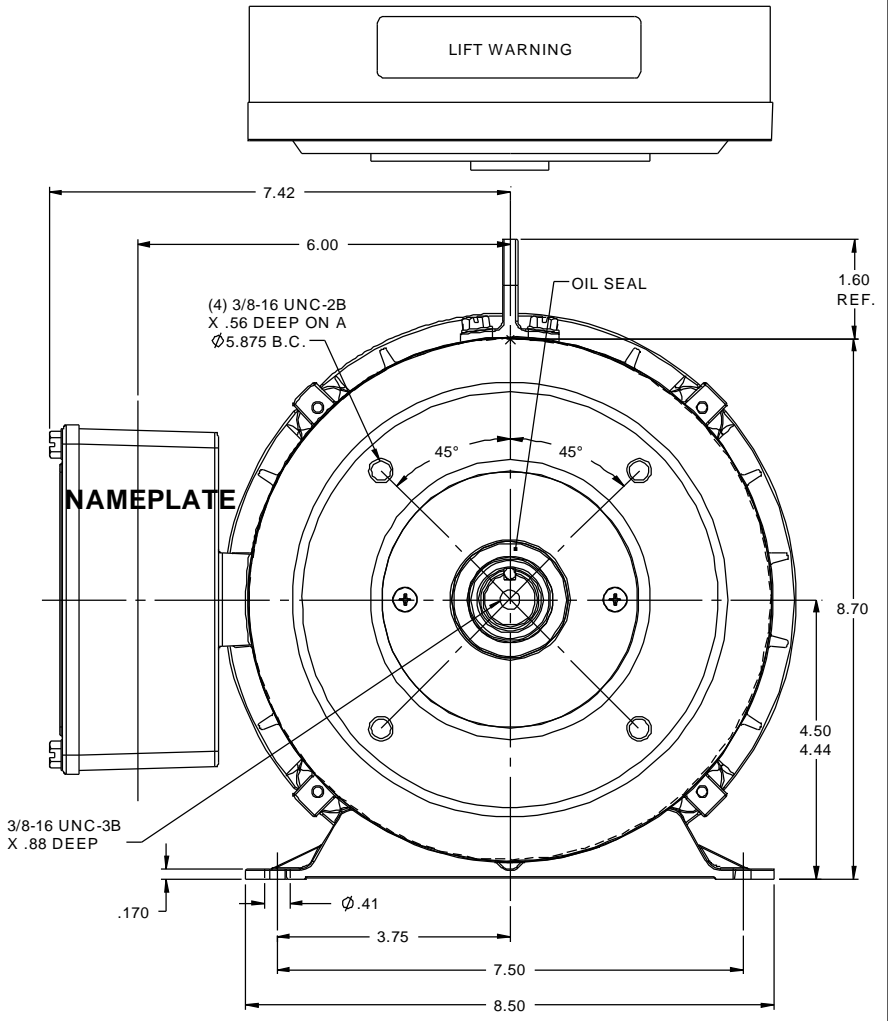


3/4-14 NPT CONDUIT HOLE W/ PIPE PLUG INSTALLED  
 3/4-14 NPT CONDUIT HOLE

DASH NO.	"C"	"AD"
900	16.20	5.06
950	16.77	5.56

MAXIMUM FACE RUNOUT TO BE .004 T.I.R.  
 MAXIMUM PILOT ECCENTRICITY TO BE .004 T.I.R.  
 PERMISSIBLE SHAFT RUNOUT TO BE .002 T.I.R.

**SPECIAL FEATURES:**  
 DOUBLE LIP OIL SEAL BOTH ENDS  
 GASKET THROUGHOUT  
 O-RING SEALED ENDBELLS & THRU BOLTS  
 LOCKED BEARING W/ SEALED LOCK SCREWS



TOLERANCES UNLESS SPECIFIED		marathon <sup>®</sup> electric	DRAWN GR 03/15/13
DEC	INCHES		
X	±.1	TITLE OUTLINE - 180JM FRAME TEFC - RIGID "C" MAT'L STAINLESS STEEL DUCK	APPR
XX	±.03		SCALE 1:2
XXX	±.005		REF
XXXX	±.0005		FMF
NO	REVISION	BY & DATE	PAGE OF
	THIRD ANGLE PROJECTION	CHK ANG ±1/2°	FINISH
		RFP	PREV
		NETWORK FILE NAME 035484ME	SIZE B
			DRAWING NO 035484ME
			REV