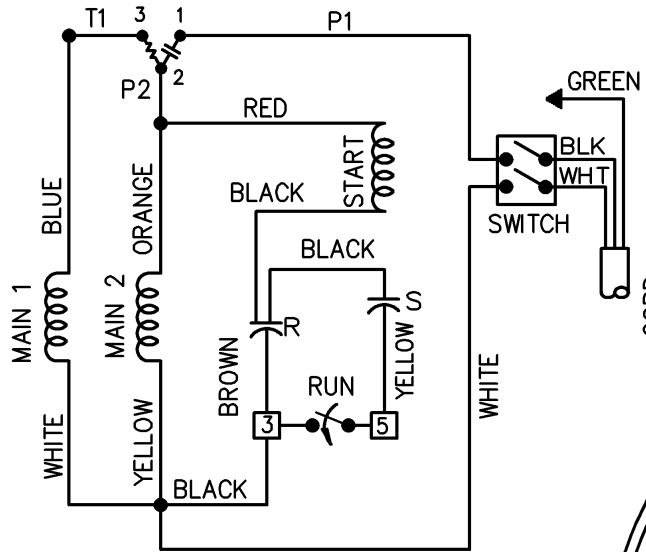
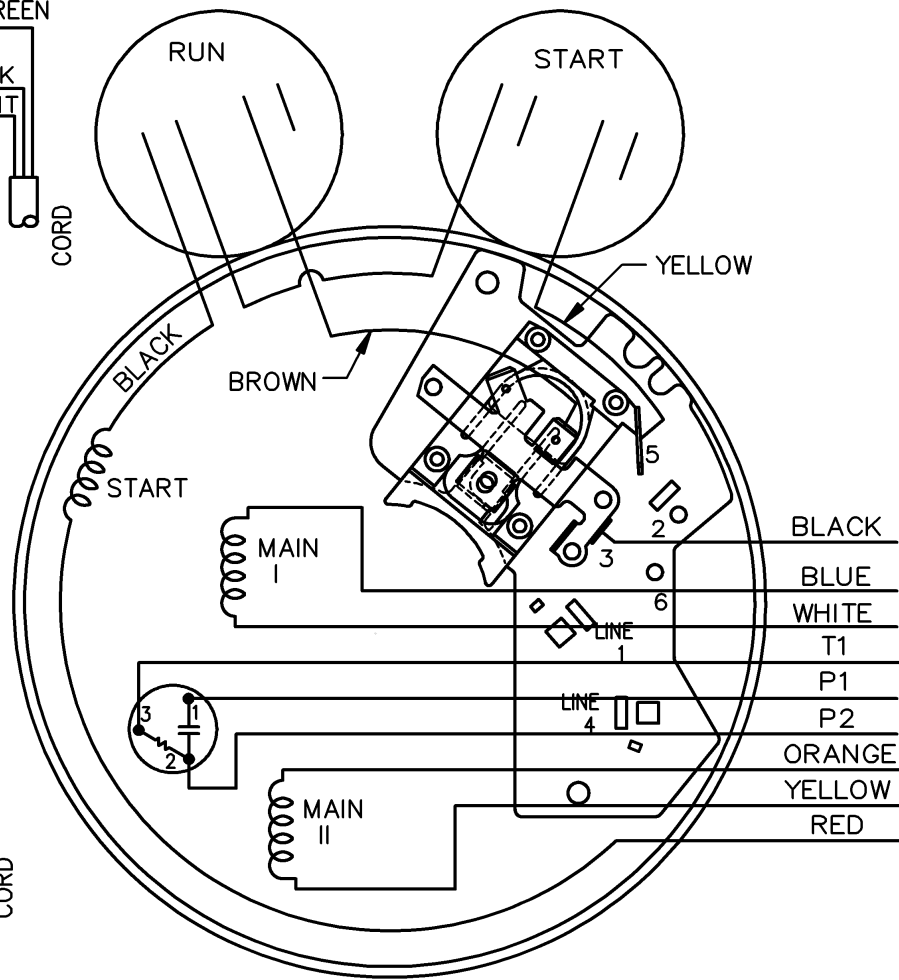
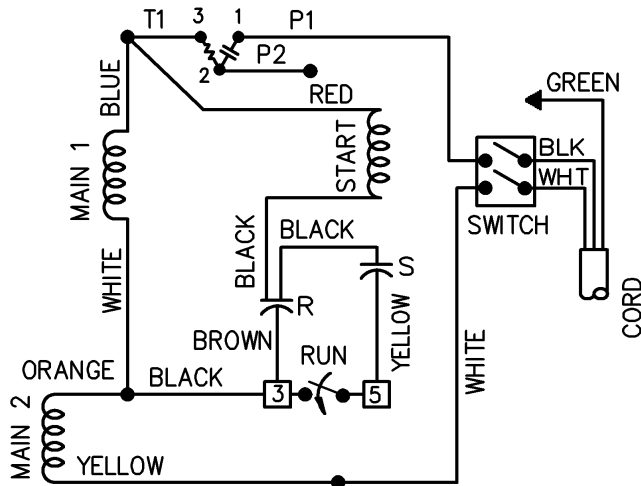


LOW VOLTAGE C.C.W.



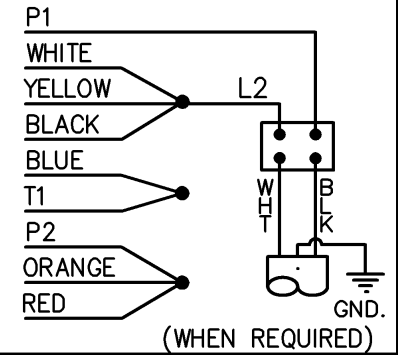
HIGH VOLTAGE C.C.W.



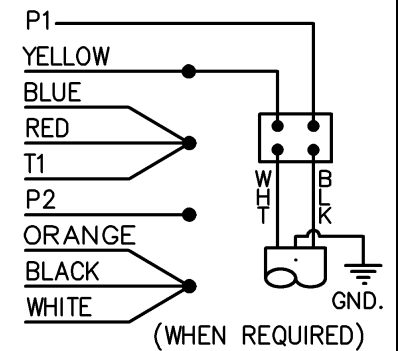
102006-60

DUAL VOLTAGE
CAP START-CAP RUN
OVERLOAD
SELECT ROTATION

LOW VOLT. CCW ROT.



HIGH VOLT. CCW ROT.



FOR CW ROT. EITHER
VOLTAGE INTERCHANGE
RED WITH BLACK LEAD.

TOLERANCES
UNLESS SPECIFIED
DEC. INCHES



DRAWN	DD	04-20-1994
CHK	ML	04-21-1994
APPD	MB	04-26-1994
SCALE	5=8	
REF		
FMF		
PREV		

03	ADDED (WHEN REQUIRED TO CORD)	MU29193	CAV 02-25-2000	.XX	±.02
02	CAP LEAD COLORS REV'D	CN 16210	MRB 11-16-1994	.XXX	±.005
01	NEW DRAWING	4138426	DD 05-02-1994	.XXXX	±.0005
NO.	REVISION	BY & DATE	CHK	ANG	±7'30"

TITLE CONNECTION DIAGRAM

RFP CAD FILE 10200660
DIST WP

SIZE A DRAWING NO. 102006-60 PAGE OF 03 REV.