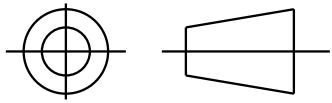


SHEET 1
REV 2

52A110735

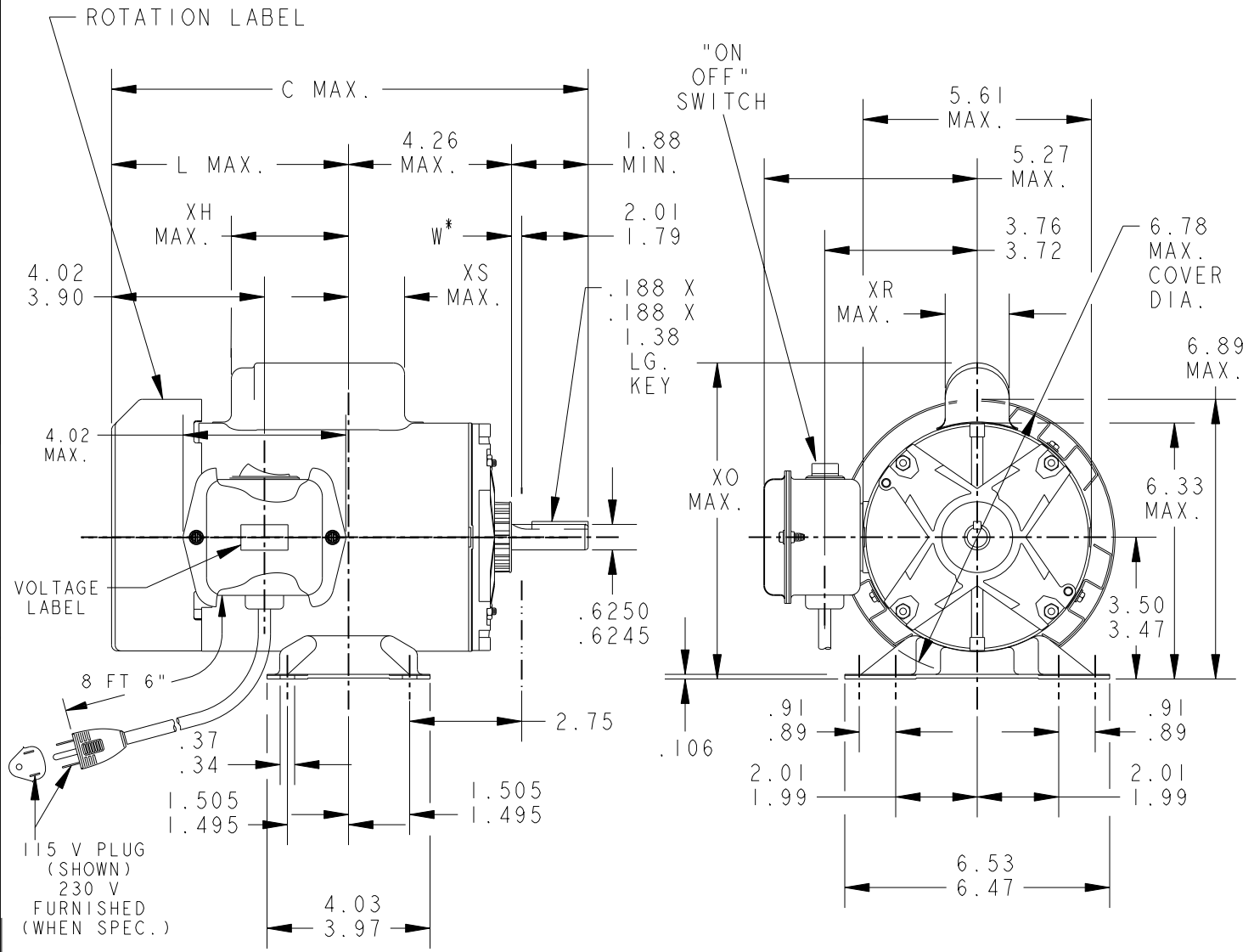
SIZE DRAWING NO. A

THIRD ANGLE PROJECTION



REVISIONS


REV.	DESCRIPTION	DATE	APPROVED
1	REVISED BOX, ADDED LABELS.	02/08/01	M.D.PAPE
2	CHG TO RBC FORMAT PER ISO5-1777	04/26/06	SUDHA



W* IS A CLEARANCE DUE TO VARIATION IN PARTS AND ASSEMBLY

I	KC	33	56	11.36	5.18	2.58	7.81	1.60	2.69	6.22
P	TYPE	GE SIZE	NEMA FR	C	L	XH	XO	XR	XS	SHELL LGTH.

	SIGNATURES		DATE
	MODEL	R.P.C.	10/05/00
DETAIL	.	.	
CHECKED	.	.	
ENGRG	.	.	
MFG	.	.	
FOR ADDITIONAL INFO REFER TO:	QUALITY	.	.
APPLIED PRACTICES	ISSUED	R.P.C.	10/05/00
DIMENSIONS ARE IN INCHES ✓	SOLID MODEL: 52A110735		



REGAL-BELOIT CORPORATION

TITLE
OUTLINE
GENERAL PURPOSE MOTOR - FORM N - TOTALLY ENCLOSED
OUTBOARD FAN - WELDED BASE - BALL BEARING

SIZE DRAWING	52A110735	REV
A		2

SCALE: 0.250 REF. No: . SHEET 1 of 1

