



**P.O. BOX 8003
WAUSAU, WI 54401-8003
PH. 715-675-3311**

CUSTOMER:

ORDER #:

CONN. DIAGRAM: A-EE9048MF

OUTLINE: 037754-965

WINDING #: BK10269 R1 1

CERTIFICATION DATA SHEET

CUSTOMER PO#:

MODEL #: 213TBFW17005 AA

CUSTOMER PART #:

MOUNTING: F2 ONLY

TYPICAL MOTOR PERFORMANCE DATA

HP	kW	SYNC. RPM	F.L. RPM	FRAME	ENCLOSURE	KVA CODE	DESIGN
5	3.70	3600	3535	213T	TEFC	G	L

PH	HZ	VOLTS	AMPS	START TYPE	DUTY	INSL	S.F.	AMB°C
1	60	208-230	23.6-22-22	ACROSS THE LINE	CONTINUOUS	F4	1.4	40

FULL LOAD EFF: 79	3/4 LOAD EFF: 76.8	1/2 LOAD EFF: 70	GTD. EFF	ELEC. TYPE
FULL LOAD PF: 92	3/4 LOAD PF: 90	1/2 LOAD PF: 84	0	CAP START CAP RUN

F.L. TORQUE	LOCKED ROTOR AMPS	L.R. TORQUE	B.D. TORQUE	F.L. RISE°C
7.4 LB-FT	194	25.8 LB-FT 349 %	26.2 LB-FT 354 %	70

SOUND PRESSURE @ 3 FT.	SOUND POWER	ROTOR WK^2	MAX. WK^2	SAFE STALL TIME	STARTS / HOUR	APPROX. MOTOR WGT
0 dBA	10 dBA	0 LB-FT^2	0 LB-FT^2	10 SEC.	0	117 LBS.

***** SUPPLEMENTAL INFORMATION *****

DE BRACKET TYPE	ODE BRACKET TYPE	MOUNT TYPE	ORIENTATION	SEVERE DUTY	HAZARDOUS LOCATION	DRIP COVER	SCREENS	PAINT
STANDARD	STANDARD	RIGID	HORIZONTAL	FALSE	NONE	FALSE	NONE	BLUE - MARATHON

BEARINGS	GREASE	SHAFT TYPE	SPECIAL DE	SPECIAL ODE	SHAFT MATERIAL	FRAME MATERIAL
DE ODE BALL 6307	POLYREX EM	T	NONE	NONE	AISI 1045 (C-240)	ROLLED STEEL

THERMO-PROTECTORS			THERMISTORS	CONTROL	SPACE HEATERS
PROTECTORS	WDG RTDS	BRG RTDS	NONE	FALSE	NONE
NONE	NOT	NONE	NONE	FALSE	NONE

*** N O T E**

INVERTER TORQUE: NONE
INV. HP SPEED RANGE: NONE

ENCODER: NONE
NONE
NONE
NONE PPR

S

BRAKE:	NONE	NONE	NONE
	NONE	P/N	NONE
	NONE	NONE	NONE
	NONE	FT-LB	NONE V NONE Hz

*

PREPARED BY: Eric F
 Schachtschneider **DATE:**
 08/18/2020 03:34:52 PM
 FORM 3531 REV.3 02/07/99
 ** Subject to change without
 notice.

AC Motor - Nameplate

Product Features

Motor No. 213TBFW17005 Edited By HLP-195591
 Model 213TBFW17005AA Catalog N/A
 Description 5,3600,TEFC,213T,1/60/208-230 Effective Date 12/28/2018
 Product Line 210 NP Seq 0
 Auth BOM/RT See Status Channel MAR Status OBSOLETE
 Stock Class B Source Location MT2

Nameplate Data

N/P Part No. 36365-1638	Volts 208-230	Hertz 60	Volts
Hertz 60	FL Amps 23.6-22-22	HP 5	HP
HP 5	SF Amps 33-31-31	KW 3.70	KW
FL PF (Cos) 92(0.92)	RPM 3535	FL Eff 79	FL PF (Cos)
FL Eff 79	NP Frame 213T	Eff. 75%	FL Eff
Eff. 75%	Phase 1	SF 1.4	Eff. 75%
SF 1.4	Max Amb(C) 40	Assembly Mtg F2 ONLY	SF
Assembly Mtg F2 ONLY	IP Code 43	NEMA Design L	Motor Type BFR
NEMA Design L	PE Bearing 6307	Duty CONTINUOUS	Insulation Class F4
Duty CONTINUOUS	RoHS N	Full Load Rise 70	Enclosure TEFC
Full Load Rise 70	Prot. Number NONE	KVA Code G	IC Code 41
KVA Code G	Max KVAR 0	UL V-INS, CONST UL REC	OPE Bearing 6206
UL V-INS, CONST UL REC	Lubrication POLYREX EM	CC Number EXEMPT	CSA Y
CC Number EXEMPT	Shaft Dia 1 3/8 IN	Protector NOT	CE Y
Protector NOT	Inverter Load NONE	Wdg. RTDs NONE	Lead Desc. 4-9 INCH
Wdg. RTDs NONE	Rtr WK 0	Hazardous Loc NONE	Thermostats NONE
Hazardous Loc NONE	Max Safe RPM 5400	Stack Length 3.75	Thermistors NONE
Stack Length 3.75	Inv. Spd Range NONE	Rotation SELECTIVE CCW	Elevation 3300
Rotation SELECTIVE CCW	No Load Amps	Insulation System STANDARD	Carton Label
Insulation System STANDARD		Protector Code	Shipping Wt. 1.17

Inverter Duty Motor Information

Inverter Type
 Max Safe RPM 5400
 Inverter Load NONE
 Rtr WK 0
 Inv. Spd Range NONE
 No Load Amps

Hertz	HP	RPM	Torque	Volts	Amps
0	0	0	0	0	0
0	0	0	0	0	0
0	0	0	0	0	0
0	0	0	0	0	0
R1	R2	X1	X2	XM	
0.0	0.0	0.0	0.0	0.0	

Customer Concerns

No Results Found!

Special Instructions

- Name Plate
- Carton Label
- Assembly
- Test/Prep
- Paint/Pack
- Engineering
- Everyone

Oracle Customer Part Numbers

Customer #
186403

Customer Name
GARDNER DENVER COMPANY

Customer Part No.
24CA6958

Phone Number
(217)-222-5400

Oracle Customer Catalog

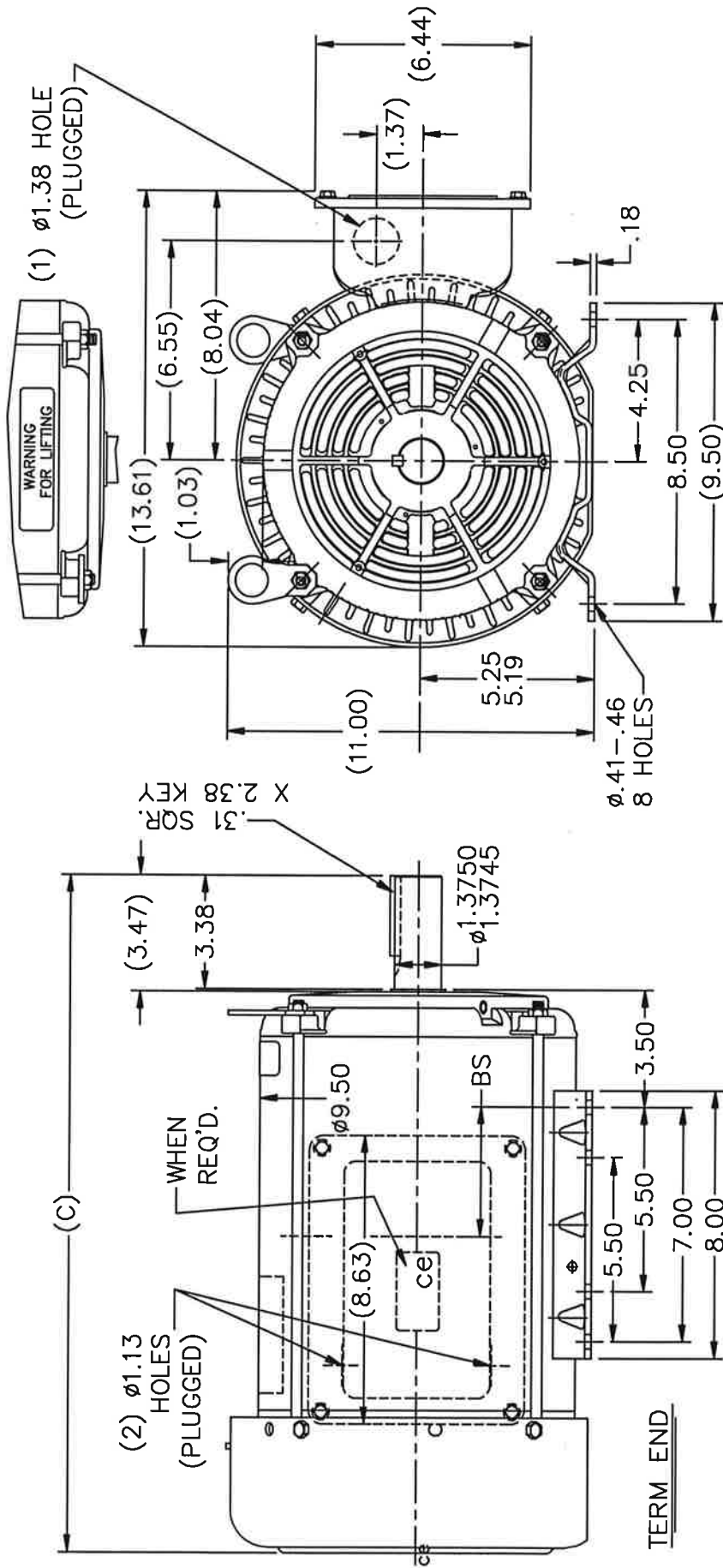
Customer #
No Results Found!

Customer Part No.

Oracle Revisions (LAST 5 REVISIONS)

A00	06/14/2012	100024384	GARDNER DENVER COMPANY, REF. 213TBFW17004, MU108246 (Jyoti Das)
0	06/14/2012	RBCSCHEDULER-MFG	N/A

037754

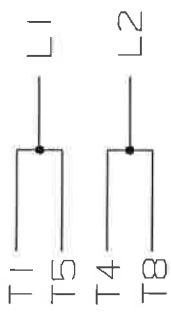


NOTES:
1. NAMEPLATE TO BE READ FROM C'BOX SIDE OF MOTOR.

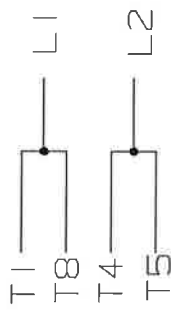
DRAWN UD 04/24/2012		MARATHON	
CHK	ST 04/24/2012	TITLE OUTLINE	
APPD		210T FR. TEFC - STD 1ø	
SCALE	1=4	MAT'L	
REF	OLME112480	FINISH	
FMF		BY & DATE	
PREV		REVISION	
SIZE DRAWING NO. PAGE 1 OF 1 REV.		THIS DRAWING IN DESIGN AND DETAIL IS OUR PROPERTY AND MUST NOT BE USED EXCEPT IN CONNECTION WITH OUR WORK. ALL RIGHTS OF DESIGN AND INVENTION ARE RESERVED. THIS IS AN ELECTRONICALLY GENERATED DOCUMENT - DO NOT SCALE THIS PRINT	
A 037754		RFP 04/24/2012 CAD FILE 037754	
		DIST LB	

A - EE9048MF

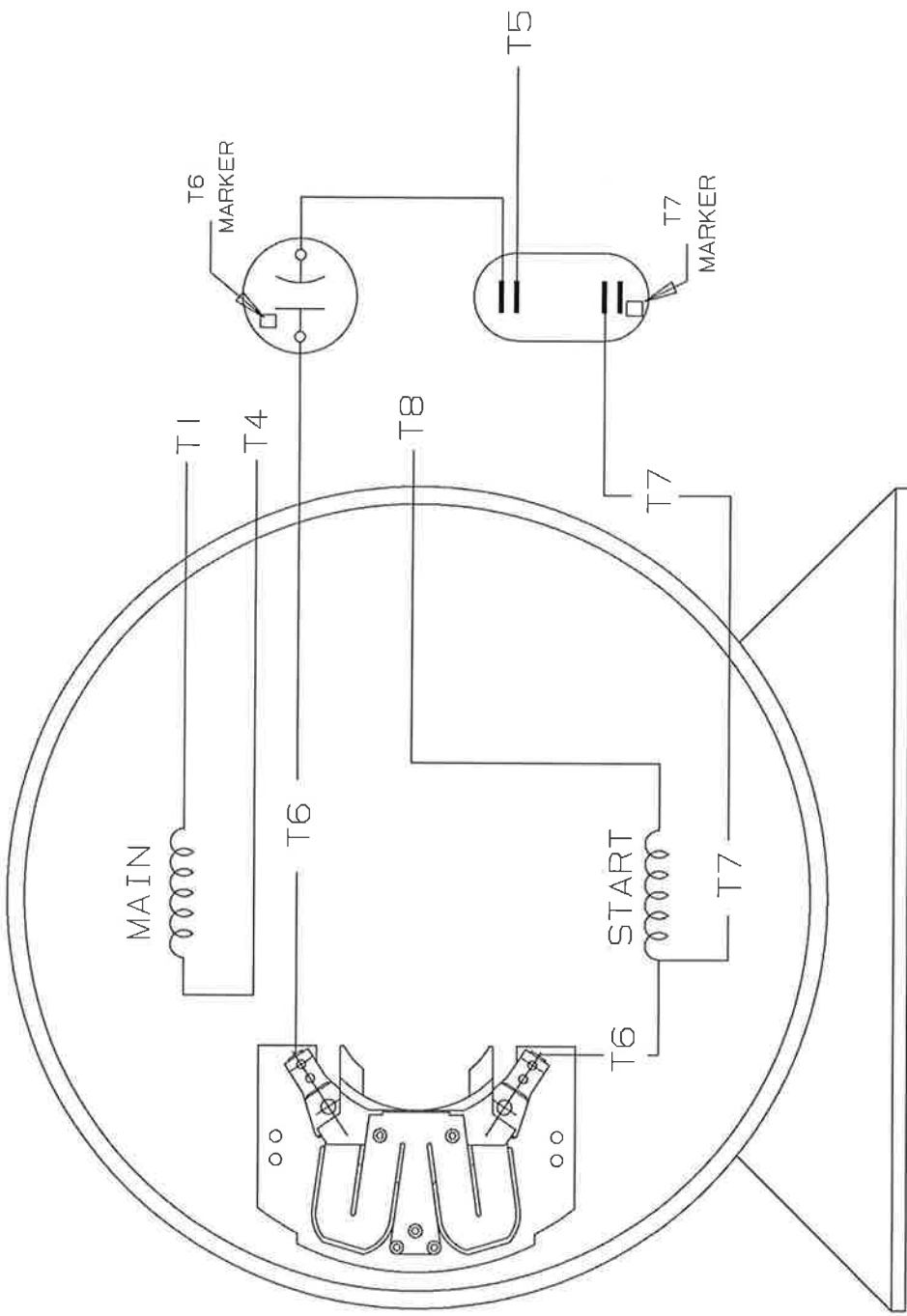
C.W. ROTATION



C.C.W. ROTATION



SINGLE VOLTAGE
CAPACITOR START
CAPACITOR RUN
REVERSIBLE



VIEW OF TERMINAL END

✓		MAX. SURFACE ROUGHNESS UNLESS NOTED OTHERWISE	UNLESS OTHERWISE SPECIFIED DIMENSIONS ARE IN INCHES TOL. ON XX± .005 XXX± .005 XXXX± .0005 ANGLES±
MATL SPEC		180 - 210 SWITCH	
FINISH		MARATHON ELECTRICAL	
REFERENCE DRW.		WAUSAU, WISCONSIN 54401	
PART NAME		CONNECTION DIAGRAM	
REV	DATE	NAME	DRWG NO
1	11-04-1986	CN 7664C	A - EE9048MF
		CHANGE	
		PURCHASED	
		SHOP BOOK	
		DISTRIBUTION - WA - LB - WP - LM - BR	
		CADD FILE NO.	

8/26/2007 8:04:20 PM - EE9048MF