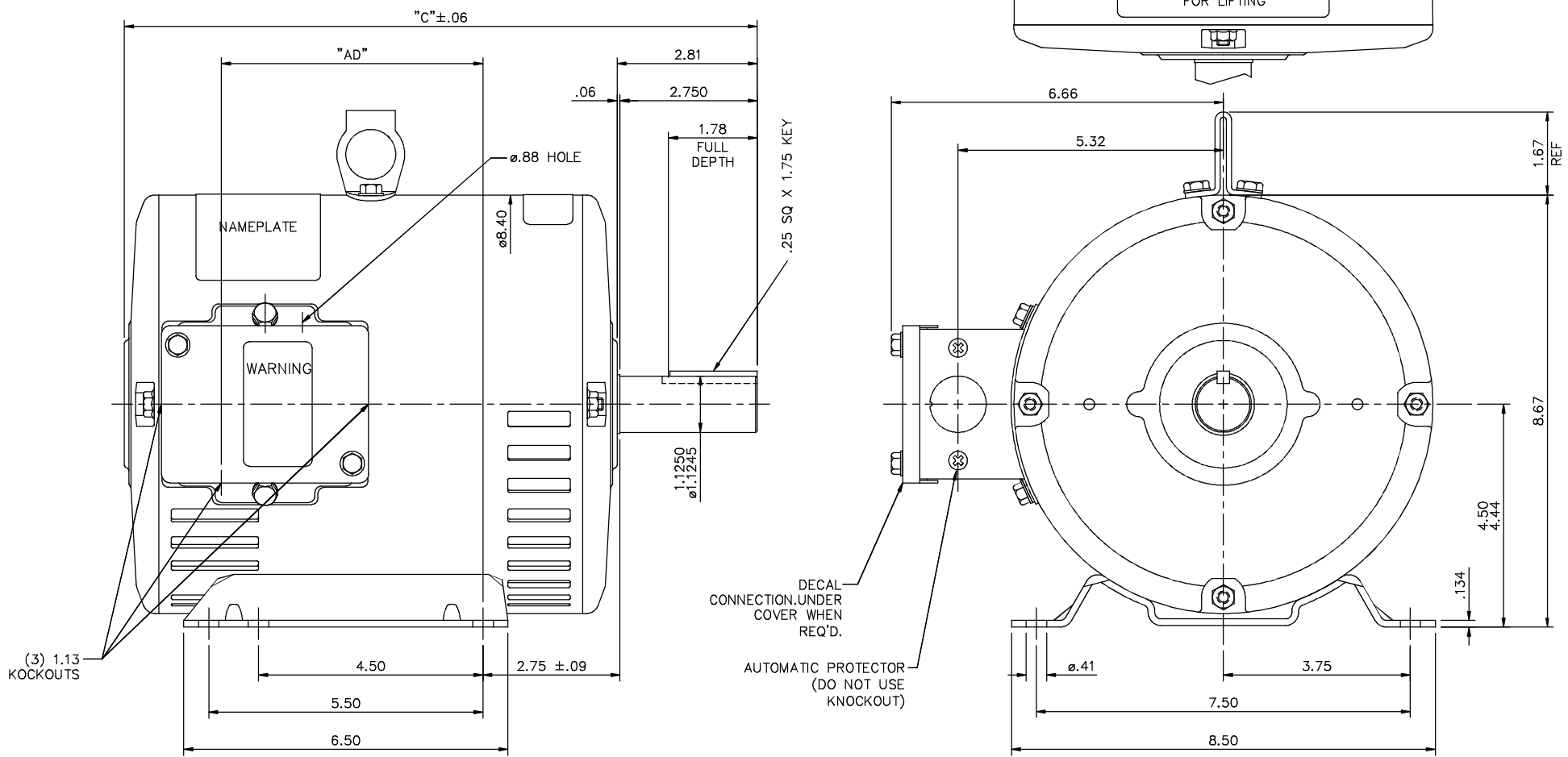


035947



GASKETS THROUGHOUT

DASH NO.	"C"	"AD"
850	12.69	5.25
900	13.19	5.75
950	13.69	6.25
1000	14.19	6.75
1050	14.69	7.25
1100	15.19	7.75
1150	15.69	8.25
1200	16.19	8.75

NO.		REVISION		BY & DATE		CHK		ANG		FINISH		CAD FILE		SIZE		DRAWING NO.		REV.			
<p>THIS DRAWING IN DESIGN AND DETAIL IS OUR PROPERTY AND MUST NOT BE USED EXCEPT IN CONNECTION WITH OUR WORK. ALL RIGHTS OF DESIGN AND INVENTION ARE RESERVED. THIS IS AN ELECTRONICALLY GENERATED DOCUMENT - DO NOT SCALE THIS PRINT.</p>												RFP		035947	B		035947				
												DIST	NLV								



TITLE: OUTLINE - 180T FRAME  
DRIP PROOF - RIGID

DRAWN UD 01/04/2013  
CHK JD 01/04/2013  
APPD  
SCALE 1=2  
REF OLM124449  
FMF 182TDDW160B4  
PREV