

PRODUCT INFORMATION PACKET



Model No: 194194.00
Catalog No: 194194.00
200 HP, Aggregate Duty Motors, 3 phase, 1200 RPM, 460 V, 447/449T Frame, TEFC
Aggregate Duty Motors



Regal and Leeson are trademarks of Regal Beloit Corporation or one of its affiliated companies.
©2021 Regal Beloit Corporation, All Rights Reserved. MC017097E





Nameplate Specifications

Output HP	200 Hp	Output KW	149.0 kW
Frequency	60/50 Hz	Voltage	460 V
Current	228.0 A	Speed	1190 rpm
Service Factor	1.15	Phase	3
Efficiency	95.8 %	Power Factor	86
Duty	Continuous	Insulation Class	F
Design Code	C	KVA Code	G
Frame	447/449T	Enclosure	Totally Enclosed Fan Cooled
Thermal Protection	No	Ambient Temperature	40 °C
Drive End Bearing Size	NU319	Opp Drive End Bearing Size	6317
UL	Recognized	CSA	Y
CE	Y	IP Code	55

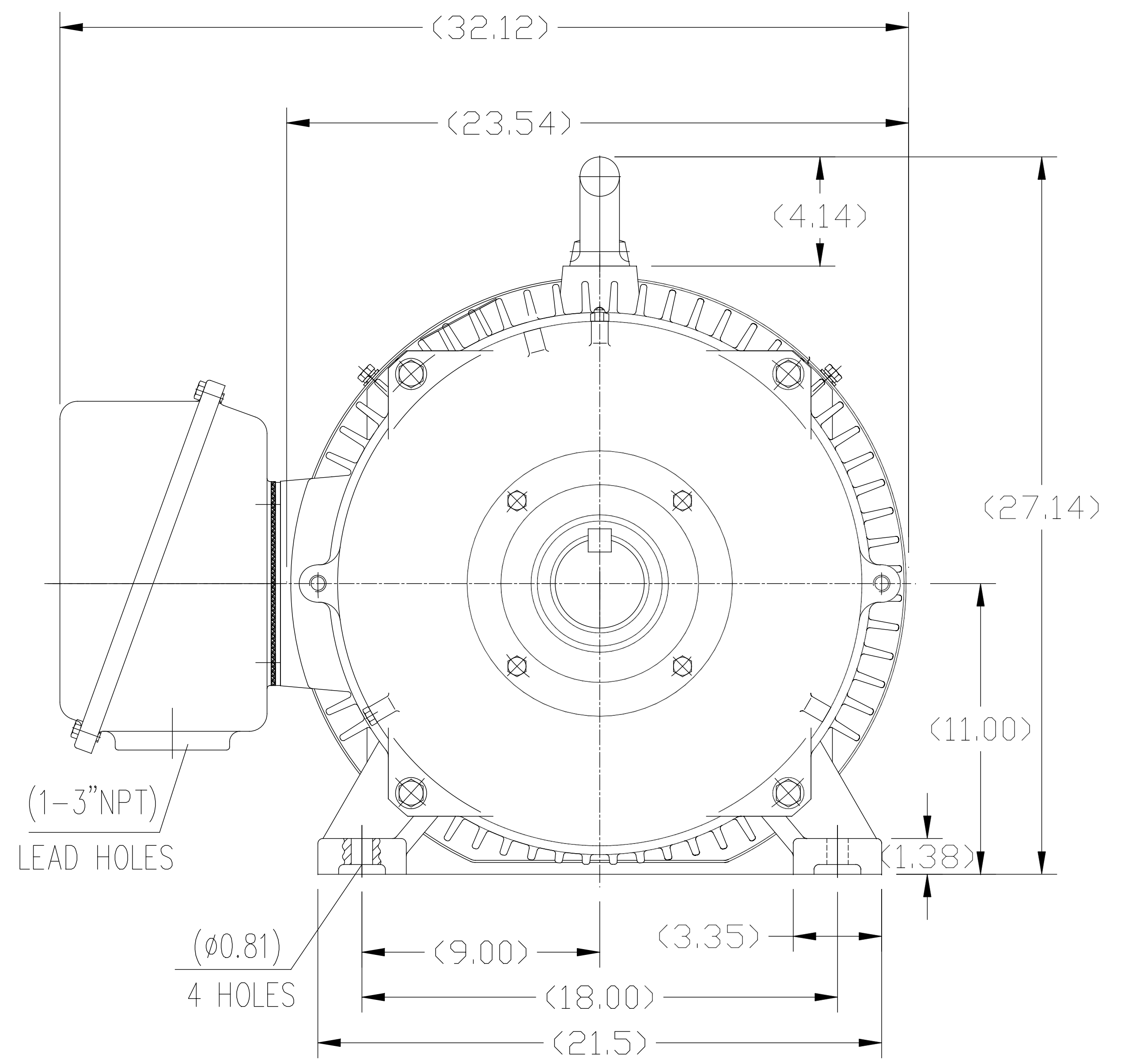
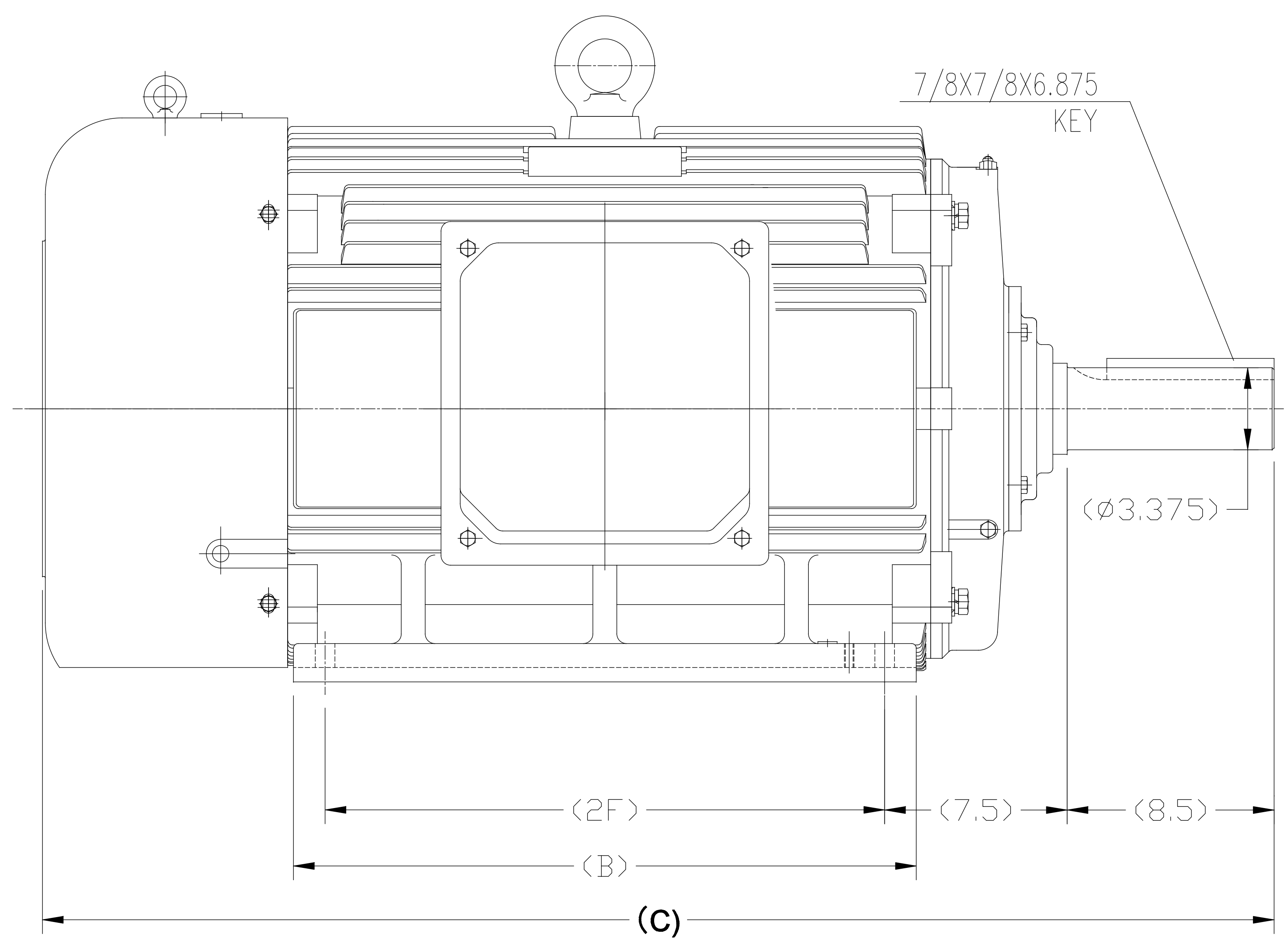
Technical Specifications

Electrical Type	Squirrel Cage Inverter Rated	Starting Method	Part Wdg Start & Wye Start Delta Run Or Inverter
Poles	6	Rotation	Reversible
Resistance Main	.017 Ohms	Mounting	Rigid Base
Motor Orientation	Horizontal	Drive End Bearing	Roller
Opp Drive End Bearing	Ball	Frame Material	Cast Iron
Shaft Type	T	Overall Length	55.91 in
Frame Length	31.88 in	Shaft Diameter	3.375 in
Shaft Extension	8.81 in	Assembly/Box Mounting	F1/F2 CAPABLE
Connection Drawing	EE7300CB-LE	Outline Drawing	SS620788-449T

This is an uncontrolled document once printed or downloaded and is subject to change without notice. Date Created:05/01/2021

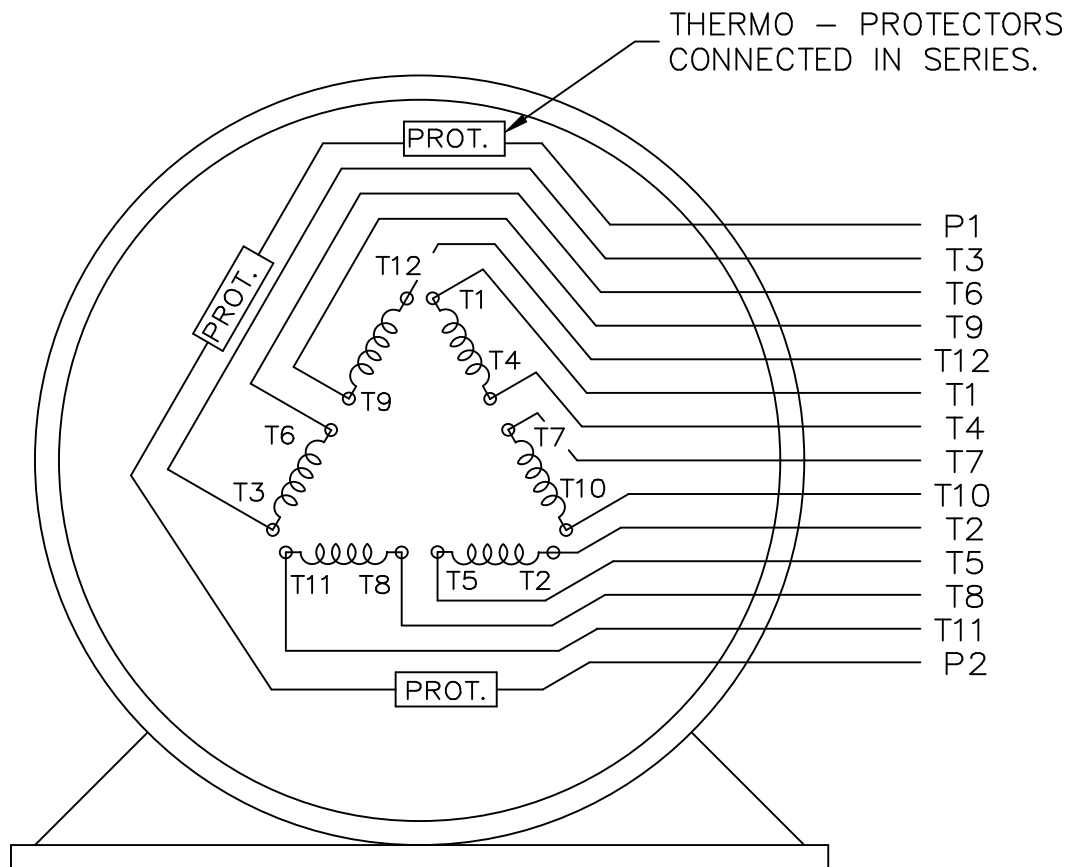
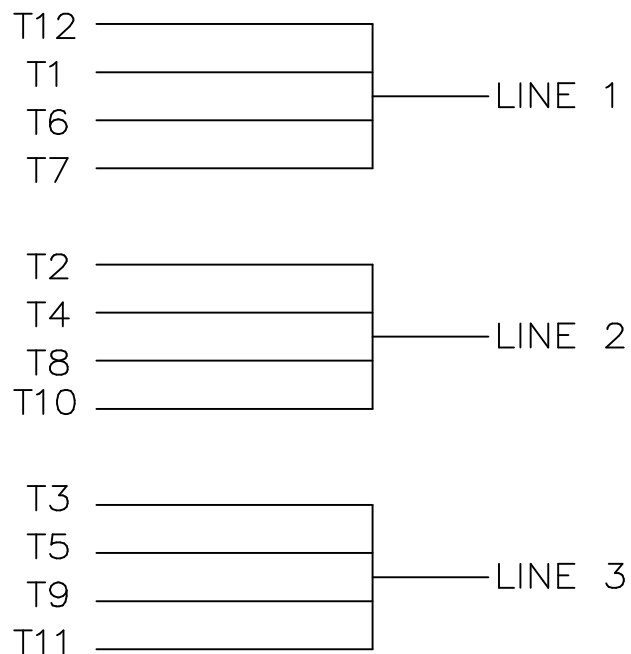
Dealers Industrial Equipment - Visit <https://DealersElectric.com> or call (908) 588-1566 for all of your electric motor & VFD needs!

SS620788




449T	55.91	30.70	25.00
Frame	C	B	2F

		TOLERANCES UNLESS SPECIFIED		REGAL-BELOIT CORPORATION		DRAWN ZYH 04-22-2012				
		DEC.	INCHES			CHK HZJ 04-22-2012				
		.X	±.1	TITLE OUTLINE-449T FR TEFC-CSAST IRON severe duty		APPD WGH 04-22-2012				
		.XX	±.03			SCALE				
		.XXX	±.005			REF				
A	RELEASED FOR PRODUCTION ECO-0118824	WGJ	2/24/17	EMH	.XXXX	±.0005	MAT'L.	FMF Wuxi		
NO.	REVISION	BY & DATE	CHK	ANG	±1/2	FINISH	PREV			
THIS DRAWING IN DESIGN AND DETAIL IS OUR PROPERTY AND MUST NOT BE USED EXCEPT IN CONNECTION WITH OUR WORK ALL RIGHTS OF DESIGN AND INVENTION ARE RESERVED THIS IS AN ELECTRONICALLY GENERATED DOCUMENT - DO NOT SCALE THIS PRINT				RFP	CAD FILE		SS620788	SIZE	DRAWING NO.	REV.
				DIST			B	SS620788	A	



VIEW OF TERMINAL END

				TOLERANCES UNLESS SPECIFIED		 ELECTRIC MOTORS GEARMOTORS AND DRIVES	DRAWN KL 02-27-2003			
				DEC.	INCHES		CHK GFH 03-03-2003			
				.X	± -		APPD JES 03-03-2003			
				.XX	± -		SCALE 1=1			
				.XXX	± -		REF			
1	NEW DRAWING	MU45634	KL 03-03-2003	.XXXX	± -	MAT'L.	FMF			
NO.	REVISION		BY & DATE	CHK	ANG	FINISH	PREV			
THIS DRAWING IN DESIGN AND DETAIL IS OUR PROPERTY AND MUST NOT BE USED EXCEPT IN CONNECTION WITH OUR WORK ALL RIGHTS OF DESIGN AND INVENTION ARE RESERVED THIS IS AN ELECTRONICALLY GENERATED DOCUMENT - DO NOT SCALE THIS PRINT				RFP	CAD FILE EE7300CB-LE		SIZE A	DRAWING NO. EE7300CB-LE	PAGE OF	REV. 1
				DIST WA-LE-SB						

Dealers Industrial Equipment -- Visit <https://DealersElectric.com> or call (908) 688-1966 for all of your electric motor & VFD needs!

ERROR: undefined
OFFENDING COMMAND: Pscript_WinNT_Co
STACK: