



BALDOR® • RELIANCE

Product Information Packet

CEM3157T

2HP, 1750RPM, 3PH, 60HZ, 145TC, 3526M, OPSB, F1

Part Detail							
Revision:	N	Status:	PRD/A	Change #:		Proprietary:	No
Type:	AC	Prod. Type:	3526M	Elec. Spec:	35WGM496	CD Diagram:	CD0005
Enclosure:	OPSB	Mfg Plant:		Mech. Spec:	35BB102	Layout:	35LYBB102
Frame:	145TC	Mounting:	F1	Poles:	04	Created Date:	10-20-2010
Base:	RG	Rotation:	R	Insulation:	F	Eff. Date:	02-22-2017
Leads:	9#18					Replaced By:	
Literature:		Elec. Diagram:					

Nameplate NP3553L

CAT.NO.	CEM3157T							
SPEC.	35BB102M496G1							
HP	2							
VOLTS	230/460							
AMP	5.8/2.9							
RPM	1750							
FRAME	145TC		HZ	60		PH	3	
SER.F.	1.15		CODE	K	DES	B	CL	F
NEMA-NOM-EFF	86.5		PF	76				
RATING	40C AMB-CONT							
CC	010A				USABLE AT 208V	5.8		
DE	6205		ODE	6203				
ENCL	OPSB		SN					

VPWM INVERTER READY
CT30-60(2:1) VT3-60(20:1)

Parts List		
Part Number	Description	Quantity
SA204974	SA 35BB102M496G1	1.000 EA
RA192222	RA 35BB102M496G1	1.000 EA
NS2512A01	INSULATOR, CONDUIT BOX X	1.000 EA
35CB3009	35 CB W/1.09 DIA. LEAD HOLE @ 6:	1.000 EA
51XB1016A07	10-16 X 7/16 HXWSSLD SERTYB	2.000 EA
11XW1032G06	10-32 X .38, TAPTITE II, HEX WSHR SLTD U	1.000 EA
35FE3201A01	FREP ASSEMBLY FOR ROUTING	1.000 EA
HW4500A01	1641B(ALEMITE)400 UNIV, GREASE FITT	1.000 EA
HW5100A03	WAVY WASHER (W1543-017)	1.000 EA
35EP3400A14	SPL FACE MTD END PLATE - OPEN-143-5TC-05	1.000 EA
HW4500A01	1641B(ALEMITE)400 UNIV, GREASE FITT	1.000 EA
51XN1032A20	10-32 X 1 1/4 HX WS SL SR	2.000 EA
35CB4521	35 LIPPED CB LID (GALV & PHOSPH)	1.000 EA
51XW0832A07	8-32 X .44, TAPTITE II, HEX WSHR SLTD SE	4.000 EA
HW2501D13	KEY, 3/16 SQ X 1.375	1.000 EA
HA7000A01	KEY RETAINER 7/8" DIA SHAFT	1.000 EA
85XU0407S04	4X1/4 U DRIVE PIN STAINLESS	2.000 EA
MJ1000A02	GREASE, POLYREX EM EXXON (USe 4824-15A)	0.050 LB
MG1000Y03	MUNSELL 2.53Y 6.70/ 4.60, GLOSS 20,	0.017 GA
35AD2005A01	BAFFLE PLATE,MOD 35-SLTD BAND MTRS GL.F.	2.000 EA
HA3100A15	THRUBOLT 10-32 X 8.375	4.000 EA
LC0005E01	CONN.DIA./WARNING LABEL (LC0005/LB1119N)	1.000 EA
NP3553L	ALUM SUPER-E VPWM INVERTER READY UL	1.000 EA
35PA1066	PKG GRP, PRINT PK1008A06	1.000 EA

Parts List (continued)		
Part Number	Description	Quantity
MN416A01	TAG-INSTAL-MAINT no wire (1000/bx) 11/14	1.000 EA

Dealers Industrial Equipment -- Visit <https://DealersElectric.com> or call (908) 688-1966 for all of your electric motor & VFD needs!

AC Induction Motor Performance Data

Record # 33882 - Typical performance - not guaranteed values

Winding: 35WGM496-R001	Type: 3526M	Enclosure: OPSB
-------------------------------	--------------------	------------------------

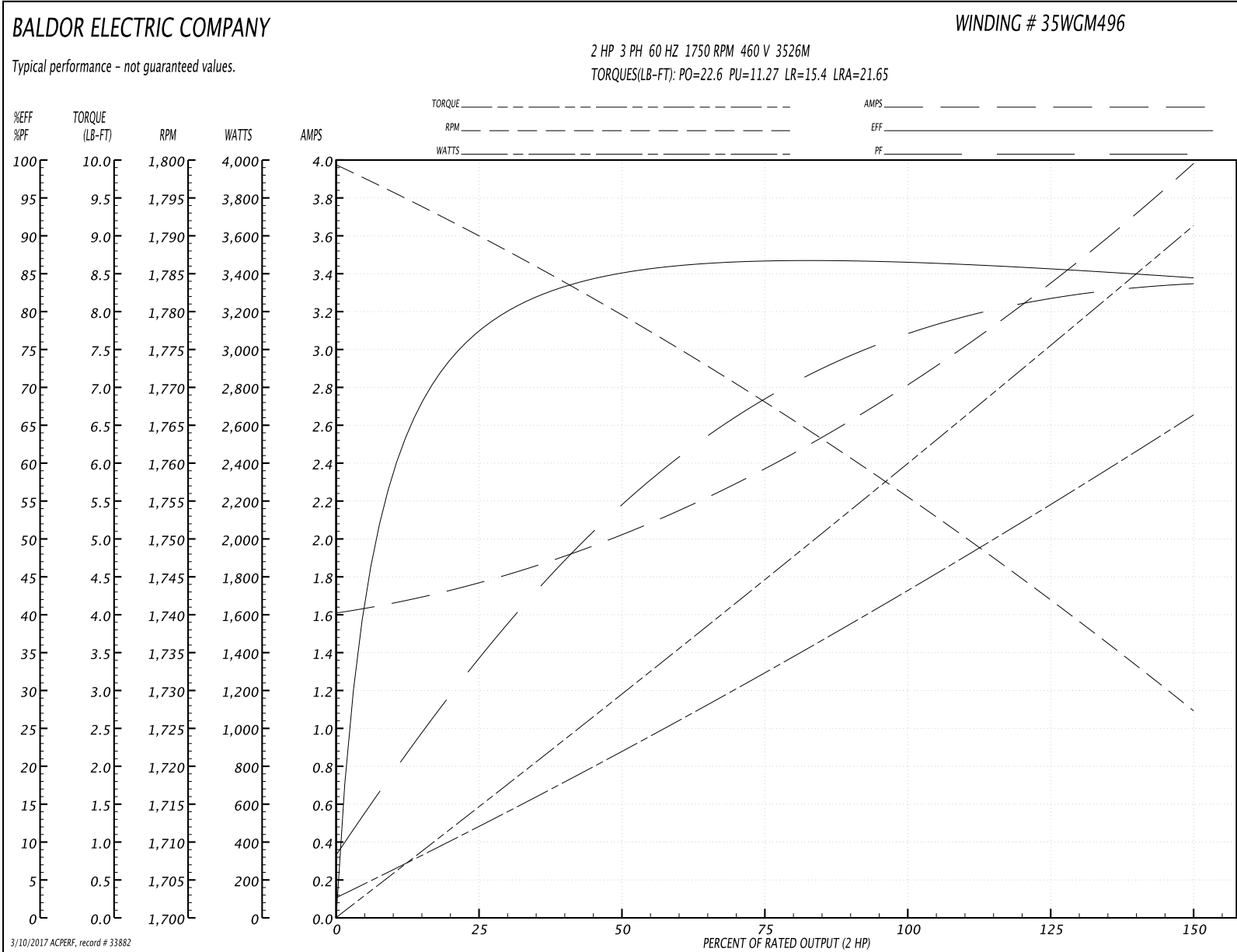
Nameplate Data				460 V, 60 Hz: High Voltage Connection	
Rated Output (HP)	2			Full Load Torque	6.02 LB-FT
Volts	230/460			Start Configuration	direct on line
Full Load Amps	5.8/2.9			Breakdown Torque	22.6 LB-FT
R.P.M.	1750			Pull-up Torque	11.27 LB-FT
Hz	60	Phase	3	Locked-rotor Torque	15.4 LB-FT
NEMA Design Code	B	KVA Code	K	Starting Current	21.65 A
Service Factor (S.F.)	1.15			No-load Current	1.63 A
NEMA Nom. Eff.	86.5	Power Factor	76	Line-line Res. @ 25°C	8.22 Ω
Rating - Duty	40C AMB-CONT			Temp. Rise @ Rated Load	38°C
S.F. Amps				Temp. Rise @ S.F. Load	46°C
				Locked-rotor Power Factor	52.4
				Rotor inertia	0.154 LB-FT ²

Load Characteristics 460 V, 60 Hz, 2 HP

% of Rated Load	25	50	75	100	125	150	S.F.
Power Factor	35	56	69	76	81	84	76
Efficiency	77	84.7	86.8	86.6	85.8	84.3	86.6
Speed	1789	1779	1768	1756	1742	1727	1749
Line amperes	1.75	2.01	2.37	2.85	3.37	3.96	3.25

Dealers Industrial Equipment -- Visit <https://DealersElectric.com> or call (908) 688-1966 for all of your electric motor & VFD needs!

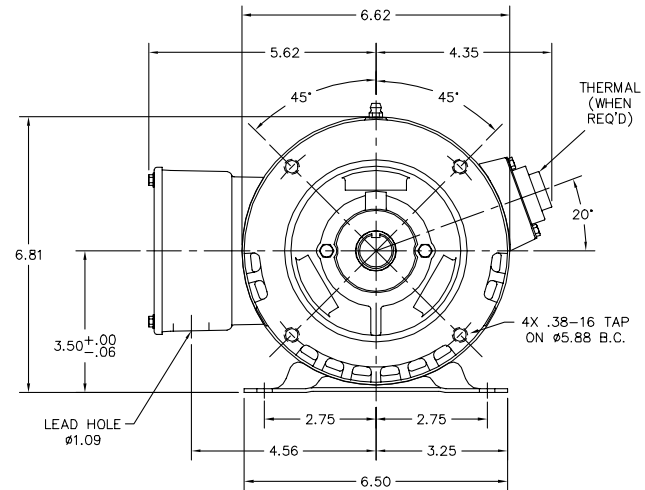
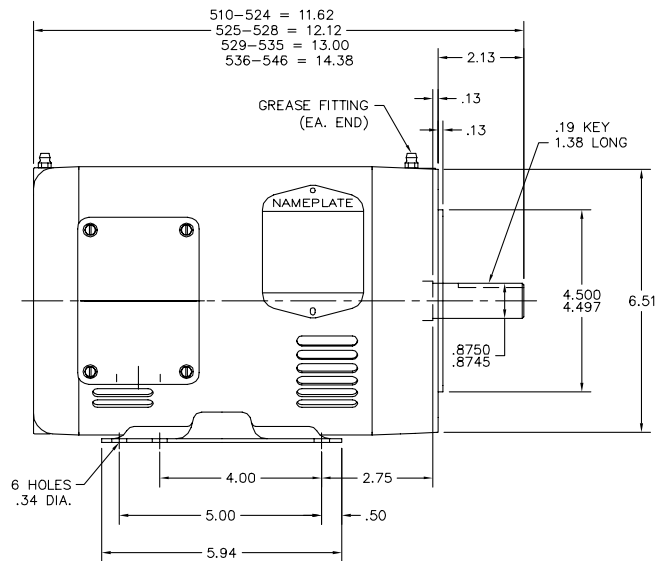
Performance Graph at 460V, 60Hz, 2.0HP Typical performance - Not guaranteed values



Dealers Industrial Equipment -- Visit <https://DealersElectric.com> or call (908) 688-1966 for all of your electric motor & VFD needs!

Dealers Industrial Equipment -- Visit <https://DealersElectric.com> or call (908) 688-1966 for all of your electric motor & VFD needs!

35L YBB102



35L YBB102

CUSTOMER IS RESPONSIBLE FOR DETERMINING THAT BALDOR'S PRODUCT WILL PERFORM SUITABLY IN THE INTENDED APPLICATION.

REV. DESC: NEW	VERSION: 00	TDR: 000000551422
REV. LTR: -	REVISED: 01:39:21 08/03/2010	BY: ENTYLLO
FILE: \AAA\00173\933		
MTL: -		

BALDOR

HOR 143-5TC OPSB M W/ 1.09 DIA LEAD HOLE

SH 1 of 1

Dealers Industrial Equipment -- Visit <https://DealersElectric.com> or call (908) 688-1966 for all of your electric motor & VFD needs!

