

**BALDOR® • RELIANCE** 

**Product Information Packet**

**06F690X065G1**

**5HP,3500RPM,3PH,60HZ,184TC,0634M,TEFC,F1**

Part Detail							
Revision:	E	Status:	PRD/A	Change #:		Proprietary:	No
Type:	AC	Elec. Spec:	06WG065	CD Diagram:	CD0006	Mfg Plant:	
Mech. Spec:	06F690	Layout:	06LYF690	Poles:	02	Created Date:	06-13-2011
Base:	N	Eff. Date:	04-04-2017	Leads:	3#16		

Specs			
Enclosure:	TEFC	Inverter Code:	Inverter Ready
Frame:	184TC	KVA Code:	L
Frame Material:	Iron	Lifting Lugs:	Vertical Lifting Lugs
Output @ Frequency:	5.000 HP @ 60 HZ	Locked Bearing Indicator:	Locked Bearing
Synchronous Speed @ Frequency:	3600 RPM @ 60 HZ	Motor Lead Quantity/Wire Size:	3 @ 16 AWG
Voltage @ Frequency:	460.0 V @ 60 HZ	Motor Lead Exit:	Ko Box
XP Class and Group:	None	Motor Lead Termination:	Flying Leads
XP Division:	Not Applicable	Motor Type:	0634M
Agency Approvals:	UR	Mounting Arrangement:	F1
	CSA	Power Factor:	90
	CSA EEV	Product Family:	Super-E Chemical Processing
Auxillary Box:	No Auxillary Box	Pulley End Bearing Type:	Ball
Auxillary Box Lead Termination:	None	Pulley Face Code:	C-Face
Base Indicator:	No Mounting	Pulley Shaft Indicator:	Standard
Bearing Grease Type:	Polyrex EM (-20F +300F)	Rodent Screen:	None
Blower:	None	Shaft Extension Location:	Pulley End
Current @ Voltage:	5.700 A @ 460.0 V	Shaft Ground Indicator:	No Shaft Grounding
Design Code:	A	Shaft Rotation:	Reversible

Dealers Industrial Equipment -- Visit <https://DealersElectric.com> or call (908) 688-1966 for all of your electric motor & VFD needs!

<b>Drip Cover:</b>	Drip Cover	<b>Shaft Slinger Indicator:</b>	Shaft Slinger
<b>Duty Rating:</b>	CONT	<b>Speed Code:</b>	Single Speed
<b>Electrically Isolated Bearing:</b>	Not Electrically Isolated	<b>Motor Standards:</b>	NEMA
<b>Feedback Device:</b>	NO FEEDBACK	<b>Starting Method:</b>	Direct on line
<b>Front Face Code:</b>	Standard	<b>Thermal Device - Bearing:</b>	None
<b>Front Shaft Indicator:</b>	None	<b>Thermal Device - Winding:</b>	None
<b>Heater Indicator:</b>	No Heater	<b>Vibration Sensor Indicator:</b>	No Vibration Sensor
<b>Insulation Class:</b>	F	<b>Winding Thermal 1:</b>	None
		<b>Winding Thermal 2:</b>	None

Nameplate NP1260E											
CAT.NO.											
SPEC.	06F690X065G1										
HP	5										
VOLTS	460										
AMP	5.7										
RPM	3500										
FRAME	184TC					HZ	60			PH	3
SER.F.	1.15				CODE	L		DES	A	CL	F
NEMA-NOM-EFF	89.5				PF	90					
RATING	40C AMB-CONT										
CC	010A							USABLE AT 208V			
DE	6206				ODE	6205					
ENCL	TEFC				SN						

Parts List		
Part Number	Description	Quantity
SA225064	SA 06F690X065G1	1.000 EA
RA212162	RA 06F690X065G1	1.000 EA
36FN3000C01SP	EXFN, PLASTIC, 5.25 OD, .912 ID	1.000 EA
HW3201A05	3/8-16 EYEBOLT	1.000 EA
06CB1000A02G	CONDUIT BOX, MACH GRAY	1.000 EA
RM1016	LEAD SEPARATOR GASKET - 305/306 C.P.MOTO	1.000 EA
51XF2520A16	SCREW,HEX SER SLT HD,ZN 1/4-20X1.00LG TD	2.000 EA
11XW1032G06	10-32 X .38, TAPTITE II, HEX WSHR SLTD U	1.000 EA
HW3001B01	BRASS CUP WASHER, FOR #10 SCREW	1.000 EA
10XN2520S06	1/4 20X3/8 HX HD CAP S.S.	2.000 EA
WD1000B16	T&B CX70TN TERMINAL	2.000 EA
36EP1101A65G	FR EP GREASER, .25-20 FAN CVR.HOLES,TEFC.	1.000 EA
HW4500A19	1/4-28X1/4 SLOTTED PLUG F/S	1.000 EA
HW4500A17	317400 ALEMITE GREASE RELIEF	1.000 EA
HA4054	SHORT T-DRAIN FITTING, .125" N.P.T.	1.000 EA
HW5100A05	WVY WSHR F/205 & 304 BRGS	1.000 EA
36EP1300A48G	SPL PU 206 BRG. 182-4TC W/GREASER & RELI	1.000 EA
HW4500A19	1/4-28X1/4 SLOTTED PLUG F/S	1.000 EA
HW4500A17	317400 ALEMITE GREASE RELIEF	1.000 EA
HA4054	SHORT T-DRAIN FITTING, .125" N.P.T.	1.000 EA
10XN2520A26	1/4-20X 1 5/8 HEX HD	4.000 EA
HA3101A34	THRUBOLT- 1/4-20 X 10.375	4.000 EA
51XB1214A16	12-14X1.00 HXWSSLD SERTYB	1.000 EA
10XN2520S24	1/4-20X 1 1/2 HEX HD SS	3.000 EA

Dealers Industrial Equipment -- Visit <https://DealersElectric.com> or call (908) 688-1966 for all of your electric motor & VFD needs!

Parts List (continued)		
Part Number	Description	Quantity
06FH1004A03G	FAN HOUSING MACH, W/GREASER AND DRIP CVR	1.000 EA
WD4100A02	DP-1000 HEYCO PLUG OR 62MP1000 MICRO PL	1.000 EA
39FH4500A03G	DRIP COVER, STAMPED (GRAY EPOXY)	1.000 EA
HA3400S09	STUD-3/8-16 X 2.75	4.000 EA
XY3816S12	3/8-16 HEX FINISHED NUT SS	2.000 EA
HW3208S01	3/8-16 EYE NUT	2.000 EA
HW1001S38	WASHER, 3/8 SPLT LK, STAINLESS STEEL	4.000 EA
06CB1502G	LIPPED CONDUIT BOX LID CAST, GRAY EPOXY	1.000 EA
06GS1003	GASKET, KOBX LID, 1/8" THICK BLACK NEOPR	1.000 EA
10XN2520A12	1/4-20 X 3/4 HEX HEAD CAP	2.000 EA
HW1001A25	LOCKWASHER 1/4, ZINC PLT .493 OD, .255 I	2.000 EA
HA1005A03SP	SLINGER, OD 1.750, ID .938, 205 BRG	1.000 EA
HW4600B36SP	V-RING SLINGER 1.188 X 1.690 X .24 VITON	1.000 EA
HW2501E16	KEY, 1/4 SQ X 1.750	1.000 EA
HA7000A02	KEY RETAINER RING, 1 1/8 DIA, 1 3/8 DIA	1.000 EA
MJ5001A27	32220KN GRAY SEALER *MIN BUY 4 QTS=1GAL	0.001 QT
85XU0407S04	4X1/4 U DRIVE PIN STAINLESS	2.000 EA
LB1115N	LABEL,LIFTING DEVICE (ON ROLLS)	1.000 EA
MJ1000A02	GREASE, MOBIL POLYREX EM - 124047	0.050 LB
MG1025G29	WILKOFASST, 789.229, DARK CHARCOAL GRAY	0.028 GA
LB1119N	WARNING LABEL	1.000 EA
NP1260E	SS CP SUPER-E UL CSA CC	1.000 EA
G0PA1000	PKG GRP, PRINT PK1026A06	1.000 EA
PK3082	STYROFOAM CRADLE	1.000 EA

Product Information Packet: 06F690X065G1 - 5HP,3500RPM,3PH,60HZ,184TC,0634M,TEFC,F1

PK6503	STRUCTURAL WOOD PSC 1X6X8	1.000 EA
MN416A01	TAG-INSTAL-MAINT no wire (1200/bx) 3/19	1.000 EA
LB1417	LABEL CARTON 6X4 PERFORATED BLANK ROLLS	1.000 EA

**AC Induction Motor Performance Data**

Record # 34224 - Typical performance - not guaranteed values

<b>Winding:</b> 06WGX065-R001	<b>Type:</b> 0634M	<b>Enclosure:</b> TEFC
-------------------------------	--------------------	------------------------

Nameplate Data				460 V, 60 Hz: Single Voltage Motor	
Rated Output (HP)	5			Full Load Torque	7.45 LB-FT
Volts	460			Start Configuration	direct on line
Full Load Amps	5.7			Breakdown Torque	38.6 LB-FT
R.P.M.	3500			Pull-up Torque	17.4 LB-FT
Hz	60	Phase	3	Locked-rotor Torque	28.3 LB-FT
NEMA Design Code	A	KVA Code	L	Starting Current	63.9 A
Service Factor (S.F.)	1.15			No-load Current	1.65 A
NEMA Nom. Eff.	89.5	Power Factor	90	Line-line Res. @ 25°C	2.4282 Ω
Rating - Duty	40C AMB-CONT			Temp. Rise @ Rated Load	49°C
S.F. Amps				Temp. Rise @ S.F. Load	59°C
				Locked-rotor Power Factor	46
				Rotor inertia	0.153 LB-FT <sup>2</sup>

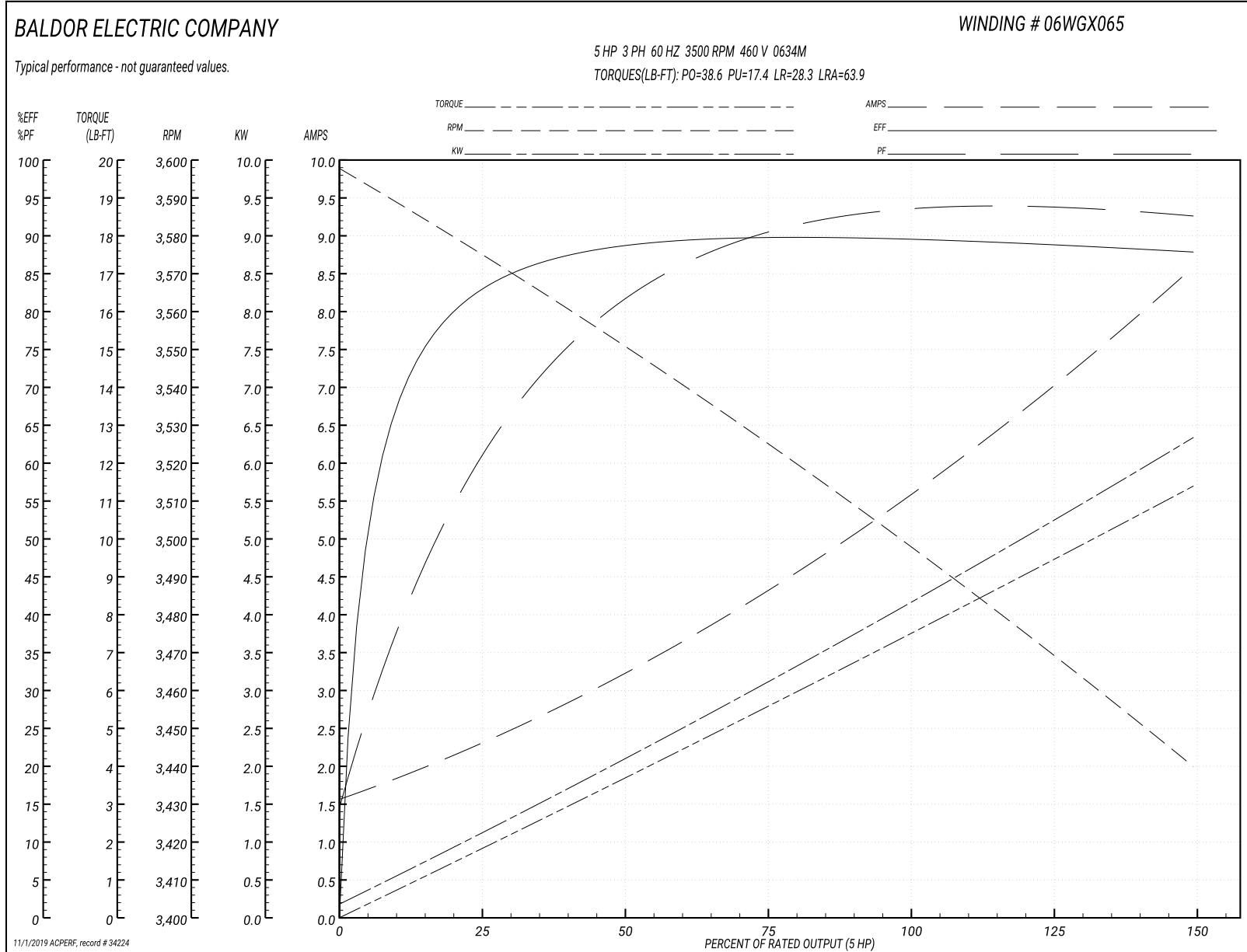
Load Characteristics 460 V, 60 Hz, 5 HP

% of Rated Load	25	50	75	100	125	150	S.F.
Power Factor	63	83	89	93	93	93	93
Efficiency	82.5	88.6	89.8	89.7	88.9	87.7	89.2
Speed	3575.6	3551.3	3526.2	3498.2	3470.4	3439.8	3482
Line amperes	2.17	3.14	4.35	5.59	7.02	8.54	6.45

Dealers Industrial Equipment -- Visit <https://DealersElectric.com> or call (908) 688-1966 for all of your electric motor & VFD needs!

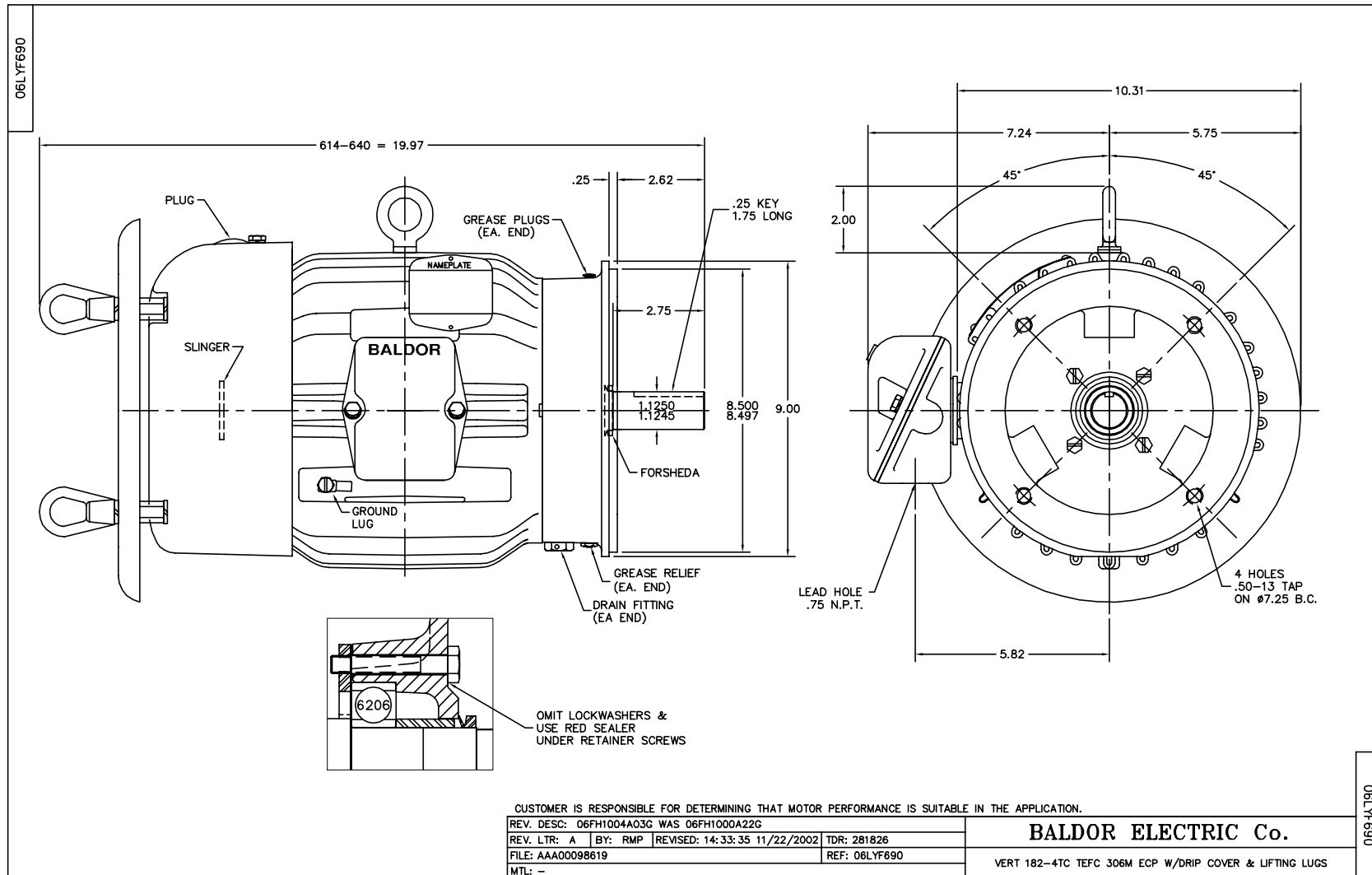


Performance Graph at 460V, 60Hz, 5.0HP Typical performance - Not guaranteed values



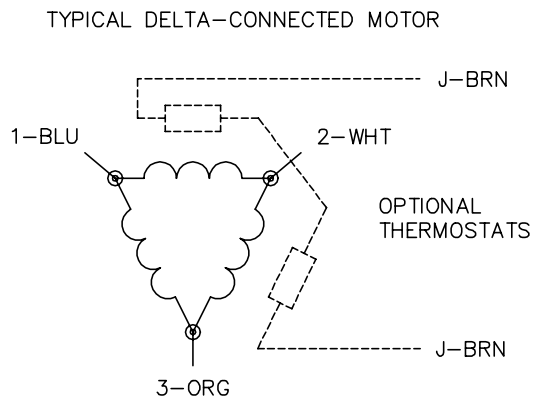
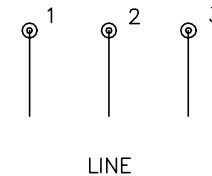
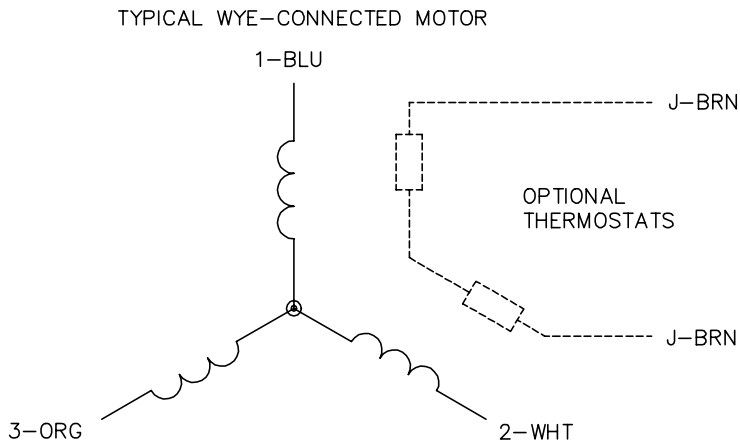
Dealers Industrial Equipment -- Visit <https://DealersElectric.com> or call (908) 688-1966 for all of your electric motor & VFD needs!

Dealers Industrial Equipment -- Visit <https://DealersElectric.com> or call (908) 688-1966 for all of your electric motor & VFD needs!



Dealers Industrial Equipment -- Visit <https://DealersElectric.com> or call (908) 688-1966 for all of your electric motor & VFD needs!

CD0006



NOTES:

1. THREE LEAD MOTOR MAY BE EITHER WYE CONNECTED OR DELTA CONNECTED.
2. INTERCHANGE ANY TWO LINE LEADS TO REVERSE ROTATION.
3. OPTIONAL THERMOSTATS ARE PROVIDED WHEN SPECIFIED.
4. ACTUAL NUMBER OF INTERNAL PARALLEL CIRCUITS MAY VARY.
5. LEAD COLORS ARE OPTIONAL. LEADS MUST BE NUMBERED AS SHOWN.

CD0006

REV. DESC: ADD CLASS CONN00000007		
REV. LTR: E	VERSION: 01	TDR: 000001099922
FILE: \AAA\00005\141	REVISED: 10:24:49 02/19/2019	BY: ENBRIRO
MTL: -	© □	

**BALDOR - RELIANCE®**

3PH, SV, 3 LEADS, WYE OR DELTA CONNECTED

SH 1 of 1