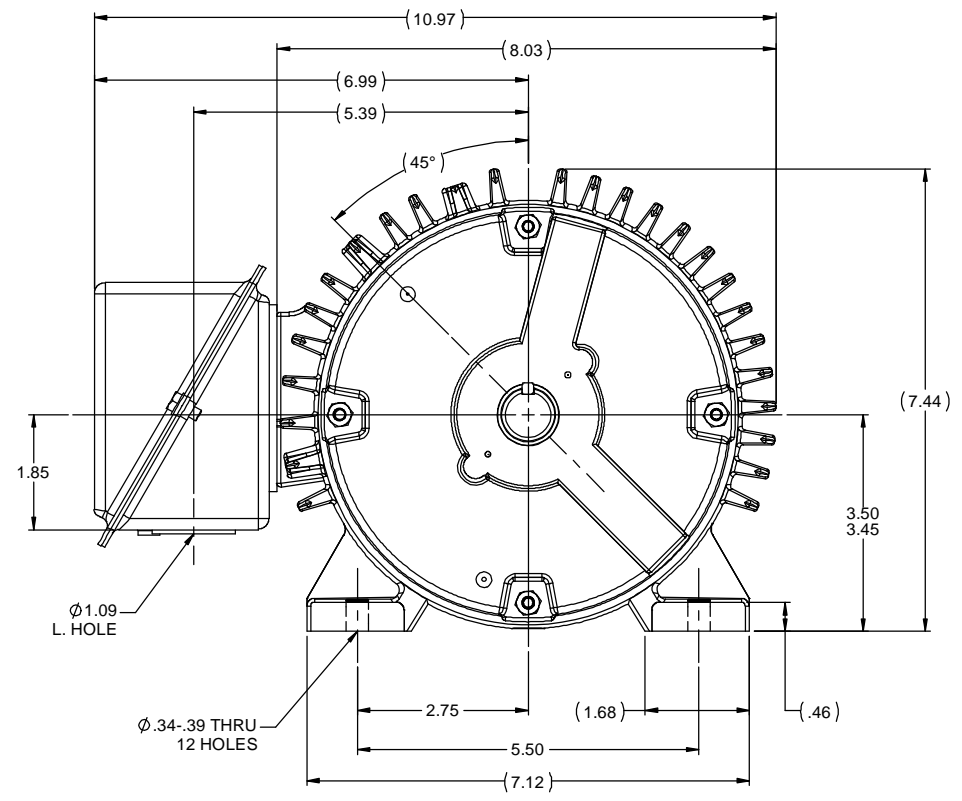



.19x.19x1.38
KEY



- NOTES:
 1. BOX CAN BE RORATED IN 90 ° STEPS
 2. BOX CAN BE MOUNTED ON OPPOSITE SIDE BY REMOVING BRACKETS AND TURNING FRAME 180 °
 3. NAMEPLATE READ FROM CONDUIT BOX SIDE OF MOTOR
 4. FRONT GREASE HOLE LOCATIONS SHOWN WITH HIDDEN LINES

		TOLERANCES UNLESS SPECIFIED		 REGAL-BELOIT CORPORATION		DRAWN SVL 06/29/2010	
		DEC	INCHES			CHK NB 06/29/2010	
		X	±.1	TITLE OUTLING		APPR SVL 06/29/2010	
		XX	±.03	140 FR. - BB - TS - TENV		SCALE 1:2	
		XXX	±.005	MATL		REF 100655	
1		UPDATED PER. ISAAC 11-4672	RFH 01/25/2012	RH	XXXX	±.0005	FMF MU6177
NO	REVISION		BY & DATE	CHK	ANG	±1/2°	PAGE OF
		THIRD ANGLE PROJECTION		RFP		PREV	SIZE DRAWING NO
				NETWORK FILE NAME		107584	B 107584
							REV
							1

DASH	FR.	C	B	BS	2F	2FF	2FFF
750	143/5T	12.68	7.25	5.06	4.00	5.00	6.25