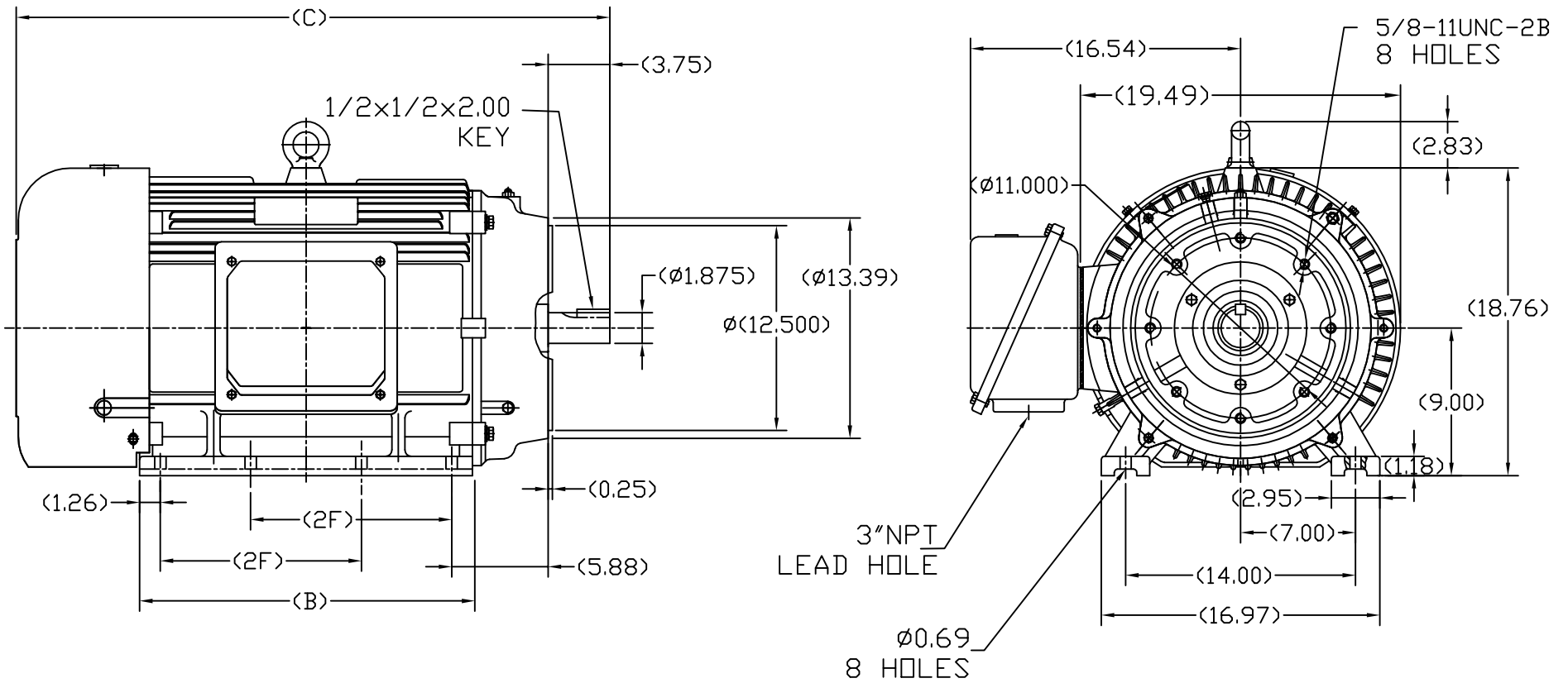


SS620303



364TSC	34.48	18.50	11.25
365TSC	36.26	20.28	12.25
FRAME	C	B	2F

TOLERANCES UNLESS SPECIFIED		REGAL-BELOIT CORPORATION		DRAWN SY 4-21-2010				
DEC.	INCHES	CHK	HZJ 4-21-2010	APPD	CL 4-21-2010			
.X	±.1	TITLE	OUTLINE		SCALE	1=8		
.XX	±.03	364/365TSC FR-TEFC-CAST IRON		REF				
.XXX	±.005	MAT'L.		FMF	HWADA			
.XXXX	±.0005	FINISH		PREV				
NO.	REVISION	BY & DATE	CHK	ANG	±1/2	FINISH		
			RFP	CAD FILE	SS620303	SIZE	DRAWING NO.	REV.
			DIST			B	SS620303	

THIS DRAWING IN DESIGN AND DETAIL IS OUR PROPERTY AND MUST NOT BE USED EXCEPT IN CONNECTION WITH OUR WORK ALL RIGHTS OF DESIGN AND INVENTION ARE RESERVED THIS IS AN ELECTRONICALLY GENERATED DOCUMENT - DO NOT SCALE THIS PRINT