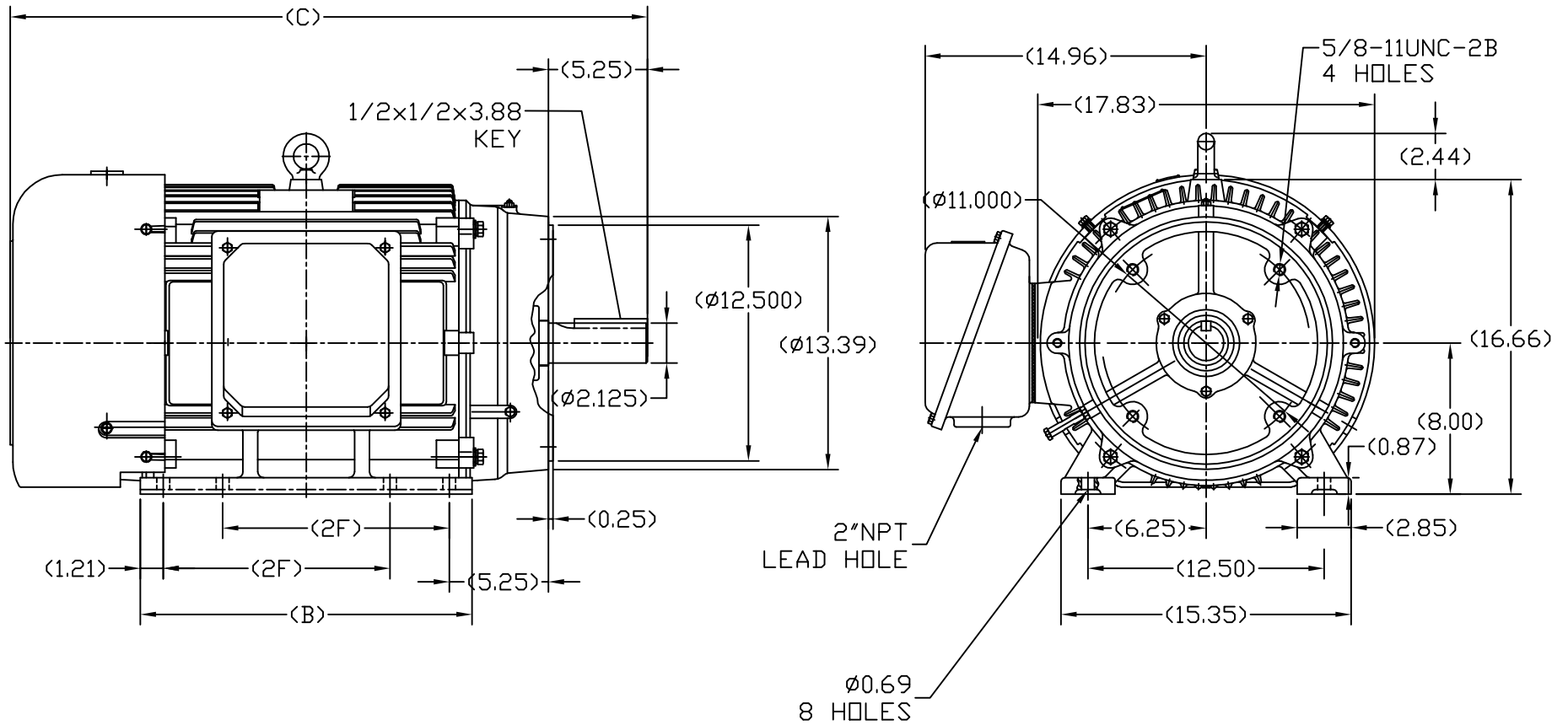


SS620300



342TC	32.68	16.38	10.50
326TC	33.86	17.56	12.00
FRAME	C	B	2F

TOLERANCES UNLESS SPECIFIED		REGAL-BELOIT CORPORATION		DRAWN
DEC.	INCHES	REGAL-BELOIT CORPORATION	TITLE	SY 4-21-2010
X	±.1		OUTLINE	CHK HZJ 4-21-2010
.XX	±.03		324/326TC FR-TEFC-CAST IRON	APPD CL 4-21-2010
.XXX	±.005			SCALE 1=7
.XXXX	±.0005			REF
				FMF HVADA
				PREV
NO.	REVISION	BY & DATE	CHK ANG ±1/2	FINISH
			RFP	CAD FILE SS620300
			DIST	SIZE B DRAWING NO. SS620300
THIS DRAWING IN DESIGN AND DETAIL IS OUR PROPERTY AND MUST NOT BE USED EXCEPT IN CONNECTION WITH OUR WORK. ALL RIGHTS OF DESIGN AND INVENTION ARE RESERVED. THIS IS AN ELECTRONICALLY GENERATED DOCUMENT - DO NOT SCALE THIS PRINT				REV.