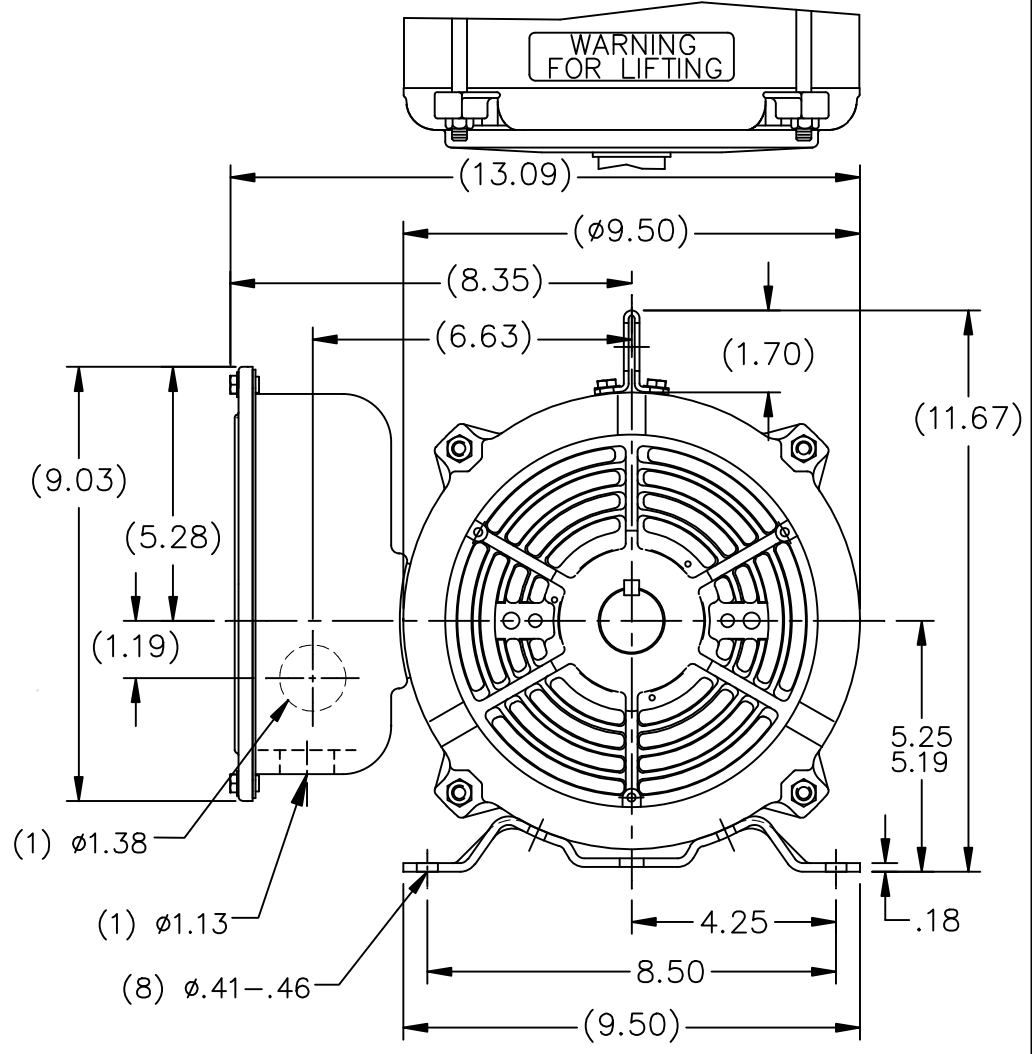
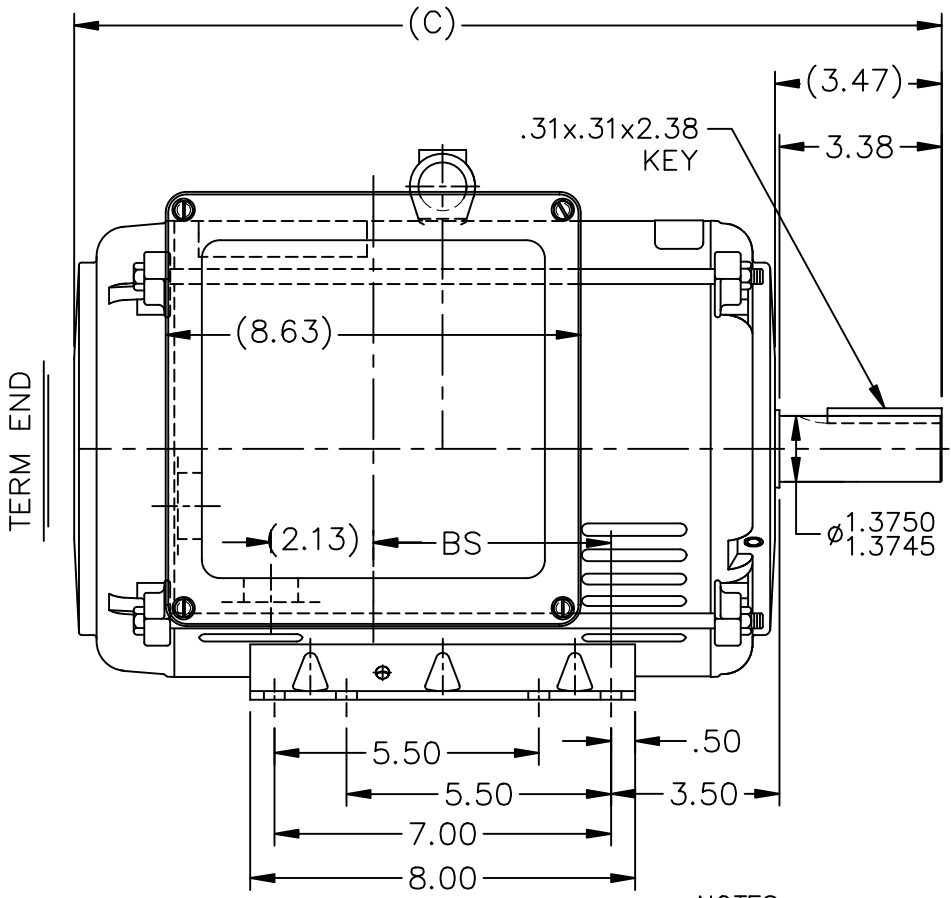


DASH	FR.	C	BS
965	213T	16.54	3.44
1115	213/15T	18.04	4.94
1240	215T	19.29	6.19

SS88686



- NOTES:
 1. NAMEPLATE TO BE READ FROM C'BOX SIDE OF MOTOR.
 2. DASH 965 TO BE READ FROM OPPOSITE SHAFT END.

				TOLERANCES UNLESS SPECIFIED		 MARATHON ELECTRIC	DRAWN RWR 01-22-2008
				DEC.	INCHES		CHK MSG 01-24-2008
				.X	±.1		APPD EMH 01-25-2008
				.XX	±.03		SCALE 1=4
				.XXX	±.005		REF B-SS88686LE
				.XXXX	±.0005	FMF ISAAC#07-1847	
NO.	REVISION	BY & DATE	CHK	ANG	±7'30"	FINISH	PREV
THIS DRAWING IN DESIGN AND DETAIL IS OUR PROPERTY AND MUST NOT BE USED EXCEPT IN CONNECTION WITH OUR WORK ALL RIGHTS OF DESIGN AND INVENTION ARE RESERVED THIS IS AN ELECTRONICALLY GENERATED DOCUMENT - DO NOT SCALE THIS PRINT				RFP	01-25-2008	CAD FILE SS88686	SIZE A
				DIST	LB		DRAWING NO. SS88686
							PAGE OF
							REV.