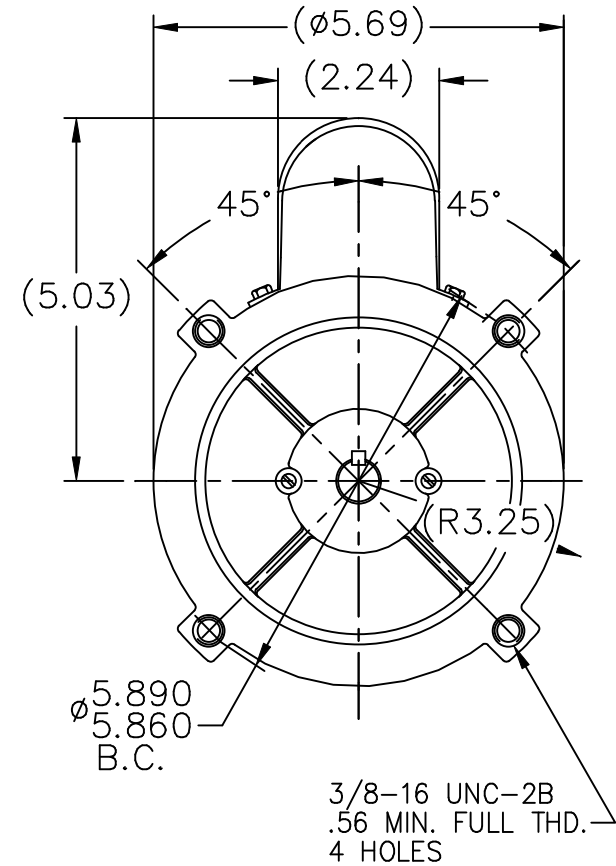
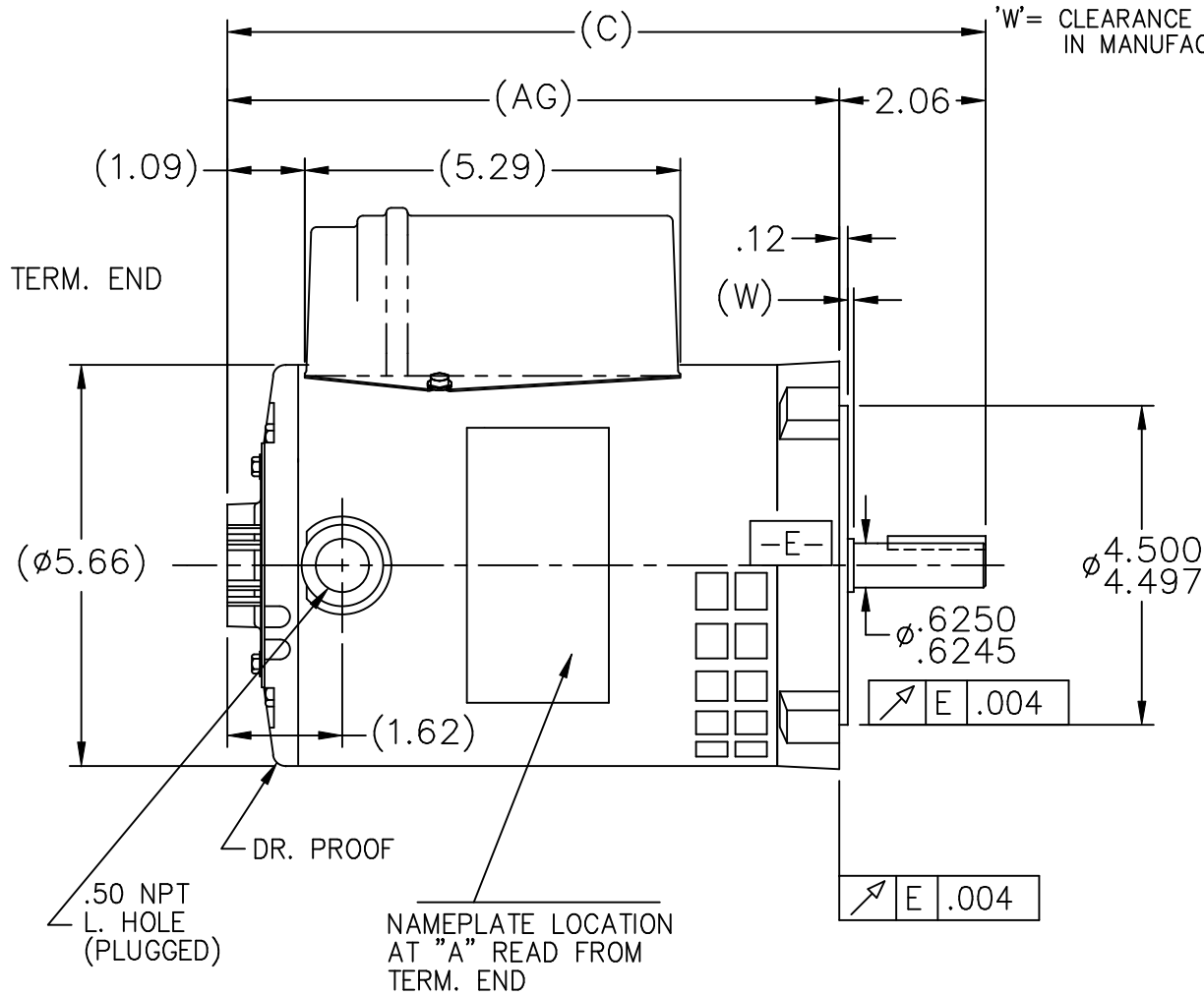


'W' = CLEARANCE ALLOWED FOR ALL VARIANCES IN MANUFACTURING & ASSEMBLY



DASH	FR	C	AG	DASH	FR	C	AG
675		10.69	8.62	800		11.94	9.88
700		10.94	8.88				
725		11.19	9.12				

		TOLERANCES UNLESS SPECIFIED				DRAWN RM 11/8/1990
		DEC.	INCHES	TITLE OUTLINE		CHK ML 11/8/1990
		.X	±.1			APPD GK 11/8/1990
		.XX	±.03			SCALE 3=8
4	UPDATED DRAWING	TJW	05/11/2007			REF
3	REDRAWN	RM	11/8/1990	MAT'L.		FMF
NO.	REVISION	BY & DATE	CHK	ANG	FINISH	PREV
			RFP	CAD FILE SS78918		SIZE DRAWING NO. PAGE 1 OF 1 REV.
			DIST	WP	A	SS78918 4

THIS DRAWING IN DESIGN AND DETAIL IS OUR PROPERTY AND MUST NOT BE USED EXCEPT IN CONNECTION WITH OUR WORK ALL RIGHTS OF DESIGN AND INVENTION ARE RESERVED THIS IS AN ELECTRONICALLY GENERATED DOCUMENT - DO NOT SCALE THIS PRINT