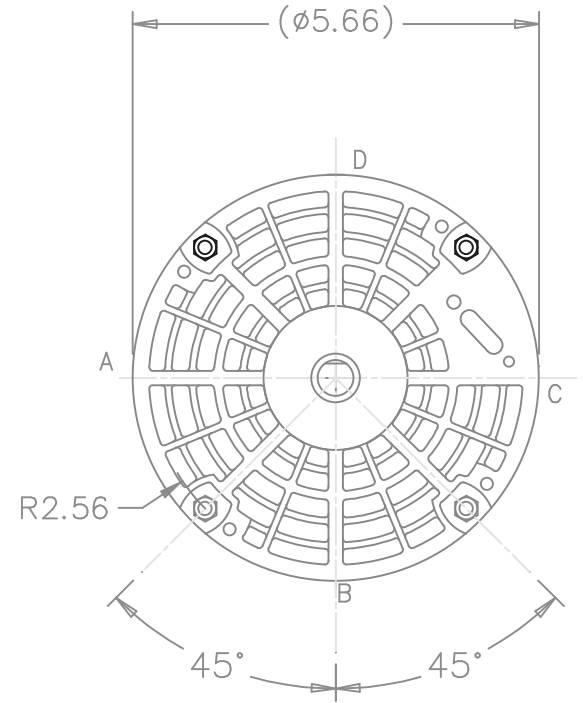
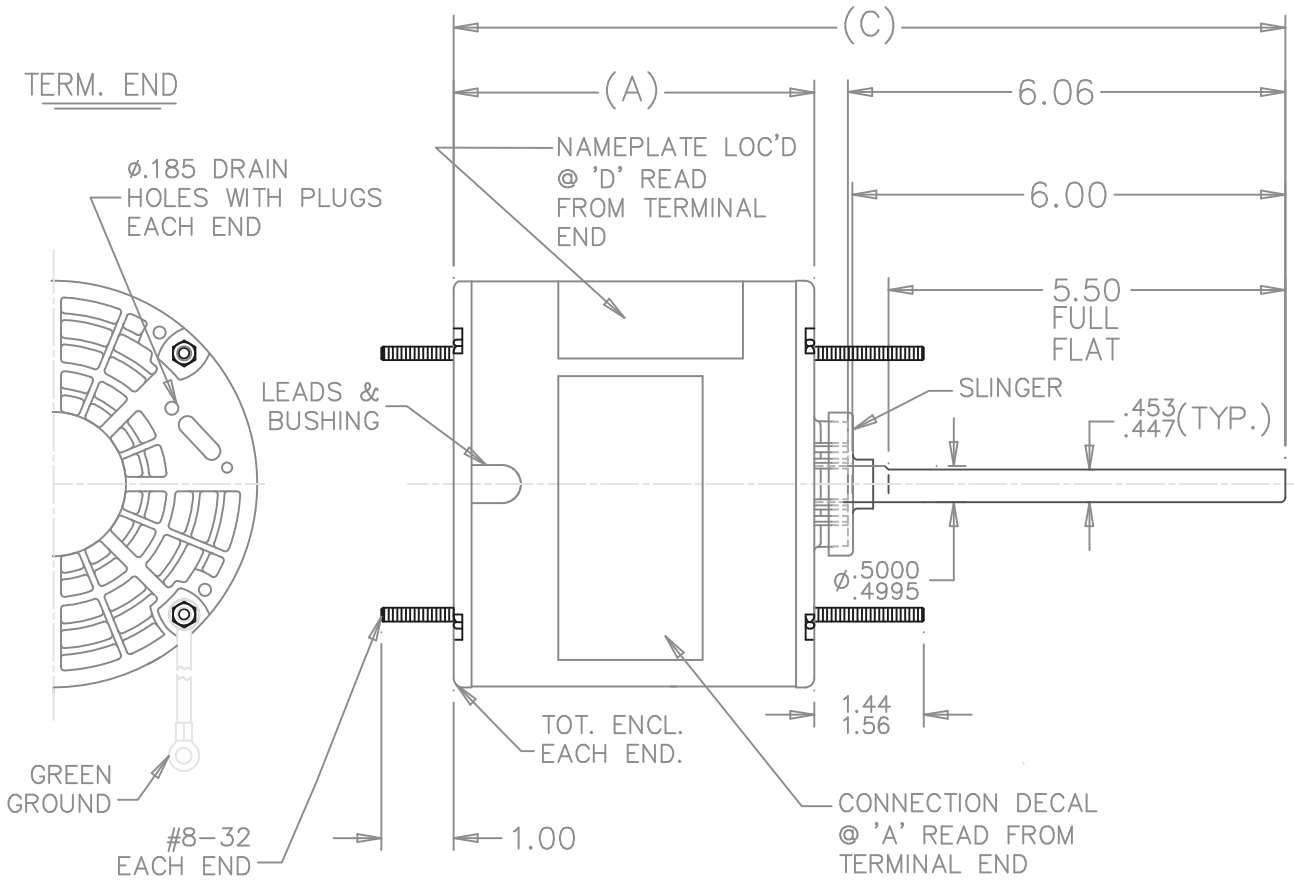


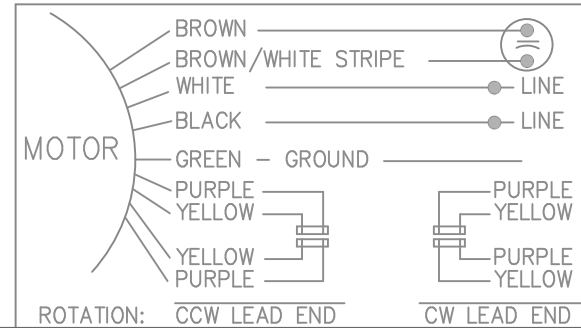
TERM. END



LEAD DESCRIPTION:

- 1 BLACK, AND 1 WHITE LEAD WITH .50 BARE WIRE STRIP 30.00" LONG.
- 2 BROWN CAPACITOR LEADS WITH .25 FLAG-TYPE QUICK CONNECTS 30.00" LONG BROWN WITH WHITE MARK IS COMMON TO WHITE LEAD.
- REVERSING LEADS ARE MOLDED INTO MATING PULL APART PLUGS 1 PURPLE, AND 1 YELLOW PER PLUG 5.00" LONG.
- GREEN GROUND LEAD WITH TERM. FOR #10 SCREW 12.00" LONG.

DASH	FR	C	A
325	48Y	10.25	3.75
375	48Y	10.75	4.25
425	48Y	11.25	4.75
475	48Y	11.75	5.25



NO.	REVISION	BY & DATE	CHK	ANG	TOLERANCES UNLESS SPECIFIED		MARATHON ELECTRIC	DRAWN BLR 09-18-1995			
					DEC.	INCHES			CHK	DA 09-28-1995	
5	REMOVED OIL PLUGS	CN 29400-951	BJK	07-18-2002	DRS		TITLE OUTLINE	APPD GK 09-28-1995			
4	CHANGED STUD BOLTS TO A STUD WITH BUILT IN NUT	CN 21292	BRH	10-16-1995		.X ±.1		SCALE 3=8			
3	REDRAWN ON CADD AND REVISED LEAD LENGTHS	BLR 09-28-1995				.XXX ±.005		REF			
		CN 21148				.XXXX ±.0005		FMF			
						±7'30"	FINISH	PREV			
THIS DRAWING IN DESIGN AND DETAIL IS OUR PROPERTY AND MUST NOT BE USED EXCEPT IN CONNECTION WITH OUR WORK ALL RIGHTS OF DESIGN AND INVENTION ARE RESERVED THIS IS AN ELECTRONICALLY GENERATED DOCUMENT - DO NOT SCALE THIS PRINT				RFP	CAD FILE SS75045			SIZE A	DRAWING NO. SS75045	PAGE OF	REV. 5
				DIST	WP						