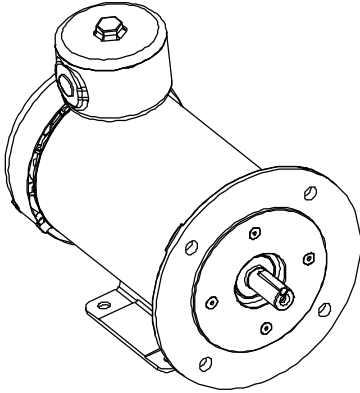


DASH NO	"C"	"AD"
625	10.01	3.52
650	10.26	3.77
675	10.51	4.02
700	10.76	4.27
725	11.01	4.52
750	11.26	4.77
775	11.51	5.02
800	11.76	5.27
825	12.01	5.52
850	12.26	5.77



NO		REVISION	BY & DATE	CHK	LANG	±1/2°	FINISH			DRAWN	PVR 10/08/13
								TITLE OUTLINE - 48 FR STAINLESS STEEL IEC-80 B5 FRAME		CHK	JD 10/08/13
								MAT'L		APPR	
								NETWORK FILE NAME 032026ME		SCALE	1:2
								RFP		REF	032026
								PREV		FMF	080T17W5327
								SIZE B		PAGE	OF
								DRAWING NO 032026ME		REV	