

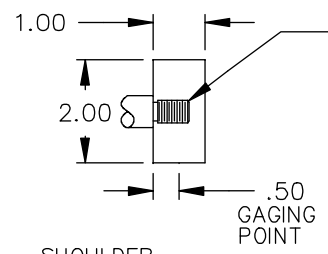
LINE LEADS 4"-6" LONG WITH 1/4 STRAIGHT Q.C. (WHEN SPECIFIED)

FACE RUNOUT (WITH INDICATOR MOUNTED STATIONARY RELATIVE TO SHAFT) MUST NOT EXCEED .004 T.I.R.

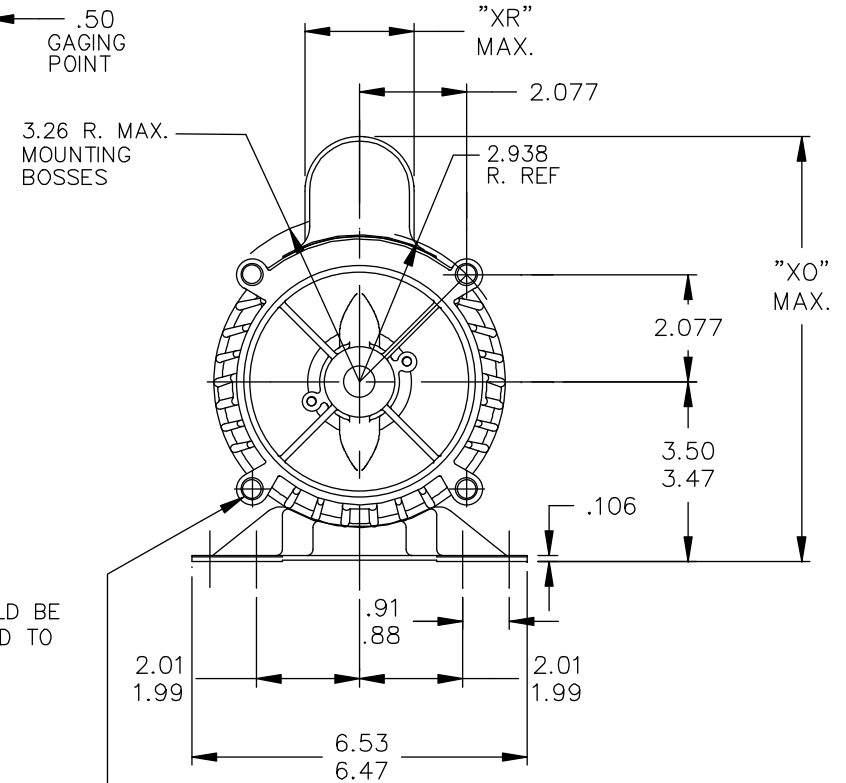
ECCENTRICITY OF THIS SURFACE (WITH INDICATOR MOUNTED STATIONARY RELATIVE TO SHAFT) MUST NOT EXCEED .004 T.I.R.

.375-16 UNC-2B (4 HOLES) .82 MIN. FULL THD. THESE HOLES FIT A GAGE HAVING A RABBET 4.5005 DIA. & 4 PINS .2917 DIA. LOCATED ON THE BASIC HOLE POSITIONS.

MATING PARTS SHOULD BE RELIEVED ONE THREAD TO CLEAR FILLET
WATER SLINGER (WHEN SPEC.)

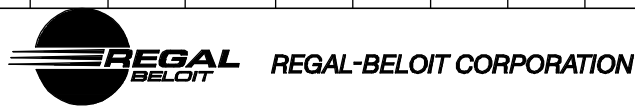


ECCENTRICITY OF THREADED PORTION OF SHAFT IS HELD WITHIN .004 GAGE READING WITH THE INDICATOR ON O.D. OF GROUND RING GAGE AS SHOWN, THE GAGE BEING STATIONARY WITH RESPECT TO THE ROTOR.



2	KCR	39	56J	14.86	12.23	8.17	2.50	8.43	2.10	7.75
1	KCR	39	56J	13.98	11.35	7.29	1.63	8.43	2.10	6.87
P	TYPE	GE SIZE	NEMA FR	C	AG	XH	XS	XO	XR	SHELL REF.

TOLERANCES UNLESS SPECIFIED	
DEC.	INCHES
.X	±.1



DRAWN	MAM 11/08/93
CHK	
APPD	MAM 11/08/93
SCALE	3=8
REF	
FMF	
PREV	

3	JET/POOL IS REPLACED BY JET PUMP PER ECO-0033464	PVR 05/16/13	DS	.XX	±.03
2	CHG TO RBC FORMAT PER ISO5-1777	SUD 03/13/06		.XXX	±.005
1	REV. DIM. "XO" WAS 4.74	MAM 11/24/93		.XXXX	±.0005
NO.	REVISION	BY & DATE	CHK	ANG	±1/2'

TITLE	OUTLINE 2 COMPARTMENT UPGRADE 56J - JET PUMP - WELD BASE
MAT'L.	
FINISH	
CAD FILE	52A109358

THIS DRAWING IN DESIGN AND DETAIL IS OUR PROPERTY AND MUST NOT BE USED EXCEPT IN CONNECTION WITH OUR WORK ALL RIGHTS OF DESIGN AND INVENTION ARE RESERVED THIS IS AN ELECTRONICALLY GENERATED DOCUMENT - DO NOT SCALE THIS PRINT

RFP		SIZE	DRAWING NO.	REV.
DIST		A	52A109358	3