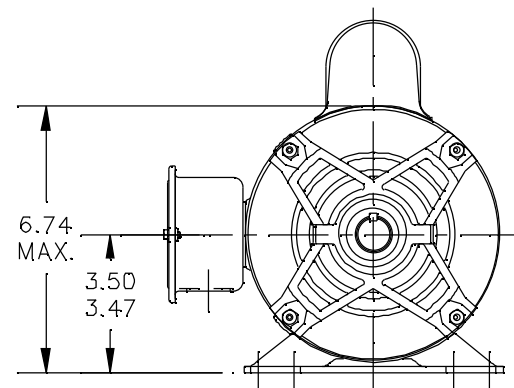
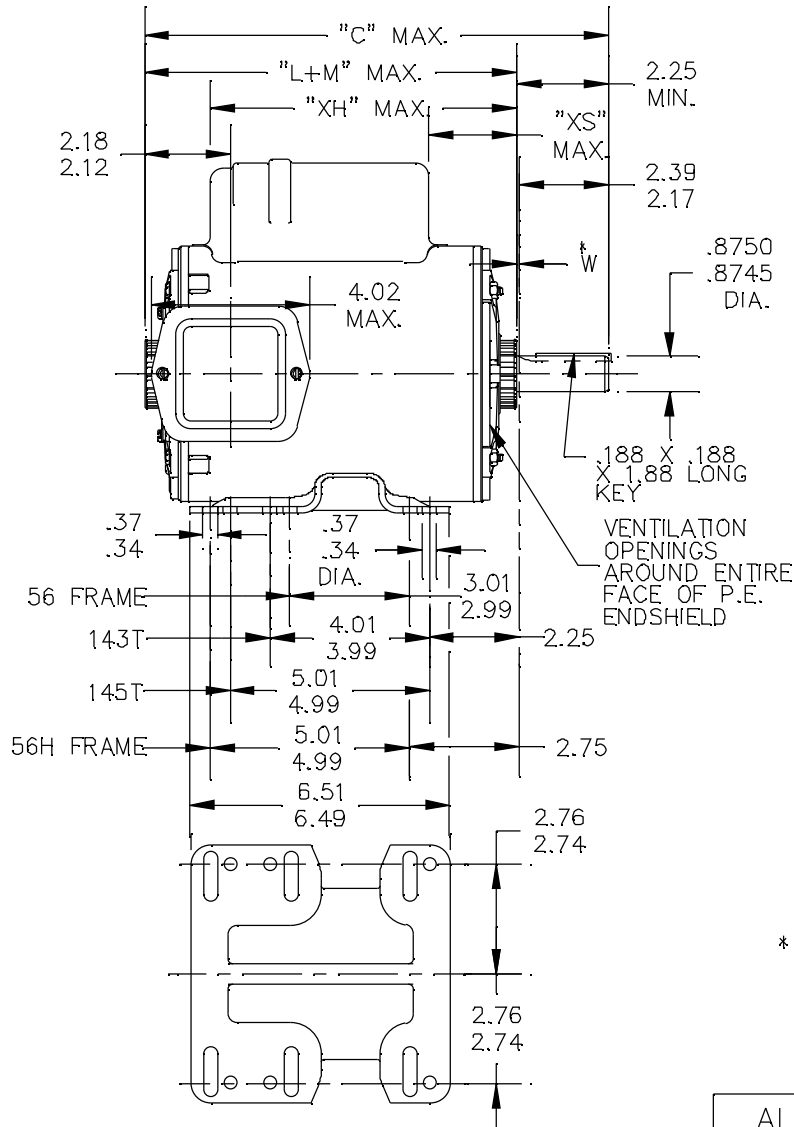
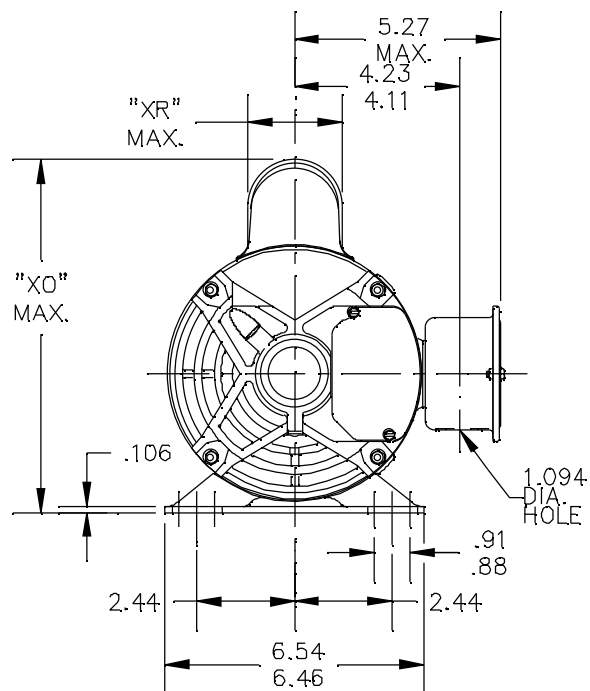


52A107727



\*"W" IS VARIABLE CLEARANCE DUE TO VARIATION IN PARTS & ASSEMBLY.

ALL DIMENSIONS ARE IN INCHES

1	KC	49	143T 145T	11.75	9.48	7.81	8.94	2.40	2.06		7.15
P	TYPE	RBC SIZE	NEMA FR.	"C"	"L+M"	"XH"	"XO"	"XR"	"XS"		MIN. SHELL

TOLERANCES UNLESS SPECIFIED  
DEC. INCHES  
.X ±0.1



REGAL-BELOIT CORPORATION

5	REDRAWN IN DRAFT SIGHT	UD	10/16/12	PKG	.XX	±0.02	TITLE	OUTLINE	DRAWN	M.D.P	09/05/91
4	CHG TO RBC FORMAT PER ISO5-1777	SD	03/01/06		.XXX	±0.005		WELDED BASE FMF - 40 FRAME REDESIGN (5KC49NN0038)	CHK		
3	UPDATED DIMS. PER STANDARDS.	M.D.P	06/22/92		.XXXX	±0.0005	MAT'L.		APPD	M.D.P	09/05/91
NO.	REVISION	BY & DATE	CHK	ANG	±1.0	FINISH			SCALE	1=1	
				RFP	CAD FILE	52A107727	SIZE	DRAWING NO.	PREV		
				DIST			A	52A107727			REV. 5

THIS DRAWING IN DESIGN AND DETAIL IS OUR PROPERTY AND MUST NOT BE USED EXCEPT IN CONNECTION WITH OUR WORK ALL RIGHTS OF DESIGN AND INVENTION ARE RESERVED THIS IS AN ELECTRONICALLY GENERATED DOCUMENT - DO NOT SCALE THIS PRINT