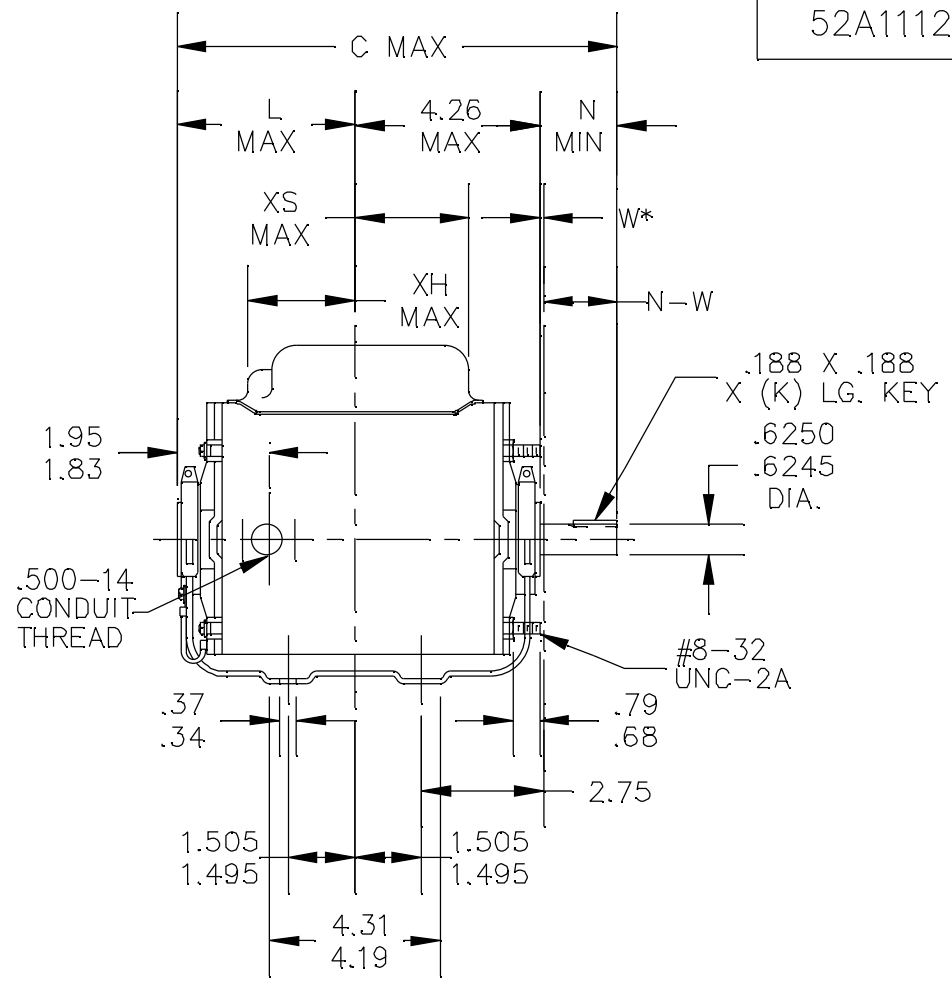


VIEW SHOWING PE VENTILATION OPENINGS



\*W IS A CLEARANCE DUE TO VARIATION IN PARTS & ASSEMBLY.

1	KC	37	56	10.72	1.38	4.63	1.88	2.01/1.79	3.07	7.85	1.60	2.70	6.62
PT	TYPE	RBC SIZE	NEMA FR	C	K	L	N	N-W	XH	XO	XR	XS	MIN. SHELL

				TOLERANCES UNLESS SPECIFIED		<b>REGAL-BELOIT CORPORATION</b>		DRAWN R.K.R 04/15/05		
				DEC.	INCHES			CHK		
				.X	±0.1	TITLE OUTLINE DRIP PROOF-SOLID OR RESIL BASE		APPD R.K.R 04/15/05		
3	CHANGED ECS PER IS12-5091		PVR 10/22/12	DS	.XX			±0.02	SCALE 1=1	
2	REDRAWN IN DRAFT SIGHT - NO CHANGES		PVR 10/22/12	PKG	.XXX			±0.005	REF	
1	CHG TO RBC FORMAT PER IS05-1777		MAD 04/28/06		.XXXX	±0.0005	FINISH			
NO.	REVISION		BY & DATE	CHK	ANG	±1.0	PREV			
THIS DRAWING IN DESIGN AND DETAIL IS OUR PROPERTY AND MUST NOT BE USED EXCEPT IN CONNECTION WITH OUR WORK ALL RIGHTS OF DESIGN AND INVENTION ARE RESERVED THIS IS AN ELECTRONICALLY GENERATED DOCUMENT - DO NOT SCALE THIS PRINT				RFP	CAD FILE		52A111292	SIZE	DRAWING NO.	REV.
				DIST			A	52A111292	3	