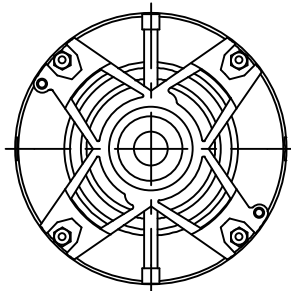
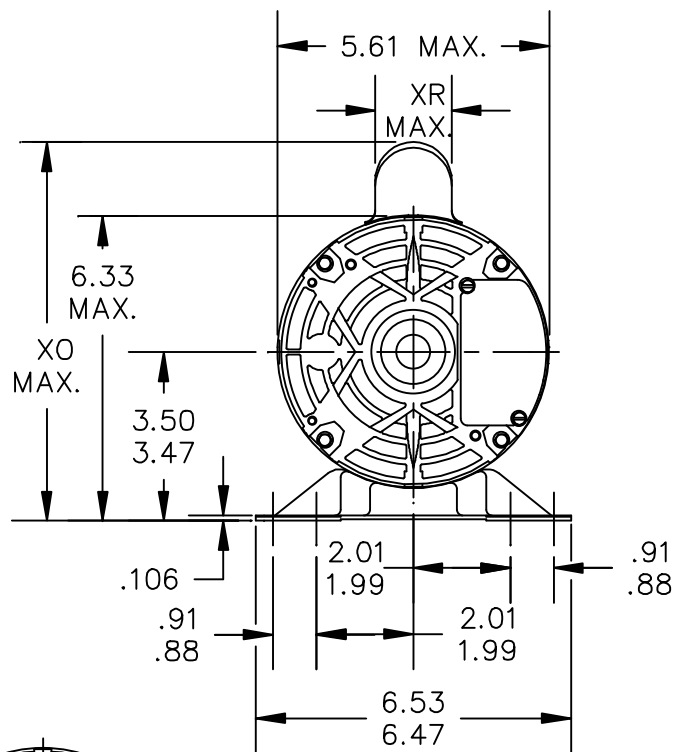
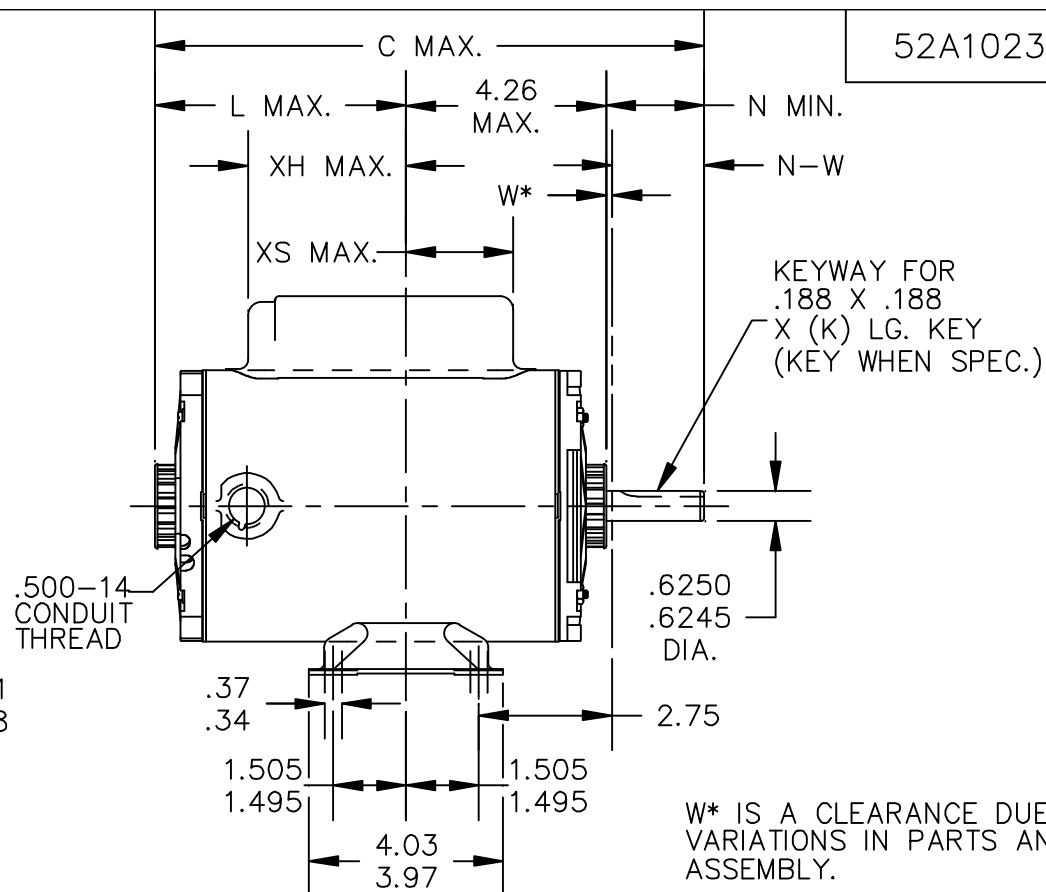


52A102375



VIEW SHOWING P.E. VENTILATION OPENINGS



10	KC	38	56	11.32	1.38	5.23	1.88	2.01/1.79	3.57	2.03	8.22	2.10
9	KC	38	56	11.32	1.38	5.23	1.88	2.01/1.79	3.65	2.12	8.43	2.22
8	KC	35	56	9.89	1.38	3.80	1.88	2.01/1.79	2.22	2.34	7.81	1.60
7	KC	39	56	11.85	1.38	5.76	1.88	2.01/1.79	4.03	1.34	8.43	2.22
6	KC	39	56	11.85	1.38	5.76	1.88	2.01/1.79	4.03	1.34	8.93	2.72
5	KC	37	56	10.72	1.38	4.63	1.88	2.01/1.79	2.99	2.60	7.81	1.60
4	KC	35	56	9.89	1.38	3.80	1.88	2.01/1.79	2.15	2.31	8.43	2.22
3	KC	36	56	10.32	1.38	4.23	1.88	2.01/1.79	2.65	2.72	7.81	1.60
2	KC	39	56	11.85	1.38	5.76	1.88	2.01/1.79	4.18	1.59	7.81	1.60
1	KC	38	56	11.32	1.38	5.23	1.88	2.01/1.79	3.65	2.12	7.81	1.60
P	TYPE	RBC SIZE	NEMA FR	C	K	L	N	N-W	XH	XS	XO	XR

				TOLERANCES UNLESS SPECIFIED		REGAL-BELOIT CORPORATION		DRAWN M.R.B 08/05/77		
				DEC.	INCHES	REGAL-BELOIT CORPORATION		CHK		
15	REDRAWN IN DRAFTSIGHT -NO CHANGES	UD	09/08/12	.X	±0.1	TITLE OUTLINE DRIP PROOF - WELDED BASE		APPD B.L.J 04/16/93		
14	ADDED PART #10	MD	05/14/08	.XX	±0.02			SCALE 1=1		
13	CHG TO RBC FORMAT PER ISO5-1777	PKG	12/30/05	.XXX	±0.005			REF		
12	REDRAWN WITHOUT CHANGE	BLJ	04/16/93	.XXXX	±0.0005	MAT'L.		FMF		
NO.	REVISION	BY & DATE	CHK	ANG	±1.0	FINISH		PREV		
THIS DRAWING IN DESIGN AND DETAIL IS OUR PROPERTY AND MUST NOT BE USED EXCEPT IN CONNECTION WITH OUR WORK ALL RIGHTS OF DESIGN AND INVENTION ARE RESERVED THIS IS AN ELECTRONICALLY GENERATED DOCUMENT - DO NOT SCALE THIS PRINT				RFP		CAD FILE	52A102375	SIZE	DRAWING NO.	REV.
				DIST				A	52A102375	15