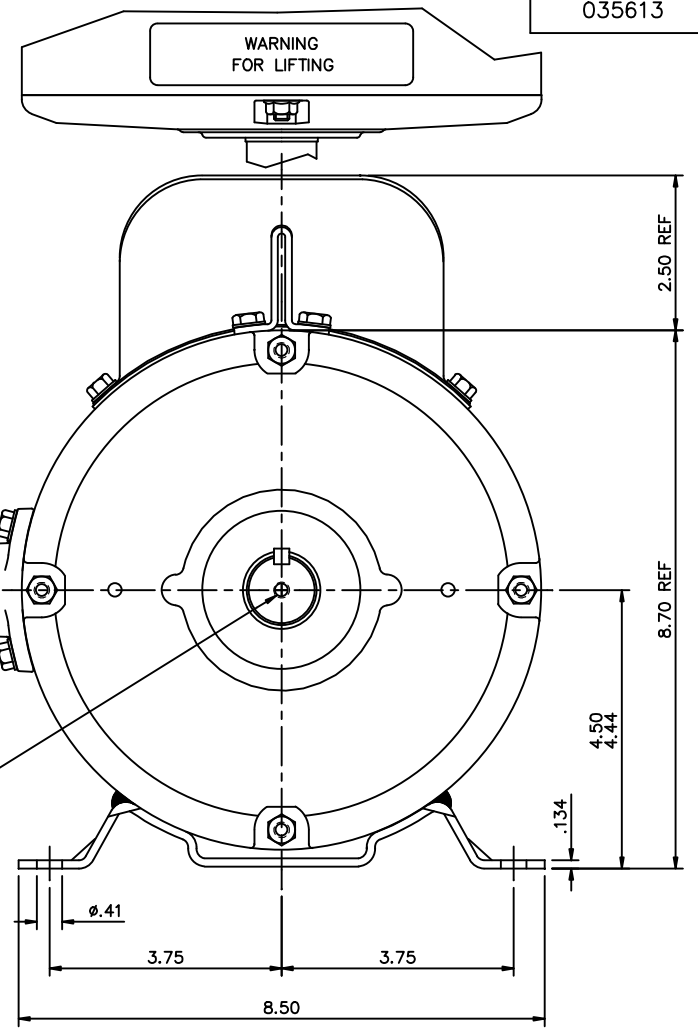


(1) 3/4-14 NPT
 1/4-20 UNC-2B
 X .75 DEEP MIN.



GASKETS THROUGHOUT

DASH NO.	"C"	"AD"
950	13.88	6.44
1000	14.38	6.94
1050	14.88	7.44
1100	15.38	7.94
1150	15.88	8.44
1200	16.38	8.94
1250	16.88	9.44

TOLERANCES UNLESS SPECIFIED	
DEC.	INCHES
.X	±.1
.XX	±.03
.XXX	±.005
.XXXX	±.0005
NO.	REVISION
CHK	ANG ±1/2'



TITLE: OUTLINE - 184T FRAME
 DRIP PROOF - RIGID MOUNT

DRAWN KVN 01/23/2007
CHK
APPD
SCALE 1=2
REF 035562
FMF 184TBDW7009
PREV
SIZE B
DRAWING NO. 035613
REV.

THIS DRAWING IN DESIGN AND DETAIL IS OUR PROPERTY AND MUST NOT BE USED EXCEPT IN CONNECTION WITH OUR WORK ALL RIGHTS OF DESIGN AND INVENTION ARE RESERVED THIS IS AN ELECTRONICALLY GENERATED DOCUMENT - DO NOT SCALE THIS PRINT