

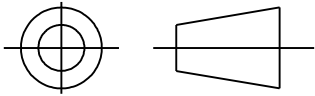
SHEET

REV

52A109664 2

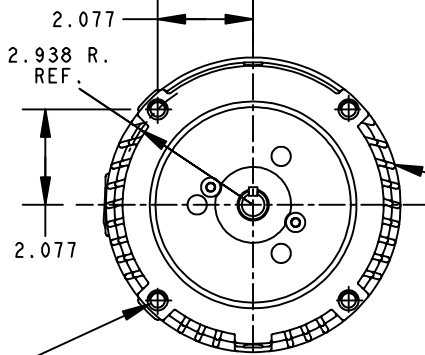
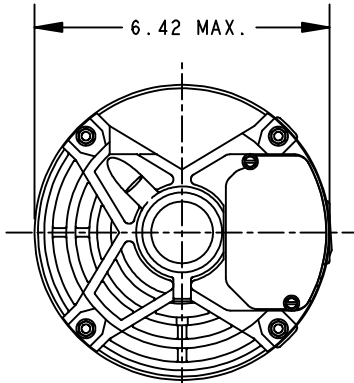
SIZE DRAWING NO.
A

THIRD ANGLE PROJECTION

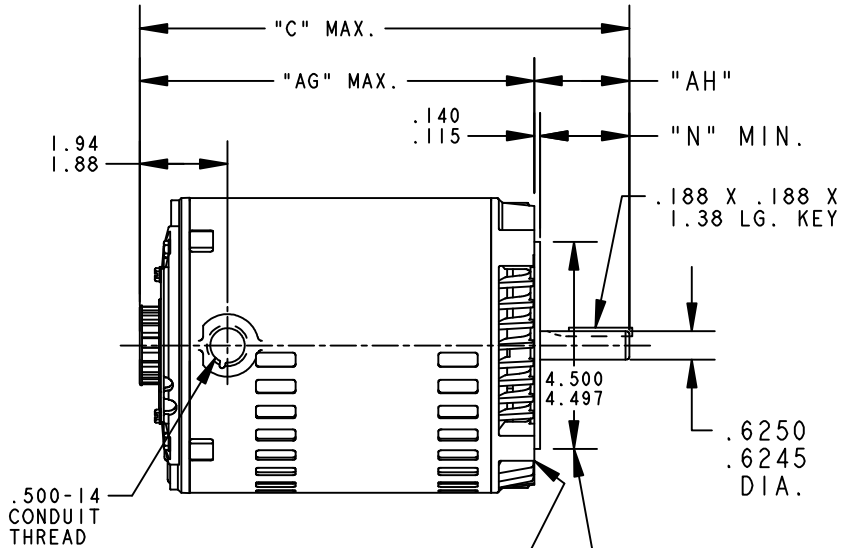


REVISIONS

REV.	DESCRIPTION	DATE	APPROVED
1	CORRECTED OPE ENDSHIELD & KEY.	10/10/94	M.D. PAPE
2	CHG TO RBC FORMAT PER ISO5-1777	03/22/06	SUDHA



.375-16UNC-2B (4 HOLES) .70 MIN. FULL THREAD. THESE HOLES FIT A GAGE HAVING A RABBIT 4.5005 DIA. AND 4 PINS .2917 DIA. LOCATED ON THE BASIC HOLE POSITION



FACE RUNOUT (WITH INDICATOR MOUNTED STATIONARY, RELATIVE TO SHAFT) MUST NOT EXCEED .004 T.I.R.

ECCENTRICITY OF THIS SURFACE (WITH INDICATOR MOUNTED STATIONARY, RELATIVE TO SHAFT) MUST NOT EXCEED .004 T.I.R.

VIEW OF P.E. END SHIELD

ALL DIMENSIONS ARE IN INCHES

I	K-KH	49	56CZ	13.59	11.10	2.25	2.39 2.27		8.99
P	TYPE	GE SIZE	NEMA FR.	"C"	"AG"	"N"	"AH"		MIN. SHELL

SIGNATURES

DATE

MODEL MA MARKS 08/17/94

DETAIL . .

CHECKED . .

ENGRG . .

MFG . .

QUALITY . .

ISSUED M.A.M. 08/17/94

SOLID MODEL: 52A109664



REGAL-BELOIT CORPORATION

TITLE

OUTLINE

GENERAL PURPOSE MOTOR - DRIP PROOF - BALL BEARING R2 END MOUNTED

FOR ADDITIONAL INFO REFER TO:
APPLIED PRACTICES
DIMENSIONS ARE IN INCHES

SIZE DRAWING

A

52A109664

REV

2

SCALE: 0.250

REF. No: .

SHEET 1 of 1