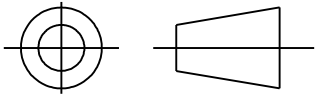


THIRD ANGLE PROJECTION

REVISIONS



REV.	DESCRIPTION	DATE	APPROVED
1	REMOVED SOLID BASE PER IS07-2963	02/05/08	BOMMU

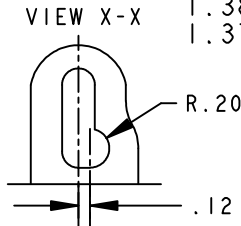
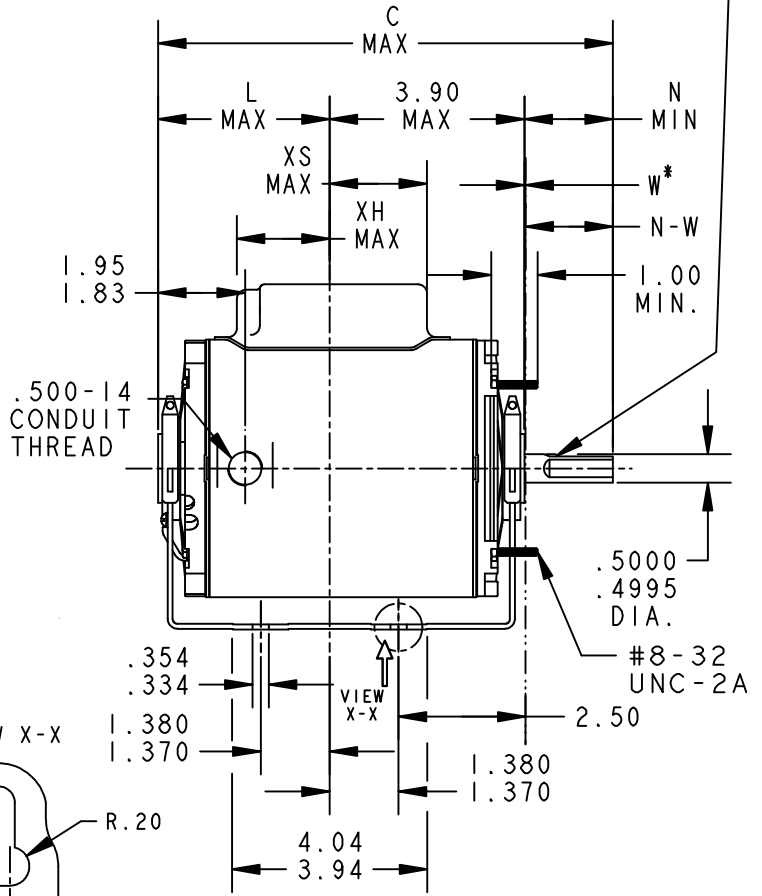
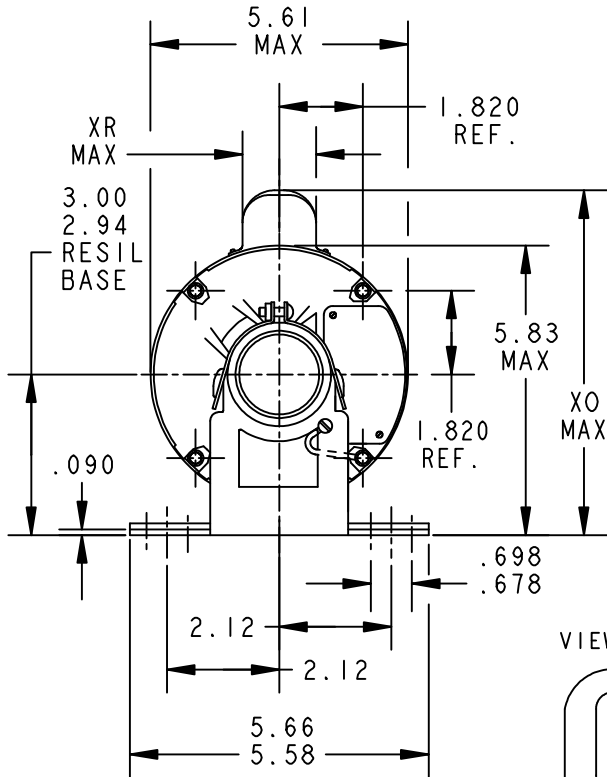
SHEET 1

REV 52A113014 0

CONTROL SURFACES & DIMENSIONS

- (P) PROCESS
- (E) ENGINEERING
- (A) APPLICATION
- (R) REGULATORY

.458 / .448 X (K)
LONG - 2 FULL
FLATS 90° APART



ENLARGED VIEW OF SLOT

* W IS A CLEARANCE DUE TO VARIATION IN PARTS AND ASSEMBLY.

2	KCP	36	48Z	11.00	2.16	4.65	2.50	2.63/2.41	2.54	7.93	2.22	2.35
1	KCP	35	48Z	10.57	2.16	4.22	2.50	2.63/2.41	2.97	7.93	2.22	2.53
PT	TYPE	RBC SIZE	NEMA FR	C	K	L	N	N-W	XH	XO	XR	XS

SIGNATURES		DATE
MODEL	VINAY	12/13/07
DETAIL	.	.
CHECKED	.	.
ENGRG	.	.
MFG	.	.
QUALITY	.	.
ISSUED	VINAY	13/12/07
SOLID MODEL: 52A113014		



REGAL-BELOIT CORPORATION

TITLE
OUTLINE
FORM N-GENERAL PURPOSE MOTOR-TENV RESIL BASE
BALL OR SLEEVE BEARING - EXT. CLP. SCREWS

FOR ADDITIONAL INFO REFER TO:
APPLIED PRACTICES
DIMENSIONS ARE IN INCHES ✓
MATERIAL

SIZE DRAWING
A
52A113014 REV **0**
SCALE: 1.000 REF. No: . SHEET 1 of 1