

THIRD ANGLE PROJECTION

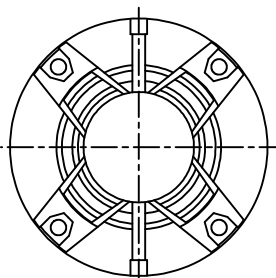
REVISIONS			
REV.	DESCRIPTION	DATE	APPROVED
5	CHG TO RBC FORMAT PER IS 05-1777	12/15/05	RAJKUMAR

SHEET 1

REV 5

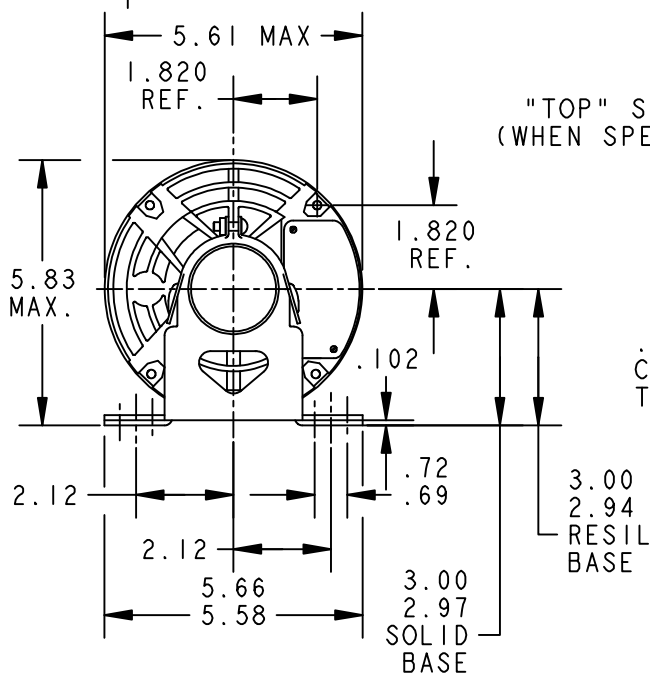
52A101901

SIZE DRAWING NO. A



VIEW SHOWING PE VENTILATION OPENINGS

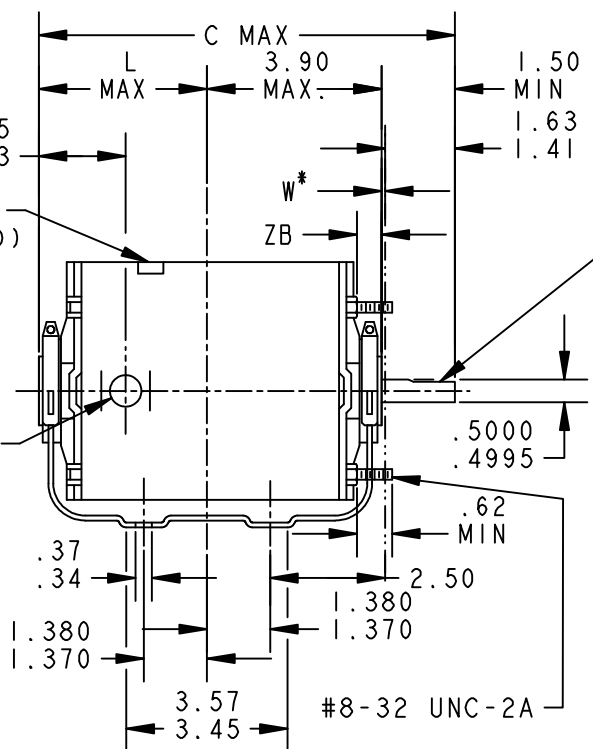
.05 X 1.16 LG. FULL FLAT



"TOP" STICKER (WHEN SPECIFIED)

.500-14 CONDUIT THREAD

3.00
2.94
RESIL BASE



*W IS A CLEARANCE DUE TO VARIATION IN PARTS & ASSEMBLY.

3	KH	33	48	9.19	3.84	.55 / .52								
2	KH	32	48	8.94	3.59	.55 / .52	5	KH	37	48	10.40	5.05	.55 / .52	
1	KH	35	48	9.57	4.22	.55 / .52	4	KH	36	48	10.00	4.65	.55 / .52	
PT	TYPE	GE SIZE	NEMA FR	C	L	ZB	PT	TYPE	GE SIZE	NEMA FR	C	L	ZB	

SIGNATURES		DATE				REGAL-BELOIT CORPORATION OUTLINE FORM G- GENERAL PURPOSE MOTOR- DRIP PROOF- SOLID OR RESIL BASE- BALL OR SLEEVE BEARING								
MODEL	.	.	.											
DETAIL	WFF	12/22/75	.	TITLE										
CHECKED	.	.	.	SIZE DRAWING										
ENGRG	.	.	.	A		52A101901								
MFG	.	.	.	SCALE: 0.250		REF. No: .								
FOR ADDITIONAL INFO REFER TO:	QUALITY			ISSUED		MDP		07/10/96		SHEET 1 of 1		REV 5		
APPLIED PRACTICES	SOLID MODEL: 52A101901													

