

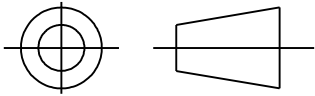
SHEET

REV

52A113024 0

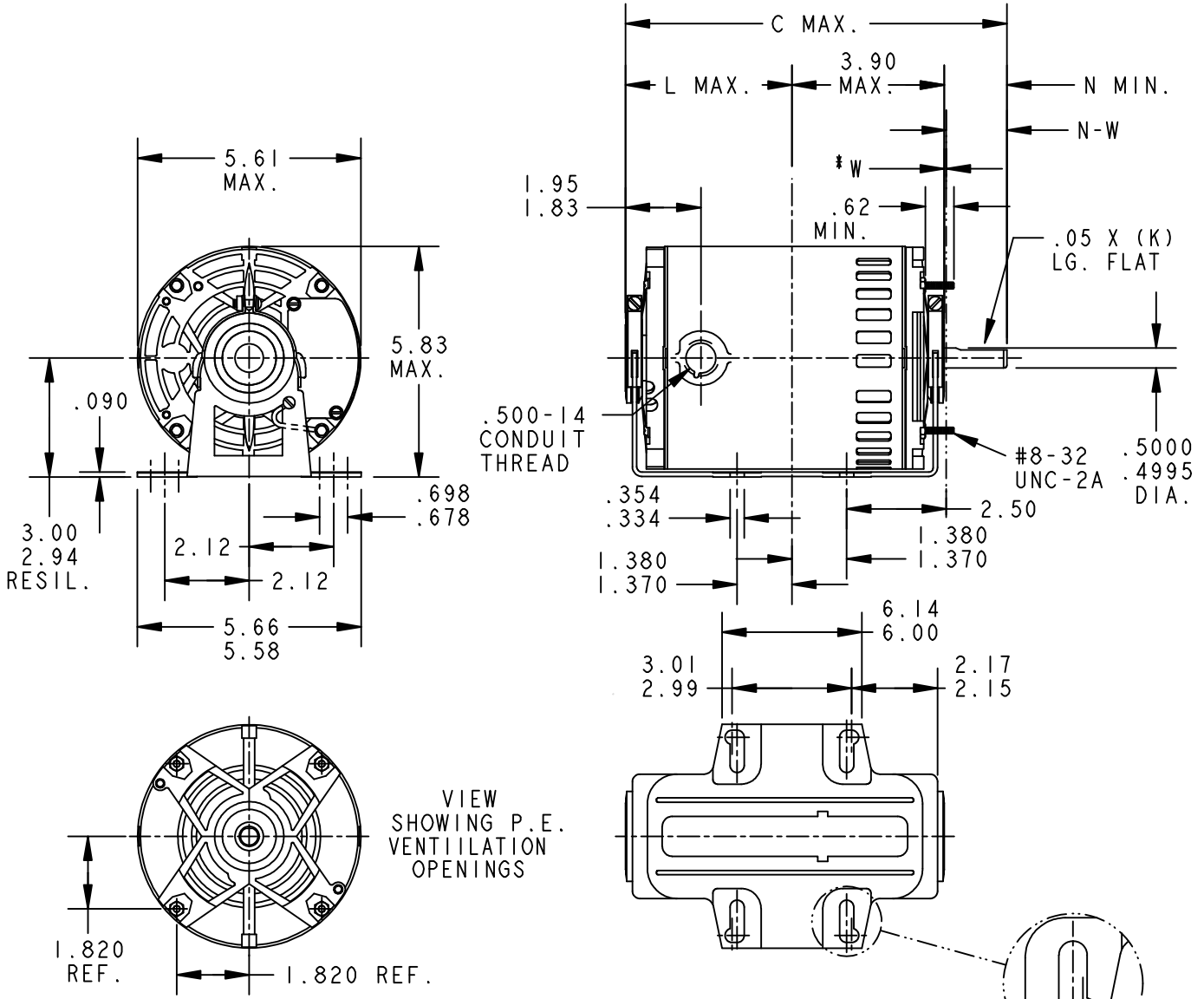
SIZE DRAWING NO. A

THIRD ANGLE PROJECTION




REVISIONS

REV.	DESCRIPTION	DATE	APPROVED



P	TYPE	RBC SIZE	NEMA FR	C	K	L	N	N-W
2	K KH	32	48Y	9.69	1.91	3.59	2.25	2.38/2.16
I	K KH	35	48Y	10.32	1.91	4.22	2.25	2.38/2.16

W\* IS A CLEARANCE DUE TO VARIATION IN PARTS AND ASSEMBLY.

FOR ADDITIONAL INFO REFER TO: APPLIED PRACTICES DIMENSIONS ARE IN INCHES ✓ MATERIAL	SIGNATURES		DATE	 <p><b>REGAL-BELOIT CORPORATION</b></p> <p>TITLE</p> <p><b>OUTLINE</b></p> <p><b>FORM N - GENERAL PURPOSE MOTOR - DRIP PROOF - RESIL.</b></p> <p><b>BASE - BALL OR SLEEVE BEARING - SPECIAL MOUNTING HOLES IN BASE</b></p>
	MODEL	PRAVEEN.K	01/03/08	
	DETAIL	.	.	
	CHECKED	.	.	
	ENGRG	.	.	
MFG	.	.		
QUALITY	.	.		
ISSUED	PRAVEEN.K	01/03/08	SIZE DRAWING <b>A</b>	
SOLID MODEL: 52A113024			SCALE: 1.000 REF. No: .	SHEET 1 of 1