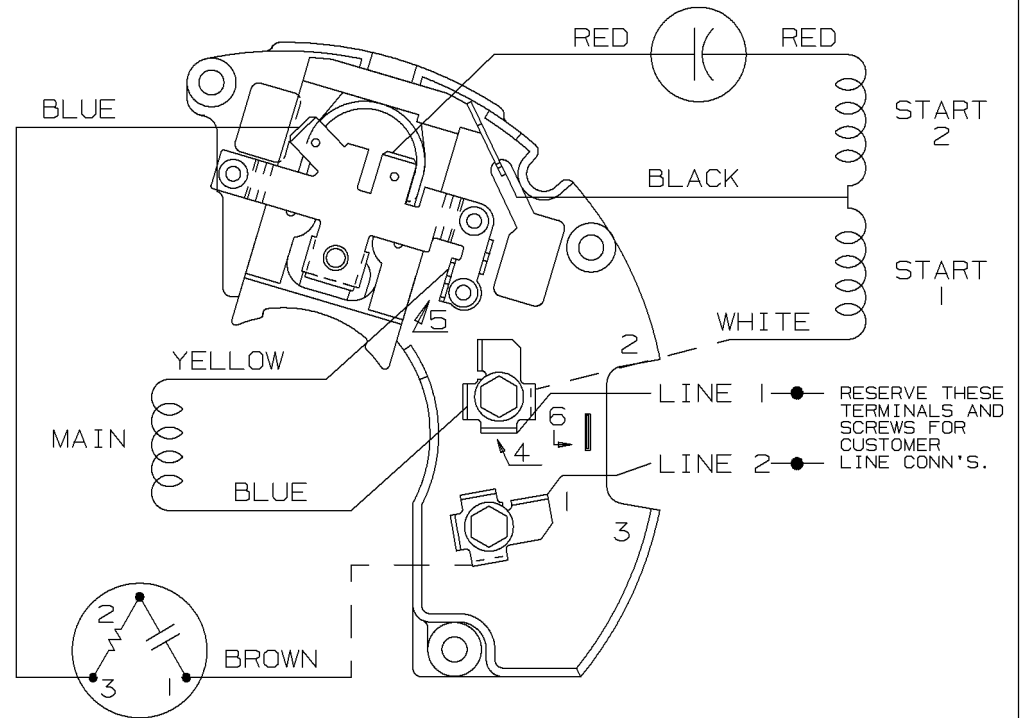
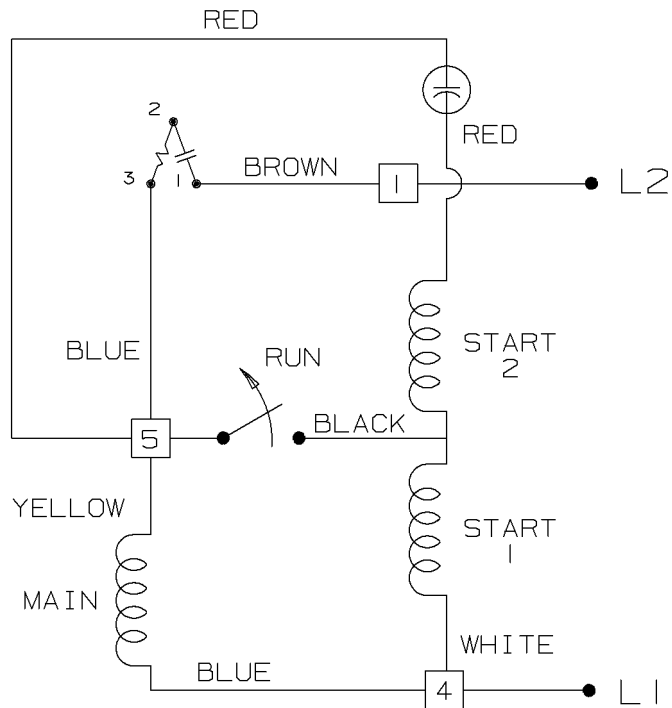


SINGLE VOLTAGE - SPLIT PHASE/CAP RUN
 REVERSIBLE ON TERM BOARD
 WITH OVERLOAD PROTECTION



VIEWING TERMINAL END

C.C.W. ROTATION SHOWN.

FOR C.W. ROTATION INTERCHANGE
 YELLOW & BLUE LEADS ON TERM 5 & 4.

DASH LINES INDICATE LEADS CONNECTED
 TO MOTOR SIDE OF SWITCH.

				✓ MAX. SURFACE ROUGHNESS UNLESS NOTED OTHERWISE	UNLESS OTHERWISE SPECIFIED DIMENSIONS ARE IN INCHES TOL. ON XX± .02 XXX± .005 XXXX± .0005 ANGLES± 7'30"		
2	01-29-1993	CCW ROTATION SHOWN WAS CW, L2 TO TERM 1 & L1 TO TERM. 4 CNI5220	RM	MATL SPEC		DRAWN BY RM	12-15-1992
				FINISH		CHKD BY ML	12-16-1992
1	12-17-1992	NEW DRAWING	RM	REFERENCE DRW.	WAUSAU, WISCONSIN 54401	APPD BY GK	12-16-1992
REV	DATE	CHANGE	NAME	PART NAME CONNECTION DIAGRAM			DRWG NO A-EE9100A

SHOP BOOK

PURCHASED

DISTRIBUTION - WA - LB - WP - LM - BR

CADD FILE NO.

EE9100A