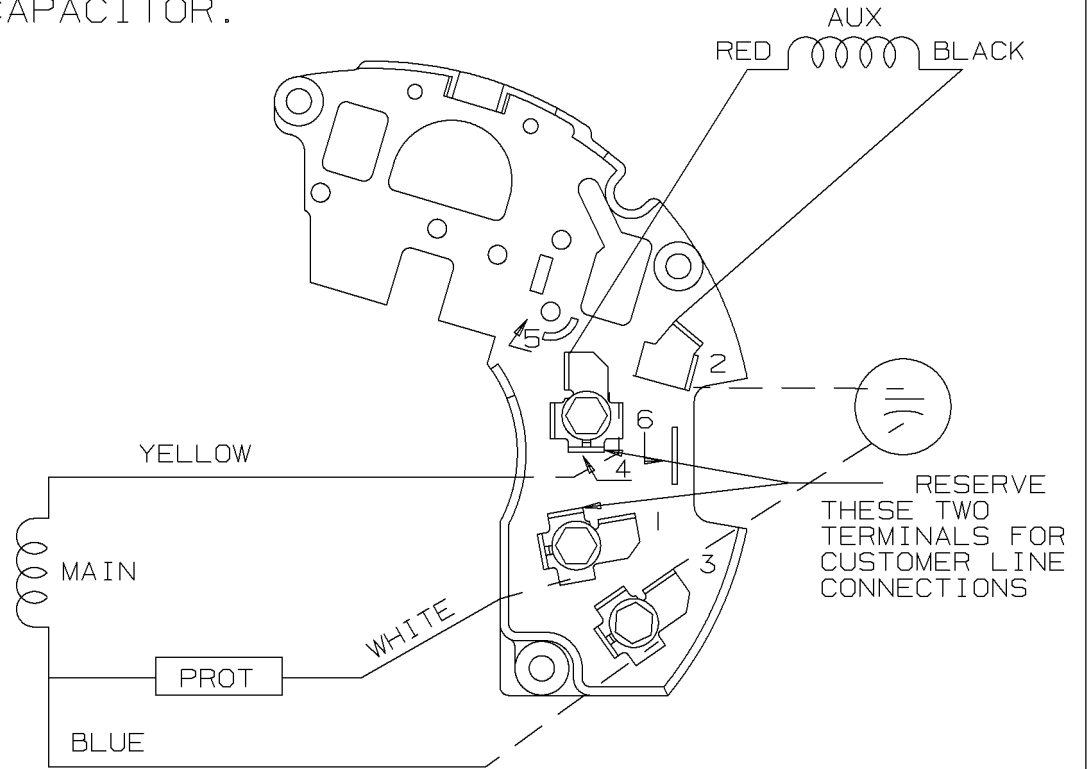
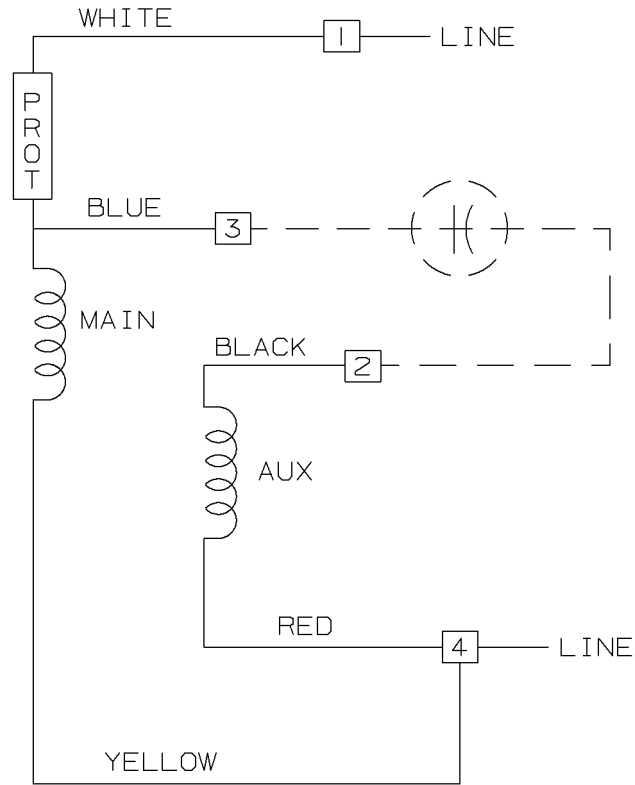


A- EE9022MV

SINGLE VOLTAGE PERMANENT SPLIT CAPACITOR.
REVERSIBLE ON TERM. BOARD.



CCW ROTATION SHOWN
TO REVERSE ROTATION, INTERCHANGE
BLACK WITH RED ON TERMINALS
2 AND 4.

				✓ MAX. SURFACE ROUGHNESS UNLESS NOTED OTHERWISE	UNLESS OTHERWISE SPECIFIED DIMENSIONS ARE IN INCHES TOL. ON XX± XXX±.005 XXXX±.0005 ANGLES±		
				MATL SPEC			DRAWN BY MSG 06-20-2000
				FINISH			CHKD BY ML 06-20-2000
3	06-20-2000	REDRAWN ON CAD	MSG	REFERENCE DRW.			WAUSAU, WISCONSIN 54401
REV	DATE	CHANGE	NAME	PART NAME 48 FR. CONNECTION DIAGRAM			DRWG NO A- EE9022MV

SHOP BOOK

PURCHASED

DISTRIBUTION - WA - LB - WP - LM - BR

CADD FILE NO.

EE9022MV