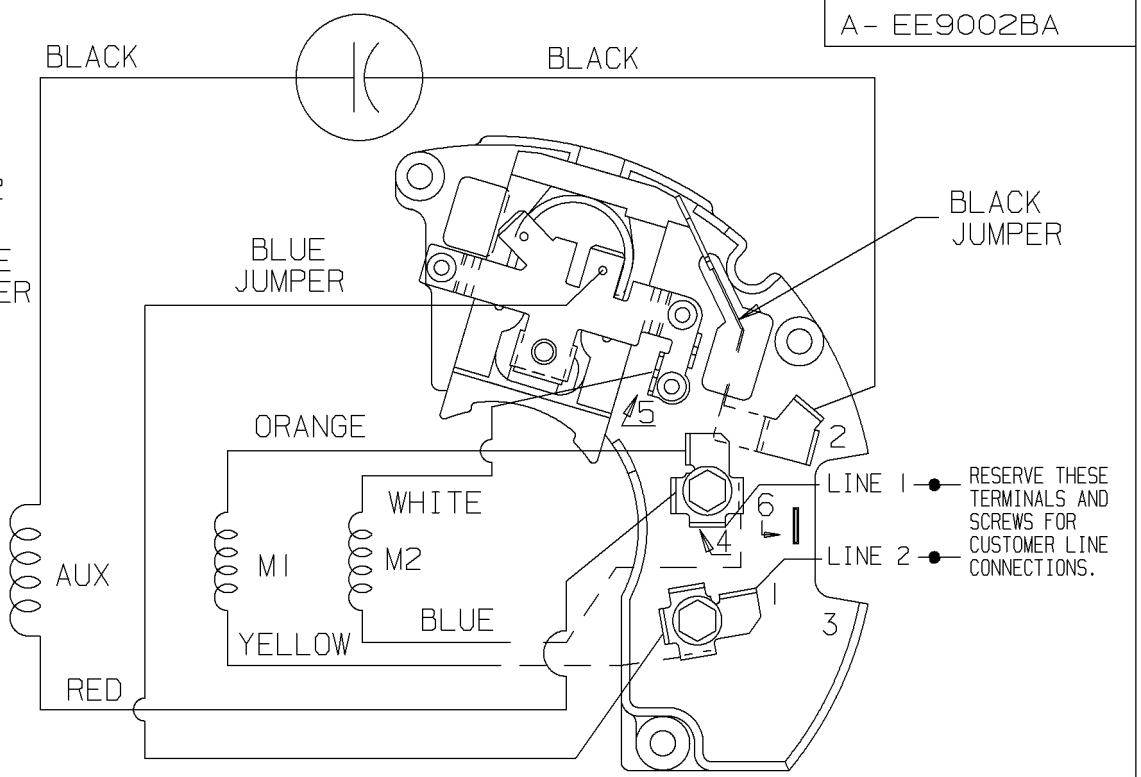
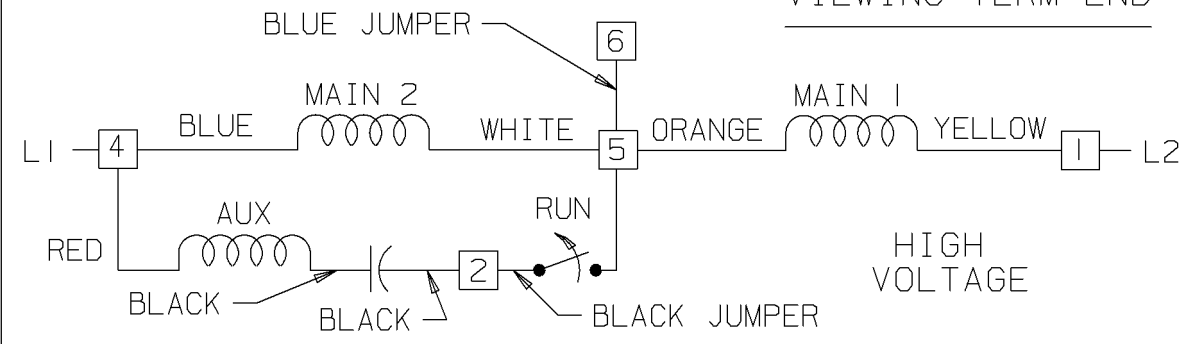


DUAL VOLTAGE CAPACITOR START REVERSIBLE ON TERM BOARD NO OVERLOAD PROTECTION



VIEWING TERM END



LOW VOLTAGE CCW ROTATION SHOWN

FOR HIGH VOLTAGE:
CONNECT BLUE TERM 1 TO TERM 6,
CONNECT ORANGE TERM 4 TO TERM 5.

TO REVERSE ROTATION EITHER VOLTAGE INTERCHANGE RED LEAD WITH BLACK LEAD

				✓ MAX. SURFACE ROUGHNESS UNLESS NOTED OTHERWISE	UNLESS OTHERWISE SPECIFIED DIMENSIONS ARE IN INCHES TOL. ON XX± XXX±.005 XXXX±.0005 ANGLES±		
				MATL SPEC		DRAWN BY CAE	06-15-1999
				FINISH		CHKD BY ML	06-16-1999
					WAUSAU, WISCONSIN 54401	APPD BY TOM	06-21-1999
REV	DATE	CHANGE	NAME	PART NAME CONNECTION DIAGRAM 48 FR. DUAL VOLTAGE REVERSIBLE			DRWG NO A- EE9002BA

	SHOP BOOK	PURCHASED	DISTRIBUTION - WA - LB - WP - LM	CADD FILE NO.	EE9002BA
--	-----------	-----------	----------------------------------	---------------	----------