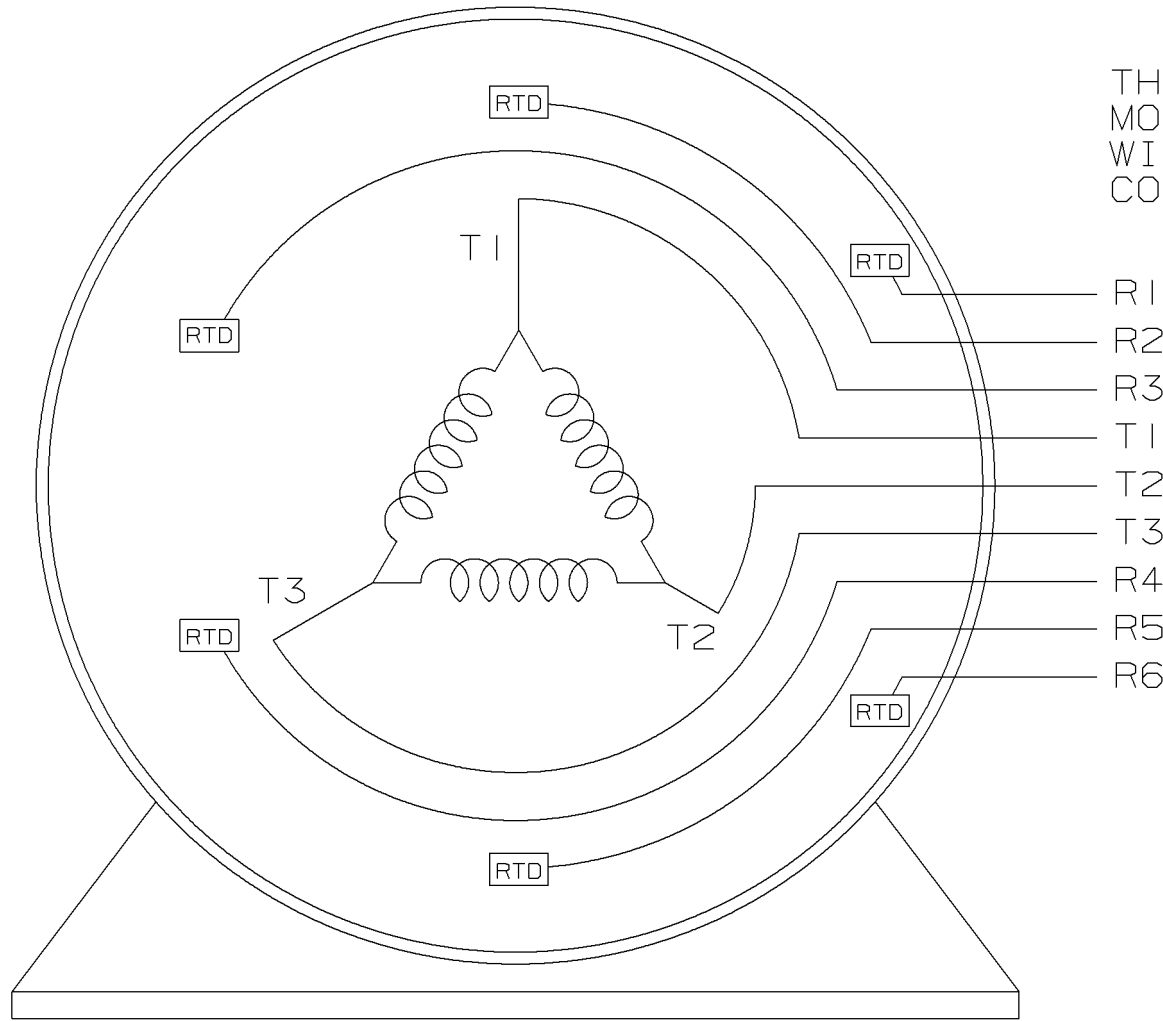


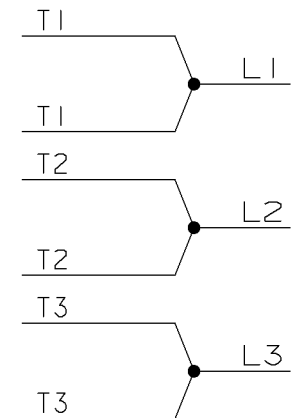
THREE PHASE - SINGLE VOLTAGE
 MOTOR OR INDUCTION GENERATOR
 WITH 6 RTD'S - 2 PER PHASE
 CONDUIT BOX AT 'A'

TO REVERSE ROTATION:
 INTERCHANGE ANY TWO
 LINE LEAD CONNECTIONS.



VIEW OF TERMINAL END

IF MOTOR OR GEN.
 HAS 6 LEADS



				<input checked="" type="checkbox"/> MAX. SURFACE ROUGHNESS UNLESS NOTED OTHERWISE	UNLESS OTHERWISE SPECIFIED DIMENSIONS ARE IN INCHES TOL. ON XX± XXX±.005 XXXX±.0005 ANGLES±		
				MATL SPEC			DRAWN BY DRS 01-30-2001
				FINISH			CHKD BY ML 01-30-2001
2	01-30-2001	REDRAWN ON CADD	DRS	REFERENCE DRW.	WAUSAU, WISCONSIN 54401		APPD BY GK 01-30-2001
REV	DATE	CHANGE	NAME	PART NAME CONNECTION DIAGRAM SINGLE VOLT - 3Ø MOTOR			DRWG NO A- EE7300BM

SHOP BOOK

PURCHASED

DISTRIBUTION - WA - LB - WP - LM - BR

CADD FILE NO.

EE7300BM