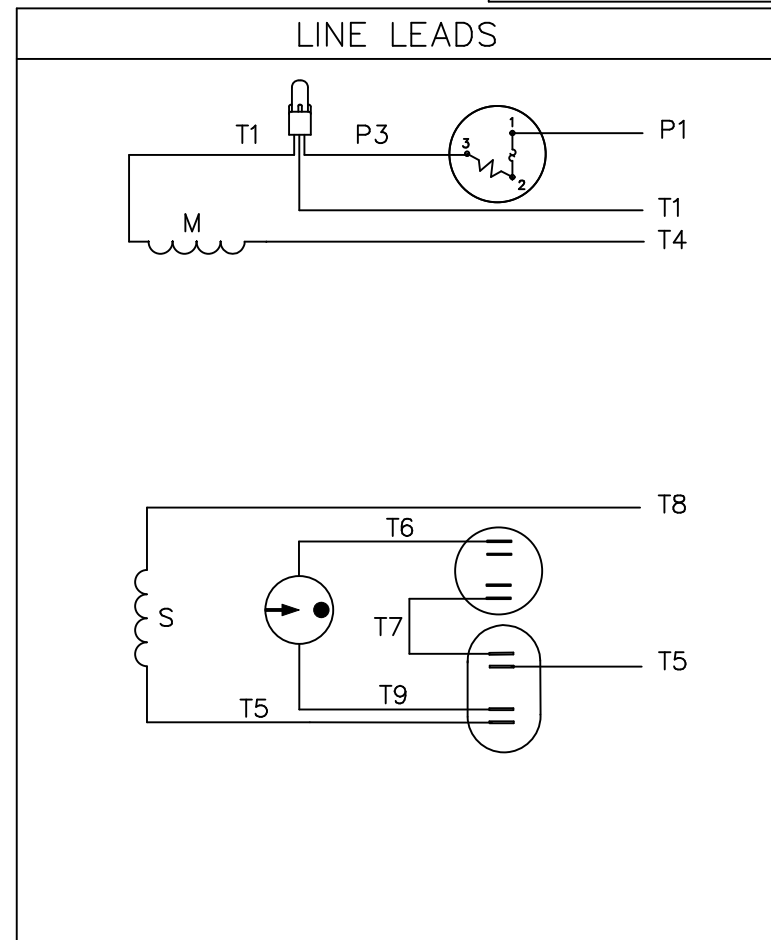
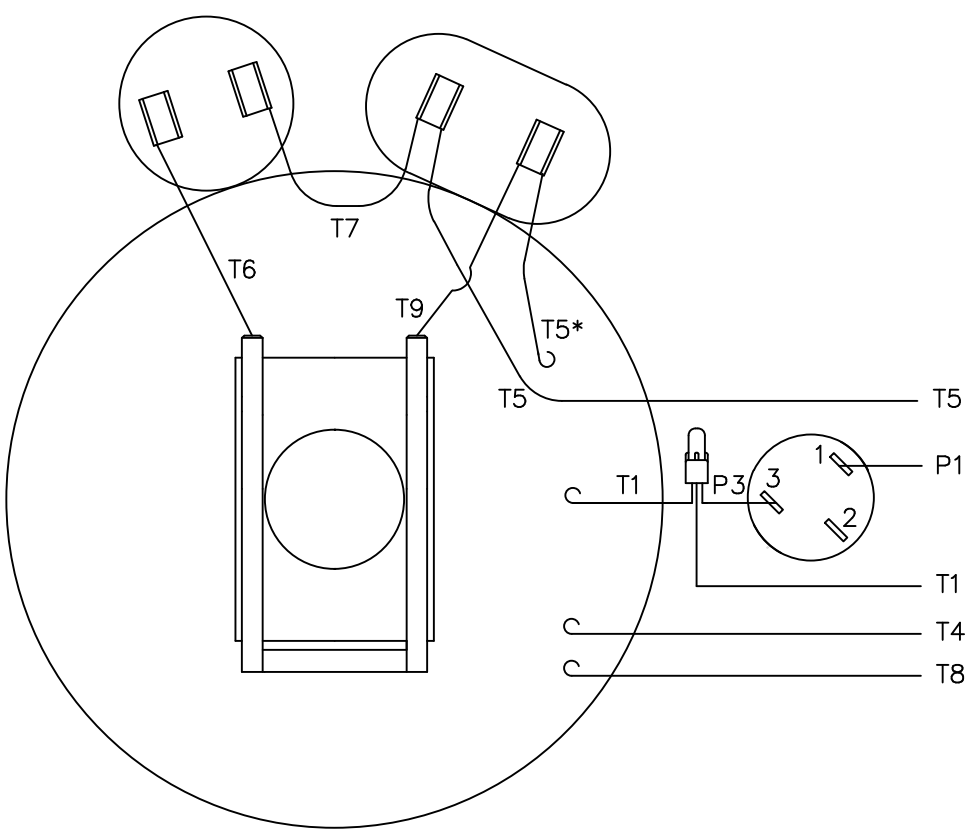


VIEW FROM OUTSIDE OF MOTOR AT SWITCH END.



ROTATION FACING LEAD END	L1	L2	JOIN
C.C.W.	P1	T4, T5	T1, T8
C.W.	P1	T4, T8	T1, T5

* THIS LEAD MAY BE WHITE

		TOLERANCES UNLESS SPECIFIED		REGAL-BELOIT <i>Motor Technologies</i> TITLE EXTERNAL WIRING DIAGRAM TYPE "K" W/ PROTECTOR MAT'L. DECAL - 004015 FINISH		DRAWN LST 9/9/03		
		DEC.	INCHES			CHK KH 9/9/03		
		.X	±.1			APPD		
		.XX	±.01			SCALE 1=1		
		.XXX	±.005			REF		
		.XXXX	±.0005	MAT'L. DECAL - 004015		FMF 139045		
NO.	REVISION	BY & DATE	CHK	ANG	±1/2'	PREV		
THIS DRAWING IN DESIGN AND DETAIL IS OUR PROPERTY AND MUST NOT BE USED EXCEPT IN CONNECTION WITH OUR WORK ALL RIGHTS OF DESIGN AND INVENTION ARE RESERVED THIS IS AN ELECTRONICALLY GENERATED DOCUMENT - DO NOT SCALE THIS PRINT			RFP	CAD FILE 00505603ME		SIZE A	DRAWING NO. 005056-03ME	REV.
			DIST BRF-NLV					