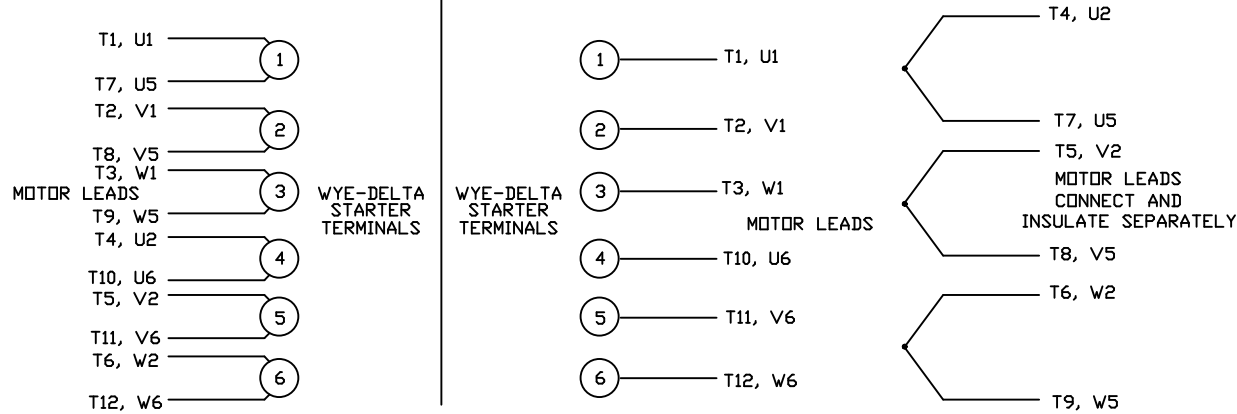


WYE - DELTA STARTING USEABLE ON 2,4 AND 6 POLE MOTORS.

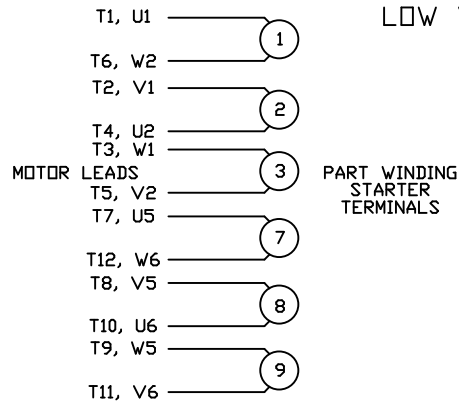
LOW VOLTAGE CONNECTION

HIGH VOLTAGE CONNECTION



REFER TO THE WYE-DELTA STARTER CONNECTION INSTRUCTIONS FOR PROPER CONNECTION OF POWER LINES TO STARTER.

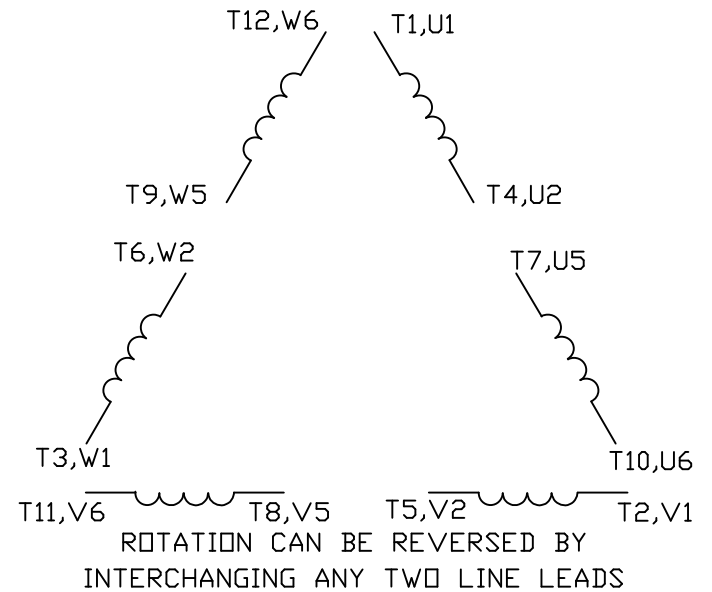
PART WINDING START USABLE ON 4 & 6 POLE MOTORS
LOW VOLTAGE CONNECTION ONLY



REFER TO THE PART WINDING STARTER INSTRUCTIONS FOR PROPER CONNECTION OF POWER LINES TO STARTER.

REFER TO THE CUTLER - HAMMER OR EQUIV. FOR PROPER SELECTION OF OVERLOAD HEATER COILS.

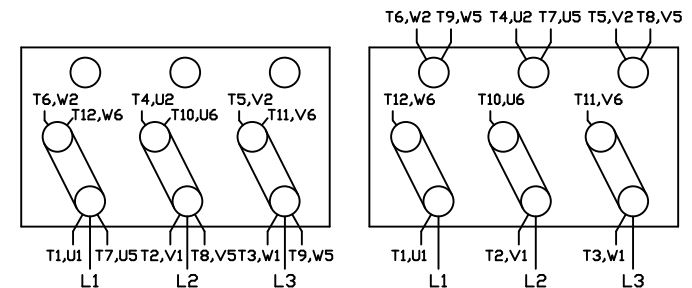
LINE LEADS



12 LEAD DELTA CONNECTION ACROSS THE LINE START
(FOR Y START DELTA RUN, REMOVE THE JUMPERS)

LOW VOLTAGE
(MUST BE REWIRED
AS SHOWN)

HIGH VOLTAGE
(FACTORY WIRED FOR HIGH
VOLTAGE AS SHOWN)



TOLERANCES
UNLESS SPECIFIED

DEC. INCHES

.X ±.1

.XX ±.01

.XXX ±.005

.XXXX ±.0005

ANG ±1/2*



TITLE DELTA - WYE CONNECTION DIAGRAM
IEC CAST IRON MOTORS

MAT'L.

FINISH

DRAWN CJW 08/28/02

CHK

APPD

SCALE 1=1

REF

FMF

PREV

NO. REVISION BY & DATE

CHK

RFP

DIST

CAD FILE 00417203ME

SIZE DRAWING NO.

A 004172-03ME

REV.

THIS DRAWING IN DESIGN AND DETAIL IS OUR PROPERTY AND MUST NOT BE USED EXCEPT IN CONNECTION WITH OUR WORK ALL RIGHTS OF DESIGN AND INVENTION ARE RESERVED THIS IS AN ELECTRONICALLY GENERATED DOCUMENT - DO NOT SCALE THIS PRINT